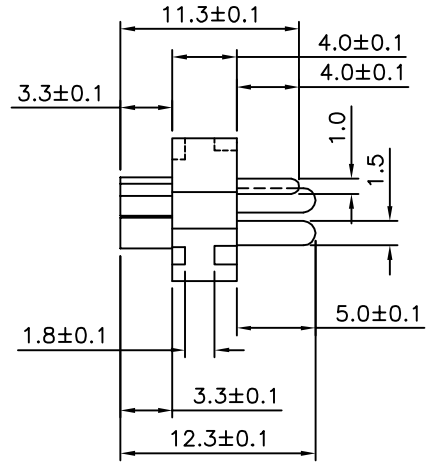
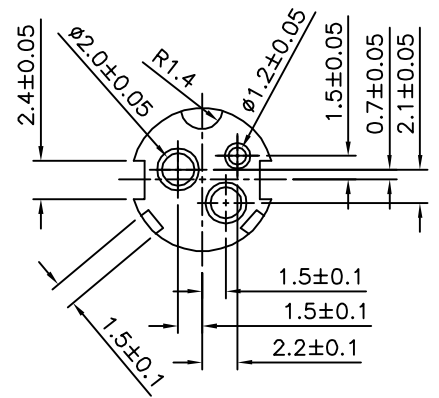
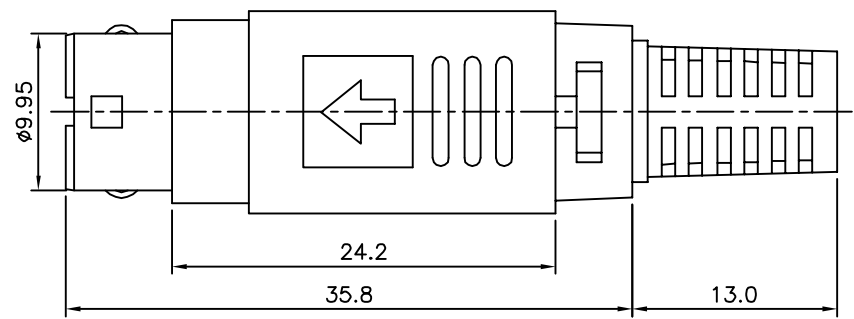
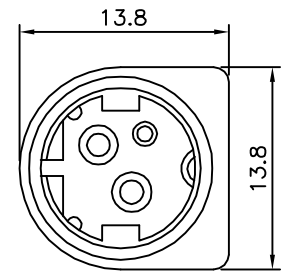


SPECIFICATION

Rating Current:7.5A DC Max.
 Rated Voltage:20V DC Max.
 Operation Temperature:-20°C~+85°C
 Housing:PBT(UL94V-0)
 Contact:Copper Alloy,Silver Plated
 Plastic Cover:ABS,Black
 Metal Shell:Copper Alloy,Nickel Plated
 Metal Cap:Copper Alloy,Nickel Plated
 Cable Fixer:Copper Alloy,Tin Plated
 POM Ring:POM
 Spring:Steel,Nickel Plated
 Plastic Tube:ABS
 SR:PVC
 RoHS Compliant

MDP 03 P A - H
 (1) (2) (3) (4) (5)

- (1) MDP:Mini Din Power Jack
- (2) 03:No. Of Position
- (3) P:Male
- (4) A:Solder Wire Assembly Type
- (5) H:RoHS Compliant



AUK A MEMBER OF AUK GROUP
太聯事業股份有限公司
AUK CONTRACTORS CO., LTD.

CATEGORY		APPROVED BY		UNLESS OTHERWISE SPECIFIED TOLERANCES ARE .X ±0.20 .XX ±0.10 .XXX ±0.05 .XXXX ±0.03 ANG. ±1°
PART No. MDPO3PA-H		EMILY		
DRAWING No. MDPO3PA-H		CHECKED BY HZF		
SCALE NONE		DRAWING BY SONG		
REV.	A0	UNIT mm		

NO.	REV.	REVISIONS	CHK	DATE
△ A0		NEW RELEASE	HZF	01/22/2014