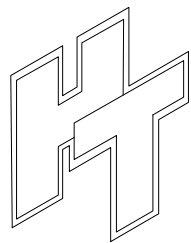
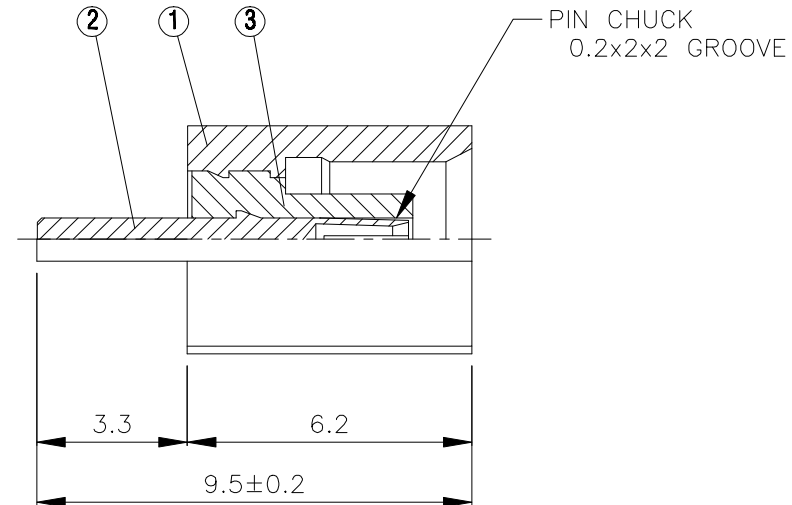
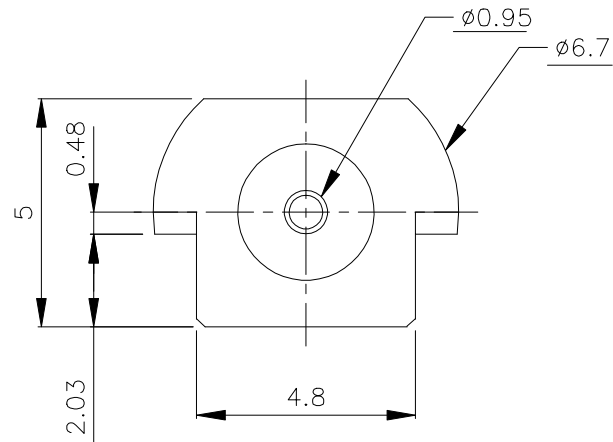
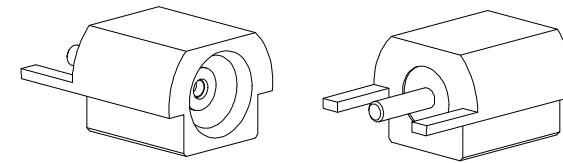


NO	DESCRIPTION	MATERIAL	Q'TY	FINISH	REMARK
1	BODY	BRASS	1	GOLD	B-MCX0097-G
2	PIN	BE CU	1	GOLD	P-MCX0287-G
3	INSULATION	TEFLON	1	TEFLON	I-0240T



HUS-TSAN GROUP CO., LTD.

P.O.BOX 40-76.TAINAN.TAIWAN,R.O.C.

TITLE **MCX FEMALE END LAUNCH RECEPTACLE**

PART NO. **MCX-14-TGG**

DRAWING NO. **MCX 14 TGG**

DRAWN **MARY** DATE **96.04.30**

CHECKED **黃巧君** DATE **96.04.30**

Q.A. **蘇姿潔** DATE

APPROVAL **徐燦霖** DATE

REVISION DATE

DIMENSIONS ARE IN MILLIMETERS

UNLESS OTHERWISE SPECIFIED TOLERANCE

0.5-5=±0.2 120-315=±1

5-30= ±0.4 315-1000=±1.6

30-120=±0.6 1000-2000=±2.4

SCALE 4:1 SIZE A

REVISION

DESCRIPTION ENGINEER

4

3

2

1

D

C

B

A

D

C

B

A