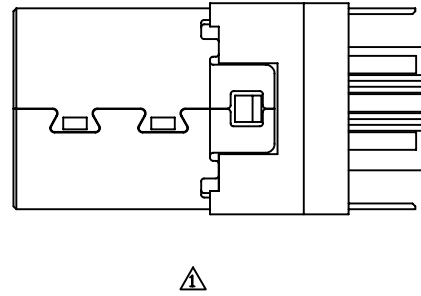
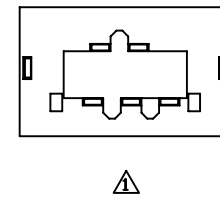
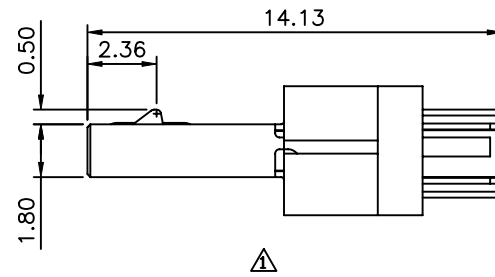
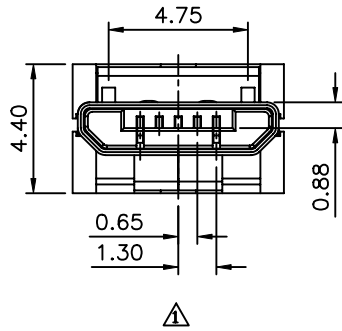
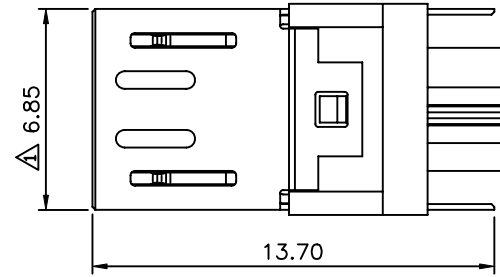


△ SPECIFICATION

Current:1.0A Max.
 Voltage:30V Max.
 Withstanding Voltage:100V AC
 Contact Resistance:30 Milliohms Max.
 Insulation Resistance:100 Megaohms Min.
 Temperature Range:-30°C~+80°C
 Mating Force:35N Max.
 Withdrawal Force:8N Min. Initial
 Durability:10000 Cycles Min.
 Insulator/Back Cup:PBT+30%G.F.(UL94V-0),Black
 Contact:C5191R-EH,
 Gold Plated On Contact Area,
 Tin Plated On Solder Tail,Under Nickel
 Shell:SUS 301R-1/4H,Nickel Plated
 Hook:SUS 301R-EH
 RoHS Compliant



AUK A MEMBER OF AUK GROUP
太聯事業股份有限公司
AUK CONTRACTORS CO., LTD.

CATEGORY		APPROVED BY		UNLESS OTHERWISE SPECIFIED TOLERANCES ARE .X ±0.38 .X* ±2* .XX ±0.25 .XX* ±1* .XXX ±0.13 .XXX* ±0.5*				
PART No. MCSB5BPS-H		MEI						
DRAWING No. MCSB5BPS-H		CHECKED BY HZF						
		DRAWING BY QQJ						
SCALE	NONE	REV.	B1	UNIT mm		NO. REV.	REVISIONS	CHK DATE
						△ B1	Modify Data	HZF 09/20/2010
						△ B0	NEW RELEASE	HZF 27/08/2009