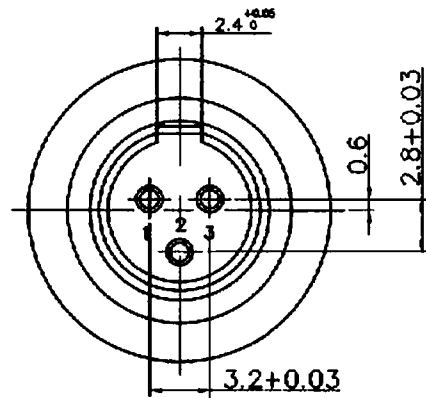
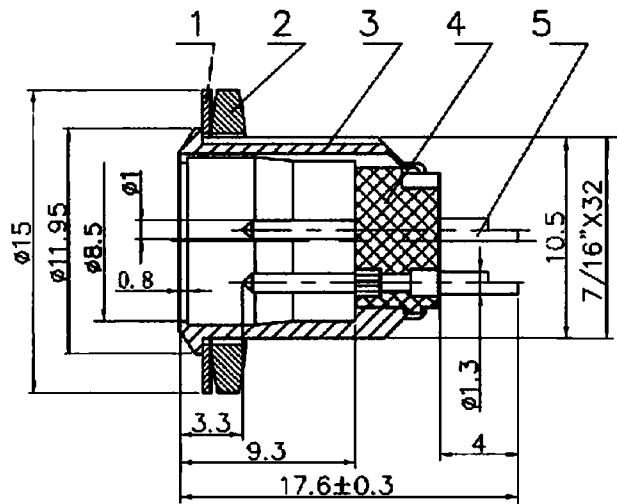
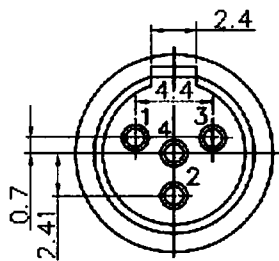
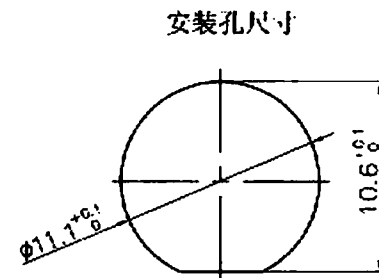


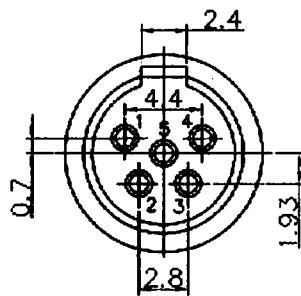
RoHS  
Compliant  
Drawing For  
Reference Only



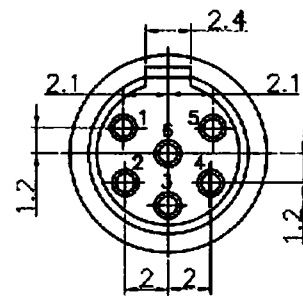
3P



4P



5P



6P

Specification

1. Rating: 5A 50VAC
2. Contact Resistance: 5mΩ Max
3. Insulation Resistance: 1000MΩ min
4. Dielectric Strength: 1000VDC
5. Environment Temperature: - 30℃ ~ +80℃
6. Life Cycle: > 1000 times
7. Dia. of Cable: Φ2 ~ Φ 5 mm
8. Extraction force of single pin: 2lg

Technical requirement :

1. This product should meet EU RoHS related requirement.
2. The surface of plastic part should be without any crackle such as burr,lack,and so on phenomenon.
3. The surface of metal part should be without any defect such as scaur,nick,oxidation and plating problem.
4. The electronic performance should be the same as spec.
5. The un-specified tolerance is : <math>-6\pm 0.2</math>  
<math>6\sim 20\pm 0.3</math>  
<math>>20\pm 0.4</math>

5		插 针	3~6	C3604铜棒	镀 金
4		塑 座	1	PA6+30%玻纤	
3		铜 座	1	C3604铜棒	镀 镍
2		螺 母	1	C3604铜棒	镀 镍
1		垫 圈	1	A3钢	镀 镍
序号	图号	名称	数量	材 料	备 注

**DCI DRAGON CITY INDUSTRIES LIMITED**

Design	K.W Law	Remark	Scale	
Drawing	W.K Yeung	Remark	Material	
Check	K.L Wong	Remark	Drawing No.	A21105-150(R)
Approval	K.W Chan	Remark	Sheet	

Item Name	MINI XLR CONNECTORS	Tolerance :
Item No.	MC-913(3P-6P)-EN	Unit : mm