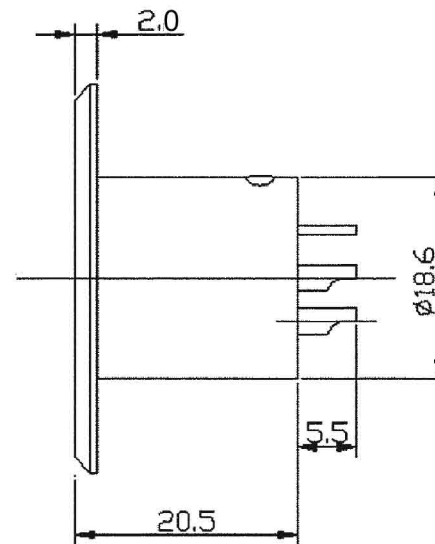
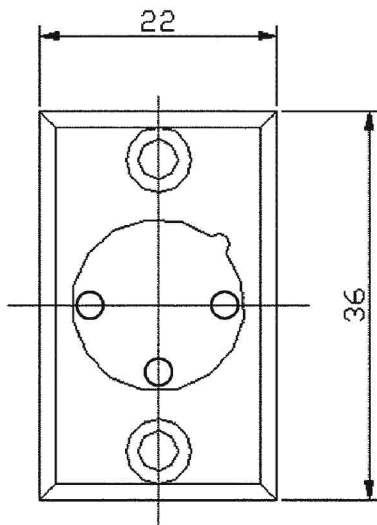
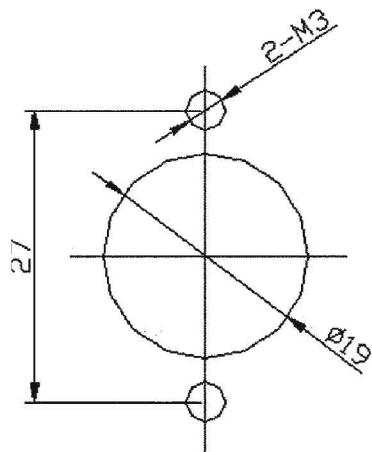


RoHS
Compliant
Drawing For
Reference Only



Technical requirement :

1. This product should meet EU RoHS related requirement.
2. The surface of plastic part should be without any crackle such as burr,lack,and so on phenomenon.
3. The surface of metal part should be without any defect such as scour,nick,oxidation and plating problem.
4. The electronic performance should be the same as spec.

Specification :

- Rated Current : 5A max.
- Contact Resistance : 30m ohm max.
- Insulation Resistance : 100M ohm min. at DC 500V
- Dielectric Strength : AC 500V for one minute.

DCI DRAGON CITY INDUSTRIES LIMITED

Item Name	3P Mike Plug Classis Mount	Tolerance :	Design	K.W Law	Remark		Scale	
Item No.	MC-402-3P-EN-EG	Unit : mm	Drawing	W.K Yeung	Remark		Material	
			Check	K.L Wong	Remark		Drawing No.	A810021106
			Approval	K.W Chan	Remark		Sheet	