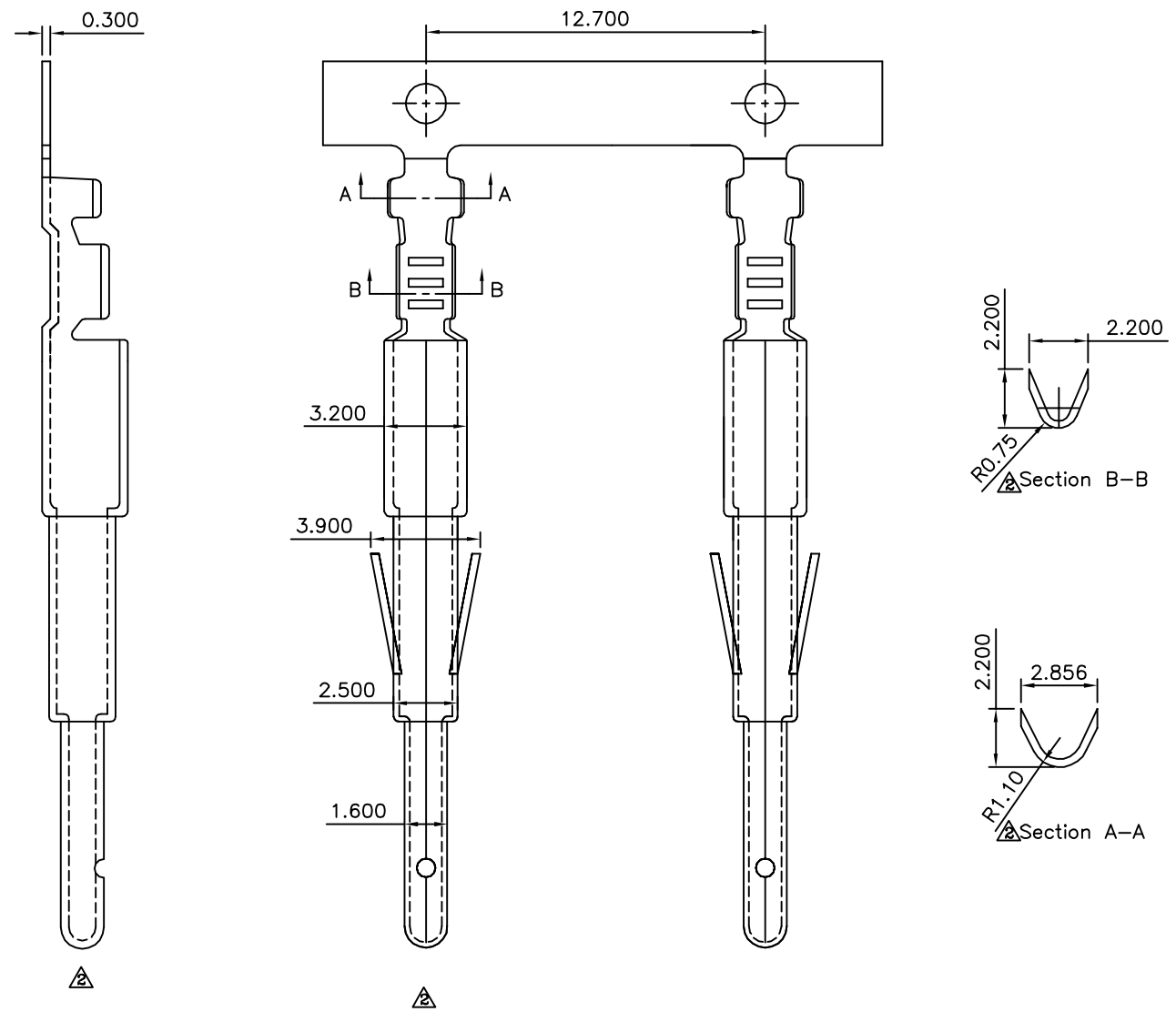


△ SPECIFICATION  
 ▲ Wire Size: 22~28 AWG Crimp Contacts  
 △ Contacts: Brass  
 Q'ty: 2500 PCS/Reel  
 RoHS Compliant

△ M34 M1G XX - H  
 (1) (2) (3) (4)  
 (1) M34:1.905mm V3.5 34 Pin Crimp  
 (2) M1G:Male Terminal 1 Latch  
 (3) XX:Contact Finish  
 Blank:Gold Flash Over All,Over Nickel  
 05:Gold Plated 5u" Over All,Over Nickel  
 (4) H:RoHS Compliant



**AUK** A MEMBER OF AUK GROUP  
**太聯事業股份有限公司**  
**AUK CONTRACTORS CO., LTD.**

CATEGORY		APPROVED BY		UNLESS OTHERWISE SPECIFIED TOLERANCES ARE △.XX ±0.150 .XXX ±0.150 UNIT mm				
PART No. M34M1GXX-H		EMILY			△ A3	Modify P/N:M34M1G-H --> M34M1GXX-H	HZF	05/25/2012
DRAWING No. M34M1GXX-H		HZF			△ A2	Modify Data	HZF	08/11/2011
SCALE NONE		SONG			△ A1	Add Cable AWG	BECKY	05/16/2006
REV.	A3			△ A0	NEW RELEASE	RAN		
NO.	REV.	REVISIONS		CHK	DATE			