



- () Preliminary Specification
- () Final Specification

Module	32.0" Color TFT-LCD
Model Name	M320QAN01.0

Customer	Date
_____	_____
Approved by	
_____	_____
<p>Note: This Specification is subject to change without notice.</p>	

Approved by	Date
<u>Howard Lee</u>	<u>June 25, 2014</u>
Prepared by	Date
<u>Shihhao Wang</u>	<u>June 25, 2014</u>
<p>AU Optronics corporation</p>	

Contents

1 Handling Precautions	6
2 General Description	7
2.1 Display Characteristics	7
2.2 Absolute Maximum Rating of Environment	7
2.3 Optical Characteristics	9
3 TFT-LCD Module	14
3.1 Block Diagram	14
3.2 Interface Connection	15
3.2.1 Connector Type	15
3.2.2 Connector Pin Assignment	15
3.3 Electrical Characteristics	18
3.3.1 Absolute Maximum Rating	18
3.3.2 Recommended Operating Condition	18
3.4 Signal Characteristics	18
3.4.1 LCD Pixel Format	19
3.4.2 eDP Data Format	20
3.4.3 Color versus Input Data	21
3.4.4 eDP Specification (Follow as VESA DisplayPort Standard Version 1.2)	22
3.4.5 Input Timing Specification	22
3.5 Power ON/OFF Sequence	24
4 Backlight Unit	25
4.1 Block Diagram	25
4.2 Interface Connection	26
4.2.1 Connector Type	26
4.3 Electrical Characteristics	28
4.3.1 Absolute Maximum Rating	29
4.3.2 Recommended Operating Condition	29
5 Reliability Test	30
6 Shipping Label	31
7 Mechanical Characteristics	33
8 Packing Specification	34
8.1 Packing Flow	34
8.2 Pallet and shipment information	35

Record of Revision

Version	Date	Page	Old description	New Description	Remark																																																																																																																																																					
0.1	2013/8/16	All	First version release	-																																																																																																																																																						
0.2	2013/11/26	P6	TBD (Typ.) LCD module: PDD (Typ.)=TBD @ white pattern, 60Hz, 12V Backlight unit : PBLU (Typ.) =38.9 @Is=130mA	52W (Typ.) LCD module: PDD(Typ.)=10.8W @white pattern,60Hz, 12V Backlight unit : PBLU (Typ.) =41.2 W@Is=120mA																																																																																																																																																						
		P6	TBD	Update weight of panel																																																																																																																																																						
		P8	Color Coordinates <table border="1"> <tr><td>Red x_c</td><td>0.624</td><td>0.654</td><td>0.684</td></tr> <tr><td>Red y_c</td><td>0.303</td><td>0.333</td><td>0.363</td></tr> <tr><td>Green x_c</td><td>0.275</td><td>0.305</td><td>0.335</td></tr> <tr><td>Green y_c</td><td>0.596</td><td>0.626</td><td>0.656</td></tr> <tr><td>Blue x_c</td><td>0.116</td><td>0.146</td><td>0.176</td></tr> <tr><td>Blue y_c</td><td>0.017</td><td>0.047</td><td>0.077</td></tr> <tr><td>White x_c</td><td>0.283</td><td>0.313</td><td>0.343</td></tr> <tr><td>White y_c</td><td>0.299</td><td>0.329</td><td>0.359</td></tr> </table>	Red x _c	0.624	0.654	0.684	Red y _c	0.303	0.333	0.363	Green x _c	0.275	0.305	0.335	Green y _c	0.596	0.626	0.656	Blue x _c	0.116	0.146	0.176	Blue y _c	0.017	0.047	0.077	White x _c	0.283	0.313	0.343	White y _c	0.299	0.329	0.359	Revise <table border="1"> <tr><td>Red x_c</td><td>0.628</td><td>0.658</td><td>0.688</td></tr> <tr><td>Red y_c</td><td>0.302</td><td>0.332</td><td>0.362</td></tr> <tr><td>Green x_c</td><td>0.272</td><td>0.302</td><td>0.332</td></tr> <tr><td>Green y_c</td><td>0.594</td><td>0.624</td><td>0.654</td></tr> <tr><td>Blue x_c</td><td>0.117</td><td>0.147</td><td>0.177</td></tr> <tr><td>Blue y_c</td><td>0.023</td><td>0.056</td><td>0.086</td></tr> <tr><td>White x_c</td><td>0.283</td><td>0.313</td><td>0.343</td></tr> <tr><td>White y_c</td><td>0.299</td><td>0.329</td><td>0.359</td></tr> </table>	Red x _c	0.628	0.658	0.688	Red y _c	0.302	0.332	0.362	Green x _c	0.272	0.302	0.332	Green y _c	0.594	0.624	0.654	Blue x _c	0.117	0.147	0.177	Blue y _c	0.023	0.056	0.086	White x _c	0.283	0.313	0.343	White y _c	0.299	0.329	0.359																																																																																						
Red x _c	0.624	0.654	0.684																																																																																																																																																							
Red y _c	0.303	0.333	0.363																																																																																																																																																							
Green x _c	0.275	0.305	0.335																																																																																																																																																							
Green y _c	0.596	0.626	0.656																																																																																																																																																							
Blue x _c	0.116	0.146	0.176																																																																																																																																																							
Blue y _c	0.017	0.047	0.077																																																																																																																																																							
White x _c	0.283	0.313	0.343																																																																																																																																																							
White y _c	0.299	0.329	0.359																																																																																																																																																							
Red x _c	0.628	0.658	0.688																																																																																																																																																							
Red y _c	0.302	0.332	0.362																																																																																																																																																							
Green x _c	0.272	0.302	0.332																																																																																																																																																							
Green y _c	0.594	0.624	0.654																																																																																																																																																							
Blue x _c	0.117	0.147	0.177																																																																																																																																																							
Blue y _c	0.023	0.056	0.086																																																																																																																																																							
White x _c	0.283	0.313	0.343																																																																																																																																																							
White y _c	0.299	0.329	0.359																																																																																																																																																							
		P14	Connector Type <table border="1"> <tr><td>TF/LCD Connector</td><td>Manufacturer</td><td>P-TWO</td><td>JAE</td><td>CHIEFLAND</td></tr> <tr><td>Part Number</td><td>187060-4122</td><td>FR-RE115-HF</td><td>107C414000RA-G4</td><td></td></tr> <tr><td>Mating Connector</td><td>Manufacturer</td><td>JAE</td><td></td><td></td></tr> <tr><td>Part Number</td><td></td><td>FR-RE11-HL</td><td></td><td></td></tr> </table>	TF/LCD Connector	Manufacturer	P-TWO	JAE	CHIEFLAND	Part Number	187060-4122	FR-RE115-HF	107C414000RA-G4		Mating Connector	Manufacturer	JAE			Part Number		FR-RE11-HL			Revise <table border="1"> <tr><td>TF/LCD Connector</td><td>Manufacturer</td><td>P-TWO</td><td>JAE</td><td></td></tr> <tr><td>Part Number</td><td>187060-4122</td><td>FR-RE115-HF</td><td></td><td></td></tr> <tr><td>Mating Connector</td><td>Manufacturer</td><td>JAE or compatible</td><td></td><td></td></tr> <tr><td>Part Number</td><td></td><td>FR-RE11-CL</td><td></td><td></td></tr> </table>	TF/LCD Connector	Manufacturer	P-TWO	JAE		Part Number	187060-4122	FR-RE115-HF			Mating Connector	Manufacturer	JAE or compatible			Part Number		FR-RE11-CL																																																																																																																
TF/LCD Connector	Manufacturer	P-TWO	JAE	CHIEFLAND																																																																																																																																																						
Part Number	187060-4122	FR-RE115-HF	107C414000RA-G4																																																																																																																																																							
Mating Connector	Manufacturer	JAE																																																																																																																																																								
Part Number		FR-RE11-HL																																																																																																																																																								
TF/LCD Connector	Manufacturer	P-TWO	JAE																																																																																																																																																							
Part Number	187060-4122	FR-RE115-HF																																																																																																																																																								
Mating Connector	Manufacturer	JAE or compatible																																																																																																																																																								
Part Number		FR-RE11-CL																																																																																																																																																								
		P17	3.3.2 Recommended Operating Condition <table border="1"> <thead> <tr><th>Symbol</th><th>Description</th><th>Min</th><th>Typ</th><th>Max</th><th>Unit</th><th>Remark</th></tr> </thead> <tbody> <tr><td>VDD</td><td>Power supply Input voltage</td><td>10.8</td><td>12.0</td><td>13.2</td><td>[Vdc]</td><td></td></tr> <tr><td>IDD</td><td>Power supply Input Current (RMS)</td><td>-</td><td>TBD</td><td>TBD</td><td>[A]</td><td>VDD = 12.0V, White pattern, Fv=60Hz</td></tr> <tr><td>PDD</td><td>VDD Power Consumption</td><td>-</td><td>TBD</td><td>TBD</td><td>[Watt]</td><td>VDD = 12.0V, White pattern, Fv=60Hz</td></tr> <tr><td>I_{Back}</td><td>Backlight Current</td><td>-</td><td>TBD</td><td>[A]</td><td>Note 3.1</td></tr> <tr><td>VDD_{ripple}</td><td>Allowable VDD Ripple Voltage</td><td>-</td><td>VDD%5</td><td>[mV]</td><td>VDD=12.0V, White pattern, Fv=60Hz</td></tr> </tbody> </table>	Symbol	Description	Min	Typ	Max	Unit	Remark	VDD	Power supply Input voltage	10.8	12.0	13.2	[Vdc]		IDD	Power supply Input Current (RMS)	-	TBD	TBD	[A]	VDD = 12.0V, White pattern, Fv=60Hz	PDD	VDD Power Consumption	-	TBD	TBD	[Watt]	VDD = 12.0V, White pattern, Fv=60Hz	I _{Back}	Backlight Current	-	TBD	[A]	Note 3.1	VDD _{ripple}	Allowable VDD Ripple Voltage	-	VDD%5	[mV]	VDD=12.0V, White pattern, Fv=60Hz	Revise <table border="1"> <thead> <tr><th>Symbol</th><th>Description</th><th>Min</th><th>Typ</th><th>Max</th><th>Unit</th><th>Remark</th></tr> </thead> <tbody> <tr><td>VDD</td><td>Power supply Input voltage</td><td>10.8</td><td>12.0</td><td>13.2</td><td>[Vdc]</td><td></td></tr> <tr><td>IDD</td><td>Power supply Input Current (RMS)</td><td>-</td><td>6.9</td><td>11</td><td>[A]</td><td>VDD = 12.0V, White pattern, Fv=60Hz</td></tr> <tr><td>PDD</td><td>VDD Power Consumption</td><td>-</td><td>10.8</td><td>13.3</td><td>[Watt]</td><td>VDD = 12.0V, White pattern, Fv=60Hz</td></tr> <tr><td>I_{Back}</td><td>Backlight Current</td><td>-</td><td>3</td><td>[A]</td><td>Note 3.2</td></tr> <tr><td>VDD_{ripple}</td><td>Allowable VDD Ripple Voltage</td><td>-</td><td>VDD%5</td><td>[mV]</td><td>VDD=12.0V, White pattern, Fv=60Hz</td></tr> </tbody> </table>	Symbol	Description	Min	Typ	Max	Unit	Remark	VDD	Power supply Input voltage	10.8	12.0	13.2	[Vdc]		IDD	Power supply Input Current (RMS)	-	6.9	11	[A]	VDD = 12.0V, White pattern, Fv=60Hz	PDD	VDD Power Consumption	-	10.8	13.3	[Watt]	VDD = 12.0V, White pattern, Fv=60Hz	I _{Back}	Backlight Current	-	3	[A]	Note 3.2	VDD _{ripple}	Allowable VDD Ripple Voltage	-	VDD%5	[mV]	VDD=12.0V, White pattern, Fv=60Hz																																																																						
Symbol	Description	Min	Typ	Max	Unit	Remark																																																																																																																																																				
VDD	Power supply Input voltage	10.8	12.0	13.2	[Vdc]																																																																																																																																																					
IDD	Power supply Input Current (RMS)	-	TBD	TBD	[A]	VDD = 12.0V, White pattern, Fv=60Hz																																																																																																																																																				
PDD	VDD Power Consumption	-	TBD	TBD	[Watt]	VDD = 12.0V, White pattern, Fv=60Hz																																																																																																																																																				
I _{Back}	Backlight Current	-	TBD	[A]	Note 3.1																																																																																																																																																					
VDD _{ripple}	Allowable VDD Ripple Voltage	-	VDD%5	[mV]	VDD=12.0V, White pattern, Fv=60Hz																																																																																																																																																					
Symbol	Description	Min	Typ	Max	Unit	Remark																																																																																																																																																				
VDD	Power supply Input voltage	10.8	12.0	13.2	[Vdc]																																																																																																																																																					
IDD	Power supply Input Current (RMS)	-	6.9	11	[A]	VDD = 12.0V, White pattern, Fv=60Hz																																																																																																																																																				
PDD	VDD Power Consumption	-	10.8	13.3	[Watt]	VDD = 12.0V, White pattern, Fv=60Hz																																																																																																																																																				
I _{Back}	Backlight Current	-	3	[A]	Note 3.2																																																																																																																																																					
VDD _{ripple}	Allowable VDD Ripple Voltage	-	VDD%5	[mV]	VDD=12.0V, White pattern, Fv=60Hz																																																																																																																																																					
		P22	3.4.5 Input Timing Specification <table border="1"> <thead> <tr><th>Symbol</th><th>Description</th><th>Min</th><th>Typ</th><th>Max</th><th>Unit</th><th>Remark</th></tr> </thead> <tbody> <tr><td>T_{ps}</td><td>Period</td><td>-</td><td>2250</td><td>-</td><td>Th</td><td>-</td></tr> <tr><td>T_{disp (v)}</td><td>Vertical Section</td><td>Active</td><td>2160</td><td>-</td><td>Th</td><td>-</td></tr> <tr><td>T_{blnk (v)}</td><td>Blanking</td><td>-</td><td>90</td><td>-</td><td>Th</td><td>-</td></tr> <tr><td>F_v</td><td>Frequency</td><td>-</td><td>60</td><td>-</td><td>Hz</td><td>-</td></tr> <tr><td>T_h</td><td>Horizontal Section</td><td>Period</td><td>2080</td><td>-</td><td>Tclk</td><td>-</td></tr> <tr><td>T_{disp (h)}</td><td>Active</td><td>-</td><td>1920</td><td>-</td><td>Tclk</td><td>-</td></tr> <tr><td>T_{blnk (h)}</td><td>Blanking</td><td>-</td><td>160</td><td>-</td><td>Tclk</td><td>-</td></tr> <tr><td>F_h</td><td>Frequency</td><td>-</td><td>135</td><td>-</td><td>[KHz]</td><td>-</td></tr> <tr><td>F_{clk}</td><td>Clock per line</td><td>-</td><td>2.7</td><td>-</td><td>[GHz]</td><td>-</td></tr> </tbody> </table>	Symbol	Description	Min	Typ	Max	Unit	Remark	T _{ps}	Period	-	2250	-	Th	-	T _{disp (v)}	Vertical Section	Active	2160	-	Th	-	T _{blnk (v)}	Blanking	-	90	-	Th	-	F _v	Frequency	-	60	-	Hz	-	T _h	Horizontal Section	Period	2080	-	Tclk	-	T _{disp (h)}	Active	-	1920	-	Tclk	-	T _{blnk (h)}	Blanking	-	160	-	Tclk	-	F _h	Frequency	-	135	-	[KHz]	-	F _{clk}	Clock per line	-	2.7	-	[GHz]	-	Revise <table border="1"> <thead> <tr><th>Symbol</th><th>Description</th><th>Min</th><th>Typ</th><th>Max</th><th>Unit</th><th>Remark</th></tr> </thead> <tbody> <tr><td>T_{ps}</td><td>Period</td><td>2180</td><td>2300</td><td>2370</td><td>Th</td><td>-</td></tr> <tr><td>T_{disp (v)}</td><td>Vertical Section</td><td>Active</td><td>2160</td><td>2160</td><td>Th</td><td>-</td></tr> <tr><td>T_{blnk (v)}</td><td>Blanking</td><td>20</td><td>40</td><td>212</td><td>Th</td><td>-</td></tr> <tr><td>F_v</td><td>Frequency</td><td>59</td><td>60</td><td>61</td><td>Hz</td><td>-</td></tr> <tr><td>T_h</td><td>Horizontal Section</td><td>Period</td><td>2000</td><td>2100</td><td>2170</td><td>Tclk</td><td>-</td></tr> <tr><td>T_{disp (h)}</td><td>Active</td><td>1920</td><td>1920</td><td>1920</td><td>Tclk</td><td>-</td></tr> <tr><td>T_{blnk (h)}</td><td>Blanking</td><td>60</td><td>180</td><td>226</td><td>Tclk</td><td>-</td></tr> <tr><td>T_{clk}</td><td>Period</td><td>3.69</td><td>3.61</td><td>3.57</td><td>ns</td><td>1-Fclk</td></tr> <tr><td>F_{clk}</td><td>Pixel Clock</td><td>Frequency</td><td>277.24</td><td>277.29</td><td>280.00</td><td>MHz</td><td>Note 3.4</td></tr> <tr><td>Link Rate per Line</td><td></td><td></td><td>2.7</td><td></td><td>Gbps</td><td>-</td></tr> </tbody> </table>	Symbol	Description	Min	Typ	Max	Unit	Remark	T _{ps}	Period	2180	2300	2370	Th	-	T _{disp (v)}	Vertical Section	Active	2160	2160	Th	-	T _{blnk (v)}	Blanking	20	40	212	Th	-	F _v	Frequency	59	60	61	Hz	-	T _h	Horizontal Section	Period	2000	2100	2170	Tclk	-	T _{disp (h)}	Active	1920	1920	1920	Tclk	-	T _{blnk (h)}	Blanking	60	180	226	Tclk	-	T _{clk}	Period	3.69	3.61	3.57	ns	1-Fclk	F _{clk}	Pixel Clock	Frequency	277.24	277.29	280.00	MHz	Note 3.4	Link Rate per Line			2.7		Gbps	-	
Symbol	Description	Min	Typ	Max	Unit	Remark																																																																																																																																																				
T _{ps}	Period	-	2250	-	Th	-																																																																																																																																																				
T _{disp (v)}	Vertical Section	Active	2160	-	Th	-																																																																																																																																																				
T _{blnk (v)}	Blanking	-	90	-	Th	-																																																																																																																																																				
F _v	Frequency	-	60	-	Hz	-																																																																																																																																																				
T _h	Horizontal Section	Period	2080	-	Tclk	-																																																																																																																																																				
T _{disp (h)}	Active	-	1920	-	Tclk	-																																																																																																																																																				
T _{blnk (h)}	Blanking	-	160	-	Tclk	-																																																																																																																																																				
F _h	Frequency	-	135	-	[KHz]	-																																																																																																																																																				
F _{clk}	Clock per line	-	2.7	-	[GHz]	-																																																																																																																																																				
Symbol	Description	Min	Typ	Max	Unit	Remark																																																																																																																																																				
T _{ps}	Period	2180	2300	2370	Th	-																																																																																																																																																				
T _{disp (v)}	Vertical Section	Active	2160	2160	Th	-																																																																																																																																																				
T _{blnk (v)}	Blanking	20	40	212	Th	-																																																																																																																																																				
F _v	Frequency	59	60	61	Hz	-																																																																																																																																																				
T _h	Horizontal Section	Period	2000	2100	2170	Tclk	-																																																																																																																																																			
T _{disp (h)}	Active	1920	1920	1920	Tclk	-																																																																																																																																																				
T _{blnk (h)}	Blanking	60	180	226	Tclk	-																																																																																																																																																				
T _{clk}	Period	3.69	3.61	3.57	ns	1-Fclk																																																																																																																																																				
F _{clk}	Pixel Clock	Frequency	277.24	277.29	280.00	MHz	Note 3.4																																																																																																																																																			
Link Rate per Line			2.7		Gbps	-																																																																																																																																																				
		P23	3.5 Power ON/OFF Sequence 	Revise 																																																																																																																																																						
			Power Sequence Timing	Revise																																																																																																																																																						

			Value					Remark		Value					Remark		
			Symbol	Min.	Typ.	Max.	Unit			Symbol	Min.	Typ.	Max.	Unit			
			T1	0.5	--	10	[ms]	--	T1	0.5	--	10	[ms]	--			
			T2	TBD	--	TBD	[ms]	--	T2	100	--	--	[ms]	--			
			T3	TBD	--	--	[ms]	--	T3	6	--	--	[ms]	None 2-5			
			T4	100	--	--	[ms]	--	T4	500	--	--	[ms]	--			
			T5	0	--	50	[ms]	None 2-4 None 2-5	T5	100	--	--	[ms]	--			
			T6	0	--	150	[ms]	None 2-5	T6	0	--	30	[ms]	None 2-6 None 2-7			
			T7	1000	--	--	[ms]	--	T7	0	--	150	[ms]	None 2-7			
			T8						T8	1000	--	--	[ms]	--			
		P24	Each LED light bar includes 44 pcs LED package. (4 strings and 11 pcs LED of one string).						Each LED light bar includes 52 pcs LED package. (4 strings and 13 pcs LED of one string).								
		P28	4.3.2 Recommended Operating condition						Revise								
			Symbol	Description	Min.	Typ.	Max.	Unit	Remark	Symbol	Description	Min.	Typ.	Max.	Unit	Remark	
			I _{LED}	LED String Current	--	130	143	[mA]	100% duty ratio of LED clip	I _{LED}	LED String Current	--	120	122	[mA]	100% duty ratio of LED clip	
			V _{LED}	LED String Voltage	33	37.4	39.6	[V(DC)]	I _{LED} =120mA @ 100% duty ratio; None 4-1/None 4-3	V _{LED}	LED String Voltage	39	42.9	45.8	[V(DC)]	I _{LED} =120mA @ 100% duty ratio; None 4-1/None 4-3	
			ΔV _{LED}	Maximum V _{LED} Deviation of light bar	--	--	2.3	[V(DC)]	I _{LED} =120mA @ 100% duty ratio; None 4-2	ΔV _{LED}	Maximum V _{LED} Deviation of light bar	--	--	2.6	[V(DC)]	I _{LED} =120mA @ 100% duty ratio; None 4-2	
			P _{LED}	LED Light Bar Power Consumption	--	38.9	41.18	[Watt]	None 4-3	P _{LED}	LED Light Bar Power Consumption	--	41.3	44.9	[Watt]	None 4-3	
			LT _{LED}	LED Life Time	30000	--	--	[Hour]	None 4-4	LT _{LED}	LED Life Time	--	--	30000	[Hour]	None 4-4	
		P30	Vibration Test condition						Revise								
			Acceleration: 1.75 Grms Wave form: Random Bandwidth & Level: -- Frequency: 10~300Hz PSD(g/Hz): 0.0075 Duration: 30 Minutes each Axis (X, Y, Z) X: Horizontal, face up Y: Horizontal, face up Z: Horizontal, face up						Vibration Test (Non-operation): Frequency: 10~57Hz; Vibration width (one side): 0.075mm : 50~500Hz; Acceleration: 9.8m/s ² Sweep time: 11minutes Test period: 3 hours/1h for each direction of X,Y,Z								
		P30	Drop Test condition						Remove								
			Drop Test: -- Height: 30.5 cm, package test --														
0.3	2014/03/17	P23	3.4.5 Input Timing Specification						Revise								
			Symbol	Description	Min.	Typ.	Max.	Unit	Remark	Symbol	Description	Min.	Typ.	Max.	Unit	Remark	
			T ₁	Vertical Section	Period	2180	2200	2372	Th	--	T ₁	Period	2180	2200	2372	Th	--
			T _{disp (v)}		Active	2160	2160	2160	Th	--	T _{disp (v)}	Active	2160	2160	2160	Th	--
			T _{blk (v)}	Horizontal Section	Blanking	20	40	212	Th	--	T _{blk (v)}	Blanking	20	40	212	Th	--
			F _v		Frequency	59	60	61	Hz	--	F _v	Frequency	59	60	61	Hz	--
			T ₁	Horizontal Section	Period	2000	2100	2176	TdL	--	T ₁	Period	2026	2100	2176	TdL	--
			T _{disp (h)}		Active	1920	1920	1920	TdL	--	T _{disp (h)}	Active	1920	1920	1920	TdL	--
			T _{blk (h)}	Pixel Clock	Blanking	60	180	256	TdL	--	T _{blk (h)}	Blanking	106	180	256	TdL	--
			T _{clk}		Period	3.89	3.61	3.57	ns	1-Fclk	T _{clk}	Period	3.84	3.61	3.57	ns	1-Fclk
			F _{clk}	Frequency	257.24	277.20	280.00	MHz	None 2-4	F _{clk}	Frequency	260.58	277.20	280.00	MHz	None 2-4	
			Link Rate per Line						Link Rate per Line								
			2.7						2.7								
		P33	Connector position						Connector position shift to								
			X-dir: 28.9+/-5mm Y-dir: 85+/-5mm						X-dir: 17.2+/-5mm Y-dir: 84.7+/-5mm								
1.0	2014/05/14	P8	-						Add sRGB coverage ratio								
		P24	T2 Min. 100ms						T2 Min. 0ms, Max. 200ms								
1.1	2014/06/16	P23	-						3.4.5 Input Timing Specification Add Fh Description								
		P6	Power Consumption						Power Consumption								
			52W (Typ.) Backlight unit : PBLU (Typ.) =41.2W @I _s =120mA						45.6W (Typ.) Backlight unit : PBLU (Typ.) =34.8W @I _s =120mA								



		P25	Each LED light bar includes 52 pcs LED package. (4 strings and 13 pcs LED of one string).	Each LED light bar includes 44 pcs LED package. (4 strings and 11 pcs LED of one string).																																																																																																			
		P29	<p>4.3.2 Recommended Operating Condition</p> <table border="1"> <thead> <tr> <th>Symbol</th> <th>Description</th> <th>Min.</th> <th>Typ.</th> <th>Max.</th> <th>Unit</th> <th>Remark</th> </tr> </thead> <tbody> <tr> <td>I_{LED}</td> <td>LED String Current</td> <td>—</td> <td>120</td> <td>130</td> <td>[mA]</td> <td>100% duty ratio of LED chip</td> </tr> <tr> <td>V_{LED}</td> <td>LED String Voltage</td> <td>78</td> <td>40~42</td> <td>46.0</td> <td>[V@I]</td> <td>I_{LED}=120mA @ 100% duty ratio Note 4-18, Note 4-5</td> </tr> <tr> <td>OV_{LED}</td> <td>Maximum V_{LED} Voltage Deviation of light bar</td> <td>—</td> <td>—</td> <td>2.0</td> <td>[V@I]</td> <td>I_{LED}=120mA @ 100% duty ratio Note 4-2</td> </tr> <tr> <td>P_{LED}</td> <td>LED Light Bar Power Consumption</td> <td>—</td> <td>4.2</td> <td>4.4</td> <td>[Watt]</td> <td>Note 4-3</td> </tr> <tr> <td>LT_{LED}</td> <td>LED Life Time</td> <td>30,000</td> <td>—</td> <td>—</td> <td>[hour]</td> <td>Note 4-6</td> </tr> <tr> <td>OV_{PS}</td> <td>Over Voltage Protection in system board</td> <td>105</td> <td>—</td> <td>—</td> <td>[V@I]</td> <td>Note 4-5</td> </tr> </tbody> </table>	Symbol	Description	Min.	Typ.	Max.	Unit	Remark	I _{LED}	LED String Current	—	120	130	[mA]	100% duty ratio of LED chip	V _{LED}	LED String Voltage	78	40~42	46.0	[V@I]	I _{LED} =120mA @ 100% duty ratio Note 4-18, Note 4-5	OV _{LED}	Maximum V _{LED} Voltage Deviation of light bar	—	—	2.0	[V@I]	I _{LED} =120mA @ 100% duty ratio Note 4-2	P _{LED}	LED Light Bar Power Consumption	—	4.2	4.4	[Watt]	Note 4-3	LT _{LED}	LED Life Time	30,000	—	—	[hour]	Note 4-6	OV _{PS}	Over Voltage Protection in system board	105	—	—	[V@I]	Note 4-5	<p>4.3.2 Recommended Operating Condition</p> <table border="1"> <thead> <tr> <th>Symbol</th> <th>Description</th> <th>Min.</th> <th>Typ.</th> <th>Max.</th> <th>Unit</th> <th>Remark</th> </tr> </thead> <tbody> <tr> <td>I_{LED}</td> <td>LED String Current</td> <td>—</td> <td>120</td> <td>130</td> <td>[mA]</td> <td>100% duty ratio of LED chip</td> </tr> <tr> <td>V_{LED}</td> <td>LED String Voltage</td> <td>33</td> <td>36.0</td> <td>39.0</td> <td>[V@I]</td> <td>I_{LED}=20mA @ 00% duty ratio Note 4-18, Note 4-5</td> </tr> <tr> <td>OV_{LED}</td> <td>Maximum V_{LED} Voltage Deviation of light bar</td> <td>—</td> <td>—</td> <td>2.0</td> <td>[V@I]</td> <td>I_{LED}=20mA @ 00% duty ratio Note 4-2</td> </tr> <tr> <td>P_{LED}</td> <td>LED Light Bar Power Consumption</td> <td>—</td> <td>3.4</td> <td>3.8</td> <td>[Watt]</td> <td>Note 4-3</td> </tr> <tr> <td>LT_{LED}</td> <td>LED Life Time</td> <td>30,000</td> <td>—</td> <td>—</td> <td>[hour]</td> <td>Note 4-6</td> </tr> <tr> <td>OV_{PS}</td> <td>Over Voltage Protection in system board</td> <td>110</td> <td>—</td> <td>—</td> <td>[V@I]</td> <td>Note 4-5</td> </tr> </tbody> </table>	Symbol	Description	Min.	Typ.	Max.	Unit	Remark	I _{LED}	LED String Current	—	120	130	[mA]	100% duty ratio of LED chip	V _{LED}	LED String Voltage	33	36.0	39.0	[V@I]	I _{LED} =20mA @ 00% duty ratio Note 4-18, Note 4-5	OV _{LED}	Maximum V _{LED} Voltage Deviation of light bar	—	—	2.0	[V@I]	I _{LED} =20mA @ 00% duty ratio Note 4-2	P _{LED}	LED Light Bar Power Consumption	—	3.4	3.8	[Watt]	Note 4-3	LT _{LED}	LED Life Time	30,000	—	—	[hour]	Note 4-6	OV _{PS}	Over Voltage Protection in system board	110	—	—	[V@I]	Note 4-5	
Symbol	Description	Min.	Typ.	Max.	Unit	Remark																																																																																																	
I _{LED}	LED String Current	—	120	130	[mA]	100% duty ratio of LED chip																																																																																																	
V _{LED}	LED String Voltage	78	40~42	46.0	[V@I]	I _{LED} =120mA @ 100% duty ratio Note 4-18, Note 4-5																																																																																																	
OV _{LED}	Maximum V _{LED} Voltage Deviation of light bar	—	—	2.0	[V@I]	I _{LED} =120mA @ 100% duty ratio Note 4-2																																																																																																	
P _{LED}	LED Light Bar Power Consumption	—	4.2	4.4	[Watt]	Note 4-3																																																																																																	
LT _{LED}	LED Life Time	30,000	—	—	[hour]	Note 4-6																																																																																																	
OV _{PS}	Over Voltage Protection in system board	105	—	—	[V@I]	Note 4-5																																																																																																	
Symbol	Description	Min.	Typ.	Max.	Unit	Remark																																																																																																	
I _{LED}	LED String Current	—	120	130	[mA]	100% duty ratio of LED chip																																																																																																	
V _{LED}	LED String Voltage	33	36.0	39.0	[V@I]	I _{LED} =20mA @ 00% duty ratio Note 4-18, Note 4-5																																																																																																	
OV _{LED}	Maximum V _{LED} Voltage Deviation of light bar	—	—	2.0	[V@I]	I _{LED} =20mA @ 00% duty ratio Note 4-2																																																																																																	
P _{LED}	LED Light Bar Power Consumption	—	3.4	3.8	[Watt]	Note 4-3																																																																																																	
LT _{LED}	LED Life Time	30,000	—	—	[hour]	Note 4-6																																																																																																	
OV _{PS}	Over Voltage Protection in system board	110	—	—	[V@I]	Note 4-5																																																																																																	

AUO Confidential For ELTECH Internal Use Only On 2014/08/01

1 Handling Precautions

- 1) Since front polarizer is easily damaged, pay attention not to scratch it.
- 2) Be sure to turn off power supply when inserting or disconnecting from input connector.
- 3) Wipe off water drop immediately. Long contact with water may cause discoloration or spots.
- 4) When the panel surface is soiled, wipe it with absorbent cotton or other soft cloth.
- 5) Since the panel is made of glass, it may break or crack if dropped or bumped on hard surface.
- 6) Since CMOS LSI is used in this module, take care of static electricity and insure human earth when handling.
- 7) Do not open or modify the Module Assembly.
- 8) Do not press the reflector sheet at the back of the module to any directions.
- 9) In case a TFT-LCD Module has to be put back into the packing container slot after once it was taken out from the container, do not press the center of the LED lightbar edge. Otherwise the TFT-LCD Module may be damaged.
- 10) Insert or pull out the interface connector, be sure not to rotate nor tilt it of the TFT-LCD Module.
- 11) Do not twist nor bend the TFT -LCD Module even momentary. It should be taken into consideration that no bending/twisting forces are applied to the TFT-LCD Module from outside. Otherwise the TFT-LCD Module may be damaged.
- 12) Please avoid touching COF position while you are doing mechanical design.
- 13) When storing modules as spares for a long time, the following precaution is necessary: Store them in a dark place. Do not expose the module to sunlight or fluorescent light. Keep the temperature between 5 and 35 at normal humidity.

2 General Description

This specification applies to the 32.0 inch wide Color a-Si TFT-LCD Module M320QAN01.0. The display supports the UHD - 3840(H) x 2160(V) screen format and 1.07B colors (10bits data input). The input interface is 8-lanes eDP and this module doesn't contain an driver board for backlight.

2.1 Display Characteristics

The following items are characteristics summary on the table under 25 °C condition:

ITEMS	Unit	SPECIFICATIONS
Screen Diagonal	[mm]	812.8 (32.0")
Active Area	[mm]	708.48 (H) x 398.52 (V)
Pixels H x V	-	3840(x3) x 2160
Pixel Pitch	[um]	184.5 (per one triad) × 184.5
Pixel Arrangement	-	R.G.B. Vertical Stripe
Display Mode	-	Normally Black
White Luminance (Center)	[cd/m ²]	350 (Typ.)
Contrast Ratio	-	1000 (Typ.)
Response Time	[msec]	12 (Typ., Gray to Gray)
Power Consumption (LCD Module + Backligh unit)	[Watt]	45.6W (Typ.) LCD module : PDD(Typ.)=10.8W @white pattern, 60Hz, 12V Backlight unit : PBLU (Typ.) =34.8W @Is=120mA
Weight	[Grams]	5,160
Outline Dimension	[mm]	727.88 (H) x 422.07 (V) × 15.1 (D) Typ.
Electrical Interface	-	8-lanes eDP , 10bits RGB data input
Support Color	-	1.07B colors
Surface Treatment	-	Anti-Glare, 3H
Temperature Range Operating	[°C]	0 to +50
Storage (Shipping)	[°C]	-20 to +60
RoHS Compliance	-	RoHS Compliance
TCO Compliance	-	TCO 6.0 Compliance

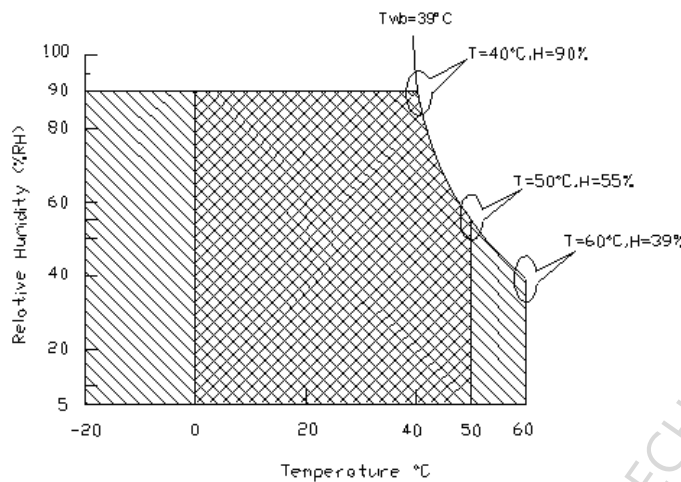
2.2 Absolute Maximum Rating of Environment

Permanent damage may occur if exceeding the following maximum rating.

Symbol	Description	Min.	Max.	Unit	Remark
TOP	Operating Temperature	0	+50	[°C]	Note 2-1
TGS	Glass surface temperature (operation)	0	+65	[°C]	Note 2-1 Function judged only
HOP	Operation Humidity	5	90	[%RH]	Note 2-1
TST	Storage Temperature	-20	+60	[°C]	
HST	Storage Humidity	5	90	[%RH]	

Note 2-1: Temperature and relative humidity range are shown as the below figure.

- 90% RH Max ($T_a \leq 39^\circ\text{C}$)
- Max wet-bulb temperature at 39°C or less. ($T_a \leq 39^\circ\text{C}$)
- No condensation



Operating Range Storage Range +

2.3 Optical Characteristics

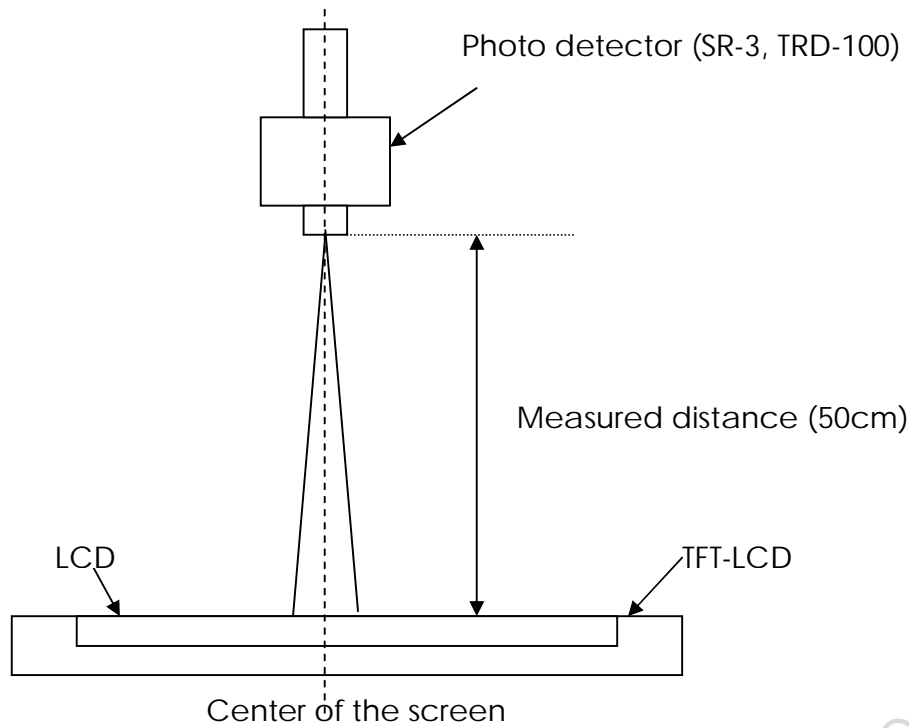
The optical characteristics are measured on the following test condition.

Test Condition:

1. Equipment setup: Please refer to Note 2-2.
2. Panel Lighting time: 30 minutes
3. VDD=12.0V, Fv=60Hz, Is=120mA, Ta=25

Symbol	Description		Min.	Typ.	Max.	Unit	Remark
L _w	White Luminance (Center of screen)		280	350	-	[cd/m ²]	Note 2-2 By SR-3
L _{uni}	Luminance Uniformity (9 points)		75	80	-	[%]	Note 2-3 By SR-3
CR	Contrast Ratio (Center of screen)		600	1000	-	-	Note 2-4 By SR-3
θ _R	Horizontal Viewing Angle (CR=10)	Right	75	89	-	[degree]	Note 2-5 By SR-3
θ _L		Left	75	89	-		
Φ _H	Vertical Viewing Angle (CR=10)	Up	75	89	-		
Φ _L		Down	75	89	-		
T _{GTG}	Response Time	Gray to Gray	-	12	-	[msec]	Note 2-6 By TRD-100
R _x	Color Coordinates (CIE 1931)	Red x	0.628	0.658	0.688	-	By SR-3
R _y		Red y	0.302	0.332	0.362		
G _x		Green x	0.272	0.302	0.332		
G _y		Green y	0.594	0.624	0.654		
B _x		Blue x	0.117	0.147	0.177		
B _y		Blue y	0.023	0.056	0.086		
W _x		White x	0.283	0.313	0.343		
W _y		White y	0.299	0.329	0.359		
sRGB coverage ratio				100		[%]	By SR-3
CT	Crosstalk		-	-	1.5	[%]	Note 2-7 By SR-3
F _{dB}	Flicker (Center of screen)		-	-	-20	[dB]	Note 2-8 By SR-3

Note 2-2: Equipment setup:

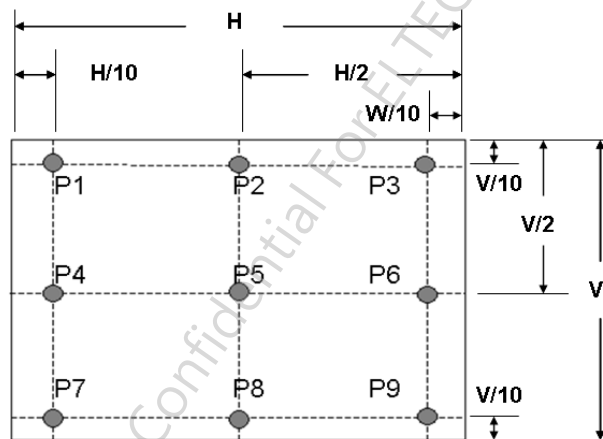


Note 2-3: Luminance Uniformity Measurement

Definition:

$$\text{Luminance Uniformity} = \frac{\text{Minimum Luminance of 9 Points (P1 ~ P9)}}{\text{Maximum Luminance of 9 Points (P1 ~ P9)}}$$

a. Test pattern: White Pattern



Note 2-4: Contrast Ratio Measurement

Definition:

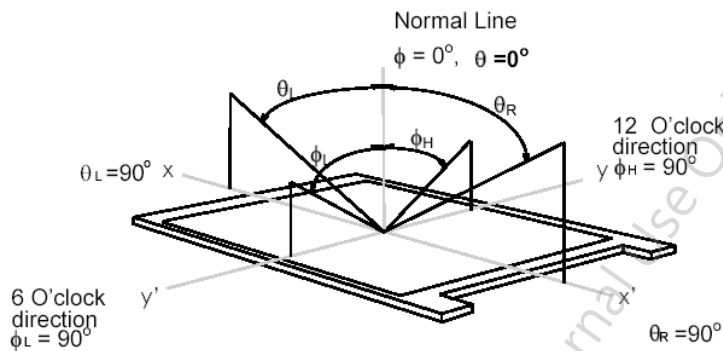
$$\text{Contrast Ratio} = \frac{\text{Luminance of White pattern}}{\text{Luminance of Black pattern}}$$

a. Measured position: Center of screen (P5) & perpendicular to the screen
 ($\theta = \Phi = 0^\circ$)

Note 2-5: Viewing angle measurement

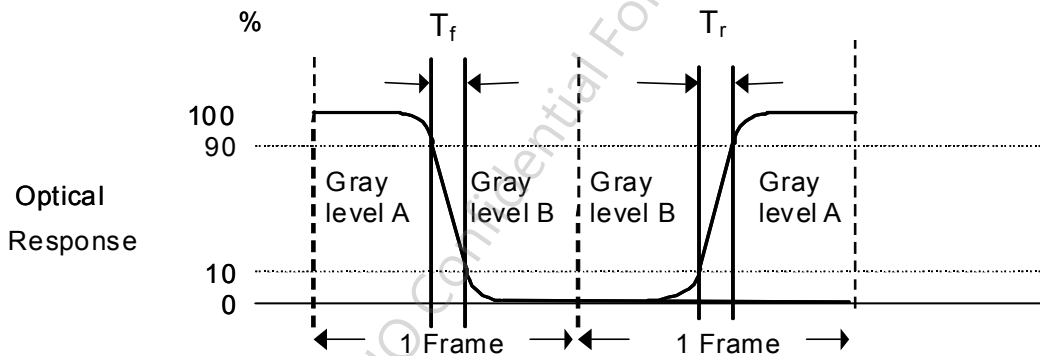
Definition: The angle at which the contrast ratio is greater than 10 & 5 .

a. Horizontal view angle: Divide to left & right (θ_L & θ_R)
 Vertical view angle: Divide to up & down (Φ_H & Φ_L)



Note 2-6: Response measurement

The output signals of photo detector are measured when the input signals are changed from "Gray level A" to "Gray level B" (falling time, T_f), and from "Gray level B" to "Gray level A" (rising time, T_r), respectively. The response time is interval between the 10% and 90% of optical response.



The gray to gray response time is defined as the following table.

Gray Level to Gray Level		Target gray level				
		L0	L255	L511	L767	L1023
Start gray level	L0					
	L255					
	L511					
	L767					
	L1023					

- T_{GTG_typ} is the total average time at rising time and falling time of gray to gray.

Note 2-7: Crosstalk measurement

Definition:

$$CT = \text{Max.} (CT_H, CT_V);$$

Where

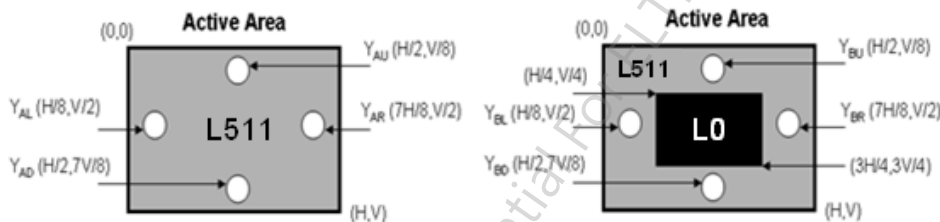
- a. Maximum Horizontal Crosstalk:

$$CT_H = \text{Max.} (| Y_{BL} - Y_{AL} | / Y_{AL} \times 100 \%, | Y_{BR} - Y_{AR} | / Y_{AR} \times 100 \%);$$

Maximum Vertical Crosstalk:

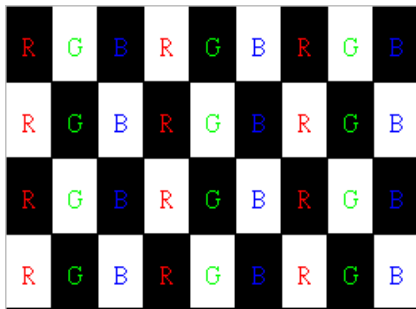
$$CT_V = \text{Max.} (| Y_{BU} - Y_{AU} | / Y_{AU} \times 100 \%, | Y_{BD} - Y_{AD} | / Y_{AD} \times 100 \%);$$

- b. $Y_{AU}, Y_{AD}, Y_{AL}, Y_{AR}$ = Luminance of measured location without Black pattern
 $Y_{BU}, Y_{BD}, Y_{BL}, Y_{BR}$ = Luminance of measured location with Black pattern



Note 2-8: Flicker measurement

- a. Test pattern: It is listed as following.



Gray level = L0



Gray level = L511

R: Red, G: Green, B:Blue

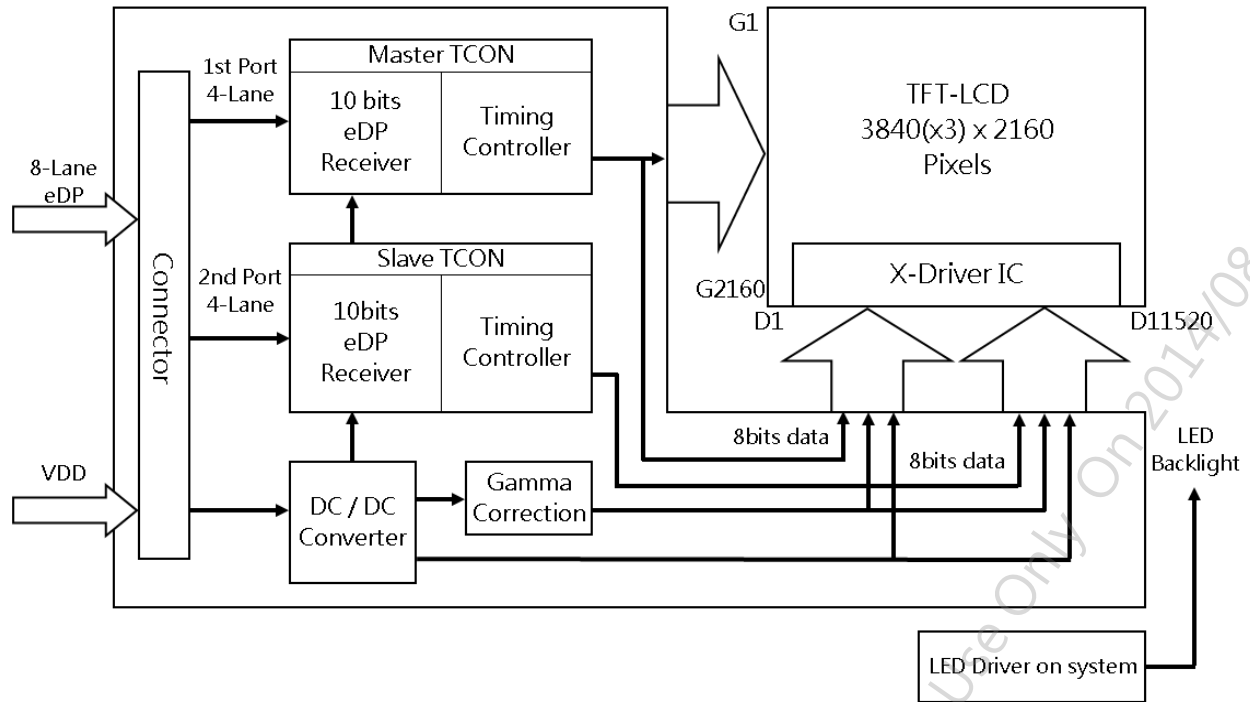
b. Measured position: Center of screen (P5) & perpendicular to the screen
($\theta = \Phi = 0^\circ$)

AUO Confidential For ELTECH Internal Use Only On 2014/08/01

3 TFT-LCD Module

3.1 Block Diagram

The following shows the block diagram of the 32.0 inch Color TFT-LCD Module.



3.2 Interface Connection

3.2.1 Connector Type

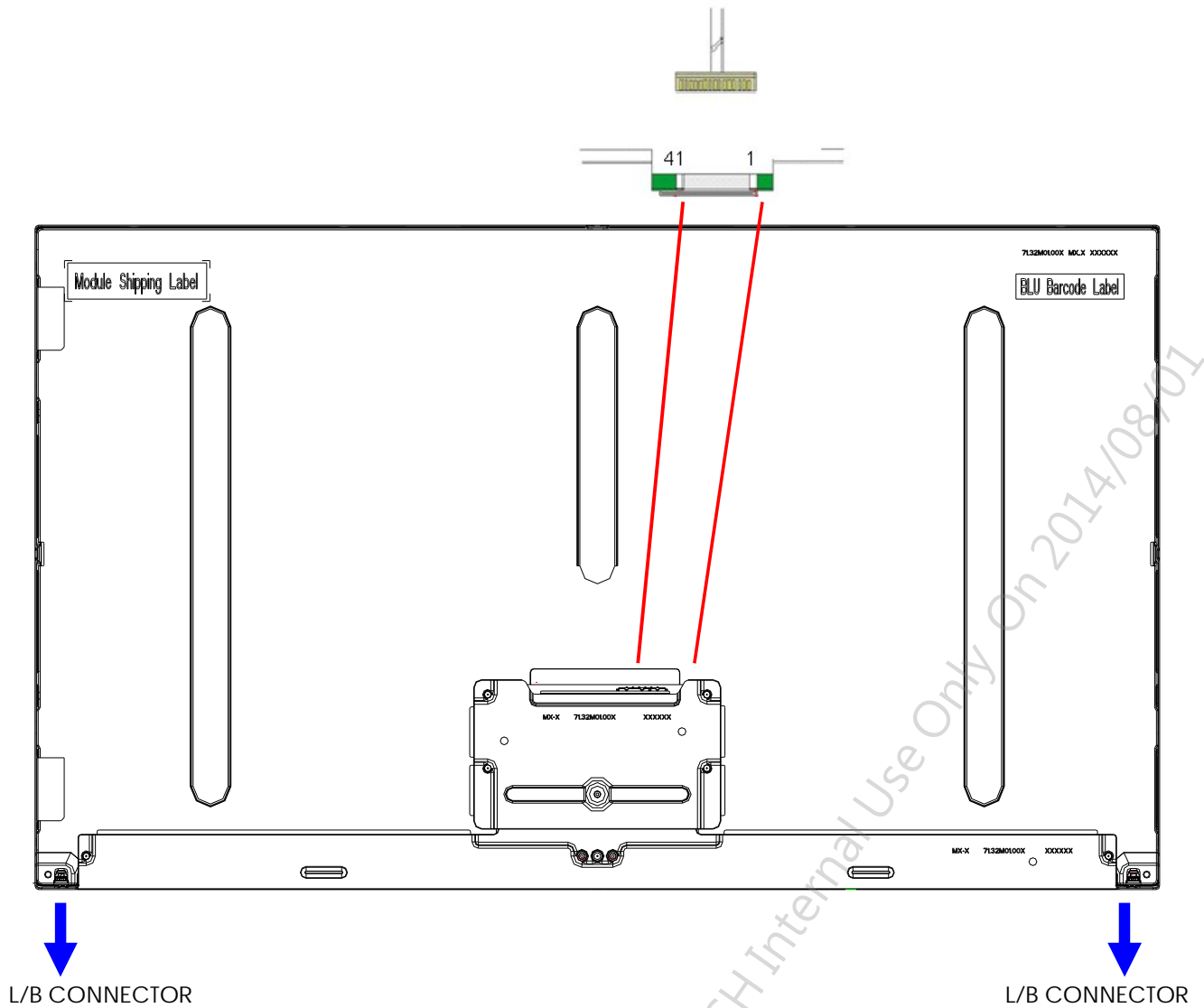
TFT-LCD Connector	Manufacturer	P-TWO	JAE
	Part Number	187060-4122	FI-RE41S-HF
Mating Connector	Manufacturer	JAE or compatible	
	Part Number	FI-RE41CL	

3.2.2 Connector Pin Assignment

PIN #	Symbol	Description	Remark
1	1st Lane3_N	Negative eDP differential data input	
2	1st Lane3_P	Positive eDP differential data input	
3	GND	Ground	
4	1st Lane2_N	Negative eDP differential data input	
5	1st Lane2_P	Positive eDP differential data input	
6	GND	Ground	
7	1st Lane1_N	Negative eDP differential data input	
8	1st Lane1_P	Positive eDP differential data input	
9	GND	Ground	
10	1st Lane0_N	Negative eDP differential data input	
11	1st Lane0_P	Positive eDP differential data input	
12	GND	Ground	
13	1st AUX_CH_P	Positive AUX Channel differential data input	
14	1st AUX_CH_N	Negative AUX Channel differential data input	
15	1st HPD	Hot plug detection	
16	2nd Lane3_N	Negative eDP differential data input	
17	2nd Lane3_P	Positive eDP differential data input	
18	GND	Ground	
19	2nd Lane2_N	Negative eDP differential data input	
20	2nd Lane2_P	Positive eDP differential data input	



21	GND	Ground	
22	2nd Lane1_N	Negative eDP differential data input	
23	2nd Lane1_P	Positive eDP differential data input	
24	GND	Ground	
25	2nd Lane0_N	Negative eDP differential data input	
26	2nd Lane0_P	Positive eDP differential data input	
27	GND	Ground	
28	2nd AUX_CH_P	Positive AUX Channel differential data input	
29	2nd AUX_CH_N	Negative AUX Channel differential data input	
30	2nd HPD	Hot plug detection	
31	NC	No connection (for AUO test only. Do not connect)	
32	NC	No connection (for AUO test only. Do not connect)	
33	NC	No connection (for AUO test only. Do not connect)	
34	NC	No connection (for AUO test only. Do not connect)	
35	GND	Ground	
36	GND	Ground	
37	GND	Ground	
38	NC	No connection	
39	VDD	Power +12V	
40	VDD	Power +12V	
41	VDD	Power +12V	



Note 3-1: Input signals of port 1 to port 4 clocks shall be the same timing.

3.3 Electrical Characteristics

3.3.1 Absolute Maximum Rating

Permanent damage may occur if exceeding the following maximum rating.

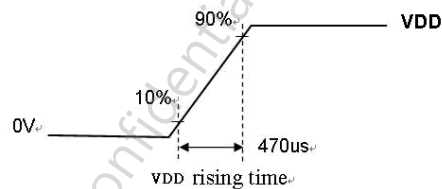
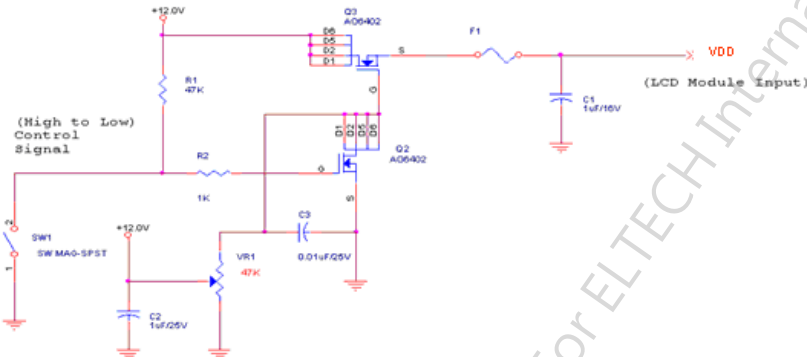
Symbol	Description	Min	Max	Unit	Remark
VDD	Power Supply Input Voltage	GND-0.3	14	[Volt]	Ta=25

3.3.2 Recommended Operating Condition

Symbol	Description	Min	Typ	Max	Unit	Remark
VDD	Power supply Input voltage	10.8	12.0	13.2	[Volt]	
IDD	Power supply Input Current (RMS)	-	0.9	1.1	[A]	VDD= 12.0V, White pattern, Fv=60Hz
PDD	VDD Power Consumption	-	10.8	13.2	[Watt]	VDD= 12.0V , White pattern, Fv=60Hz
IRush	Inrush Current	-	-	3	[A]	Note 3-2
VDDrp	Allowable VDD Ripple Voltage	-	-	VDD*5%	[mV]	VDD= 12.0V, White pattern, Fv=60Hz

Note 3-2: Inrush Current measurement:

Test circuit:

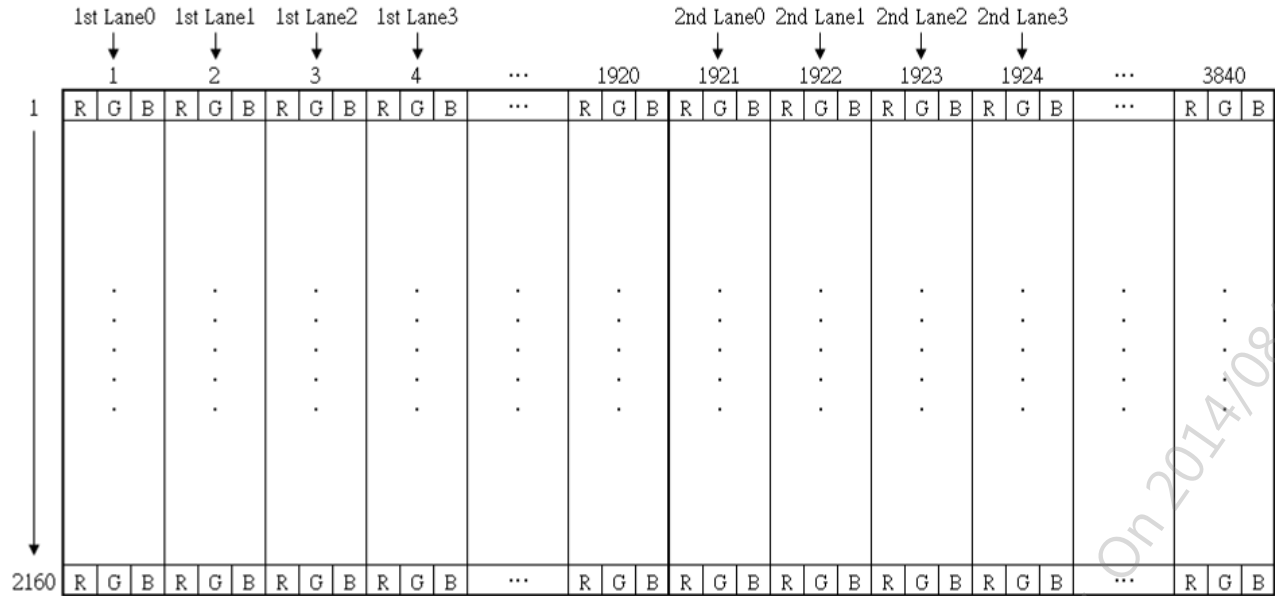


The duration of VDD rising time: 470us.

3.4 Signal Characteristics

3.4.1 LCD Pixel Format

Following figure shows the relationship between the input signals and LCD pixel format.



Note 3-3: The module use 8-Lanes eDP interface.

1st port:

1st Lane0 : 1+4n pixel

1st Lane1 : 2+4n pixel

1st Lane2 : 3+4n pixel

1st Lane3 : 4+4n pixel

2nd port:

2nd Lane0 : 1921+4n pixel

2nd Lane1 : 1922+4n pixel

2nd Lane2 : 1923+4n pixel

2nd Lane3 : 1924+4n pixel

n=0~479



3.4.2 eDP Data Format

1st Lane0	1st Lane1	1st Lane2	1st Lane3
R1-9:2	R2-9:2	R3-9:2	R4-9:2
R1-1:0IG1-9:4	R2-1:0IG2-9:4	R3-1:0IG3-9:4	R4-1:0IG4-9:4
G1-3:0IB1-9:6	G2-3:0IB2-9:6	G3-3:0IB3-9:6	G4-3:0IB4-9:6
B1-5:0IR5-9:8	B2-5:0IR6-9:8	B3-5:0IR7-9:8	B4-5:0IR8-9:8
R5-7:0	R6-7:0	R7-7:0	R8-7:0
G5-9:2	G6-9:2	G7-9:2	G8-9:2
G5-1:0IB5-9:4	G6-1:0IB6-9:4	G7-1:0IB7-9:4	G8-1:0IB8-9:4
B5-3:0IR9-9:6	B6-3:0IR10-9:6	B7-3:0IR11-9:6	B8-3:0IR12-9:6
R9-5:0IG9-9:8	R10-5:0IG10-9:8	R11-5:0IG11-9:8	R12-5:0IG12-9:8
G9-7:0	G10-7:0	G11-7:0	G12-7:0
B9-9:2	B10-9:2	B11-9:2	B12-9:2
B9-1:0IR13-9:4	B10-1:0IR14-9:4	B11-1:0IR15-9:4	B12-1:0IR16-9:4
R13-3:0IG13-9:6	R14-3:0IG14-9:6	R15-3:0IG15-9:6	R16-3:0IG16-9:6
G13-5:0IB13-9:8	G14-5:0IB14-9:8	G15-5:0IB15-9:8	G16-5:0IB16-9:8
B13-7:0	B14-7:0	B15-7:0	B16-7:0
.	.	.	.
.	.	.	.
.	.	.	.
.	.	.	.
.	.	.	.

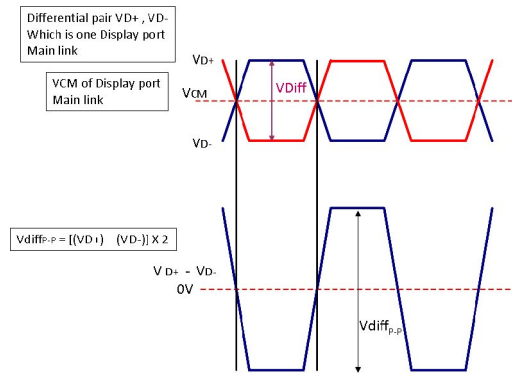
2nd Lane0	2nd Lane1	2nd Lane2	2nd Lane3
R1921-9:2	R1922-9:2	R1923-9:2	R1924-9:2
R1921-1:0IG1921-9:4	R1922-1:0IG1922-9:4	R1923-1:0IG1923-9:4	R1924-1:0IG1924-9:4
G1921-3:0IB1921-9:6	G1922-3:0IB1922-9:6	G1923-3:0IB1923-9:6	G1924-3:0IB1924-9:6
B1921-5:0IR1925-9:8	B1922-5:0IR1926-9:8	B1923-5:0IR1927-9:8	B1924-5:0IR1928-9:8
R1925-7:0	R1926-7:0	R1927-7:0	R1928-7:0
G1925-9:2	G1926-9:2	G1927-9:2	G1928-9:2
G1925-1:0IB1925-9:4	G1926-1:0IB1926-9:4	G1927-1:0IB1927-9:4	G1928-1:0IB1928-9:4
B1925-3:0IR1929-9:6	B1926-3:0IR1930-9:6	B1927-3:0IR1931-9:6	B1928-3:0IR1932-9:6
R1929-5:0IG1929-9:8	R1930-5:0IG1930-9:8	R1931-5:0IG1931-9:8	R1932-5:0IG1932-9:8
G1929-7:0	G1930-7:0	G1931-7:0	G1932-7:0
B1929-9:2	B1930-9:2	B1931-9:2	B1932-9:2
B1929-1:0IR1933-9:4	B1930-1:0IR1934-9:4	B1931-1:0IR1935-9:4	B1932-1:0IR1936-9:4
R1933-3:0IG1933-9:6	R1934-3:0IG1934-9:6	R1935-3:0IG1935-9:6	R1936-3:0IG1936-9:6
G1933-5:0IB1933-9:8	G1934-5:0IB1934-9:8	G1935-5:0IB1935-9:8	G1936-5:0IB1936-9:8
B1933-7:0	B1934-7:0	B1935-7:0	B1936-7:0
.	.	.	.
.	.	.	.
.	.	.	.
.	.	.	.
.	.	.	.

AUO Confidential For ELTECH Internal Use Only On 2014/08/01

3.4.4 eDP Specification (Follow as VESA DisplayPort Standard Version 1.2)

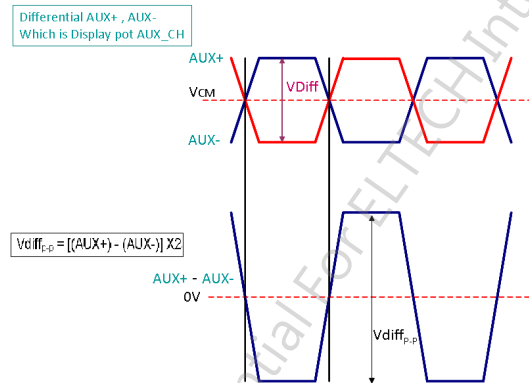
a. DisplayPort main link signal:

DisplayPort main link					
		Min	Typ	Max	unit
VCM	RX input DC Common Mode Voltage	-	0	-	V
VDiff _{P-P}	Peak-to-peak Voltage at a receiving Device	120	-	-	mV



b. DisplayPort AUX_CH signal:

DisplayPort AUX_CH					
		Min	Typ	Max	unit
VCM	AUX DC Common Mode Voltage		0.5		V
VDiff _{P-P}	AUX Peak-to-peak voltage at a receiving device	0.32	0.6	1.32	V



c. DisplayPort VHPD signal:

DisplayPort VHPD					
		Min	Typ	Max	unit
VHPD	HPD Voltage	2.25	-	3.6	V

3.4.5 Input Timing Specification

The input timing is shown as the following table.

Symbol	Description		Min.	Typ.	Max.	Unit	Remark
Tv	Vertical Section	Period	2180	2200	2372	Th	
Tdisp (v)		Active	2160	2160	2160	Th	
Tblk (v)		Blanking	20	40	212	Th	
Fv		Frequency	59	60	61	Hz	
Th	Horizontal Section	Period	2026	2100	2176	Tclk	
Tdisp (h)		Active	1920	1920	1920	Tclk	
Tblk (h)		Blanking	106	180	256	Tclk	
Fh		Frequency	128.62	132.00	138.20	kHz	Note 3-4
Tclk	Pixel Clock	Period	3.84	3.61	3.57	ns	1/Fclk
Fclk		Frequency	260.58	277.20	280.00	MHz	Note 3-5
Link Rate per Lane			2.7			Gbps	

Note 3-4: The equation is listed as following. Please don't exceed the above recommended value.

$$Fh (\text{Min.}) = Fclk (\text{Min.}) / Th (\text{Min.})$$

$$Fh (\text{Typ.}) = Fclk (\text{Typ.}) / Th (\text{Typ.})$$

$$Fh (\text{Max.}) = Fclk (\text{Max.}) / Th (\text{Min.})$$

Note 3-5: The equation is listed as following. Please don't exceed the above recommended value.

$$1\text{st Lane N \& 2nd Lane N skew} < 200\text{ns}$$

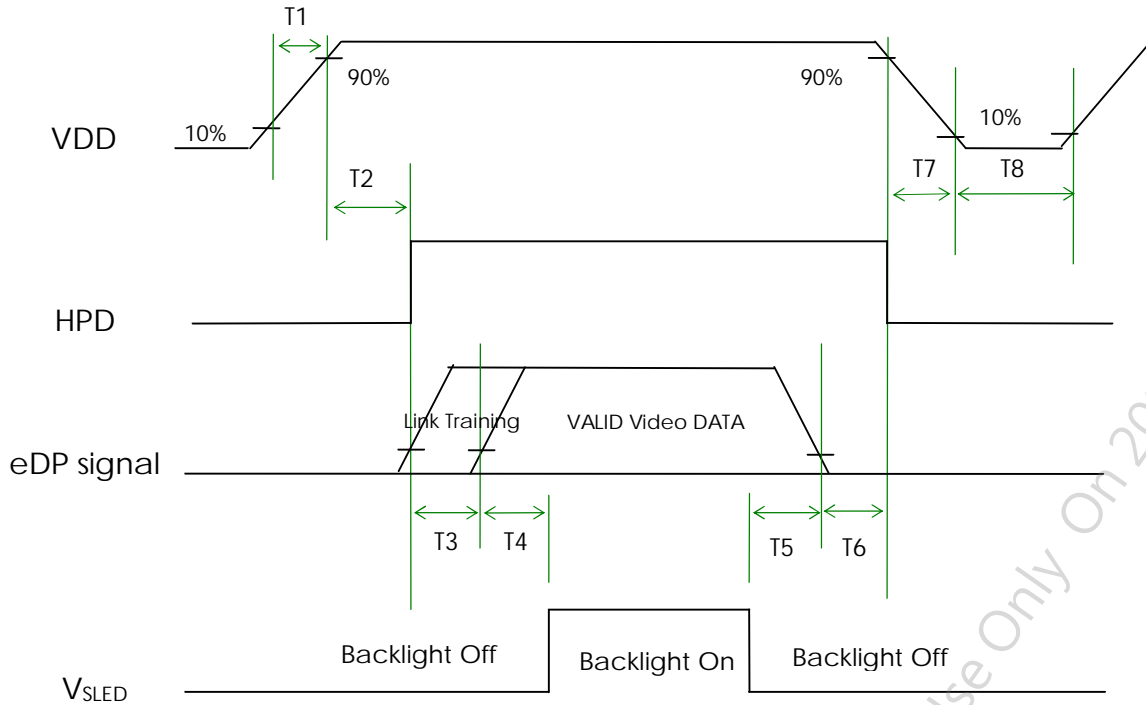
$$Fclk (\text{Min.}) = Fv (\text{Min.}) \times Th (\text{Min.}) \times Tv (\text{Min.})$$

$$Fclk (\text{Typ.}) = Fv (\text{Typ.}) \times Th (\text{Typ.}) \times Tv (\text{Typ.})$$

$$Fv \times Th \times Tv = Fclk (\text{Max.})$$

3.5 Power ON/OFF Sequence

VDD power, eDP signal and backlight on/off sequence are as following. eDP signals from any system shall be Hi-Z state when VDD is off.



Power Sequence Timing

Symbol	Value			Unit	Remark
	Min.	Typ.	Max.		
T1	0.5	-	10	[ms]	
T2	0	-	200	[ms]	
T3	0	-	-	[ms]	Note 3-6
T4	500	-	-	[ms]	
T5	100	-	-	[ms]	
T6	0	-	50	[ms]	Note 3-7 Note 3-8
T7	0	-	150	[ms]	Note 3-8
T8	1000	-	-	[ms]	

Note 3-6: During T3 period, eDP link training time by customer's system.

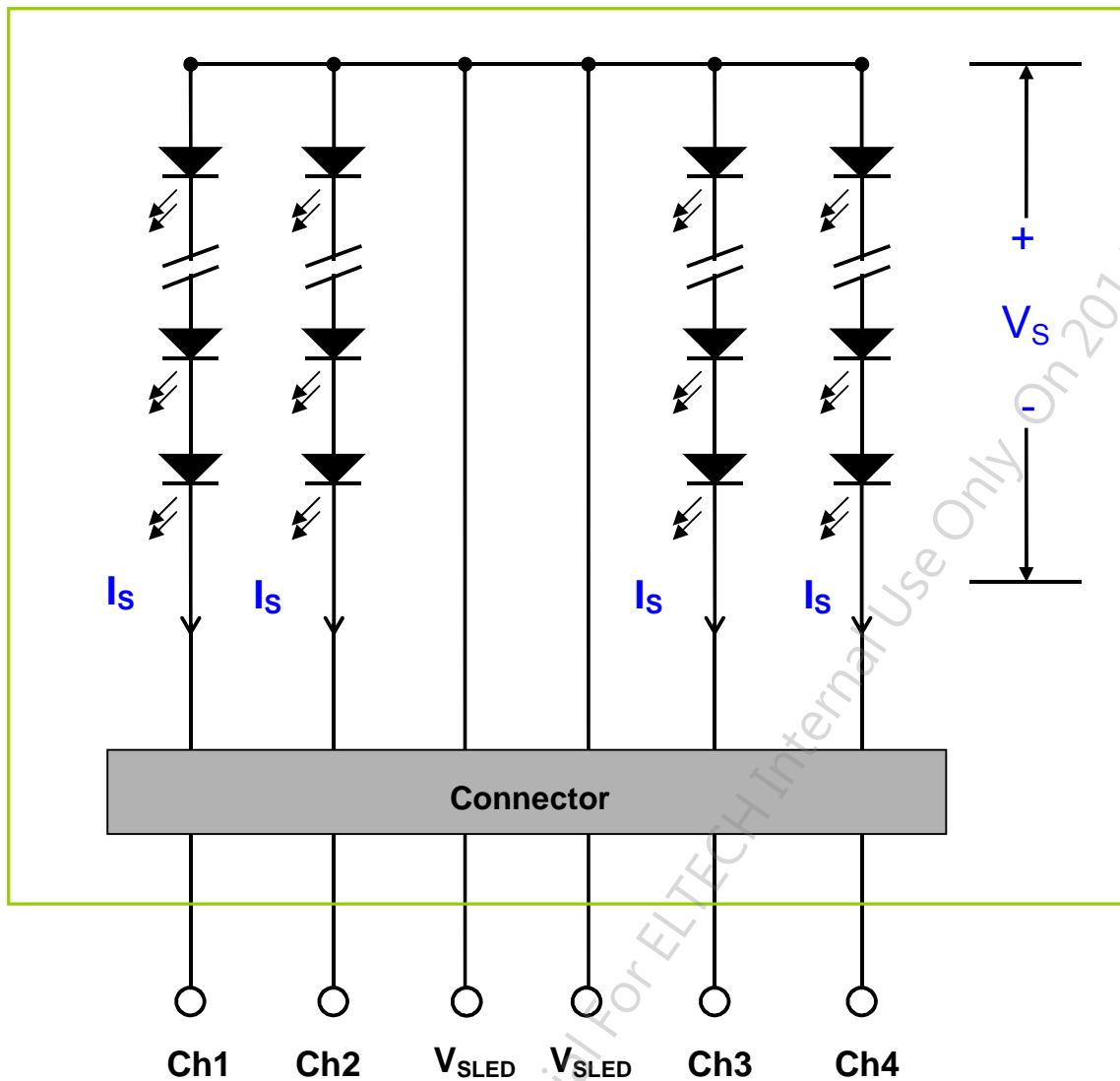
Note 3-7: Recommend setting T6 = 0ms to avoid electronic noise when VDD is off.

Note 3-8: During T6 and T7 period, please keep the level of input eDP signals with Hi-Z state.

4 Backlight Unit

4.1 Block Diagram

The following shows the block diagram of the 32.0 inch Backlight Unit. And it includes 2 pcs LED light bar in Backlight Unit. Each LED light bar includes 44 pcs LED package. (4 strings and 11 pcs LED of one string).



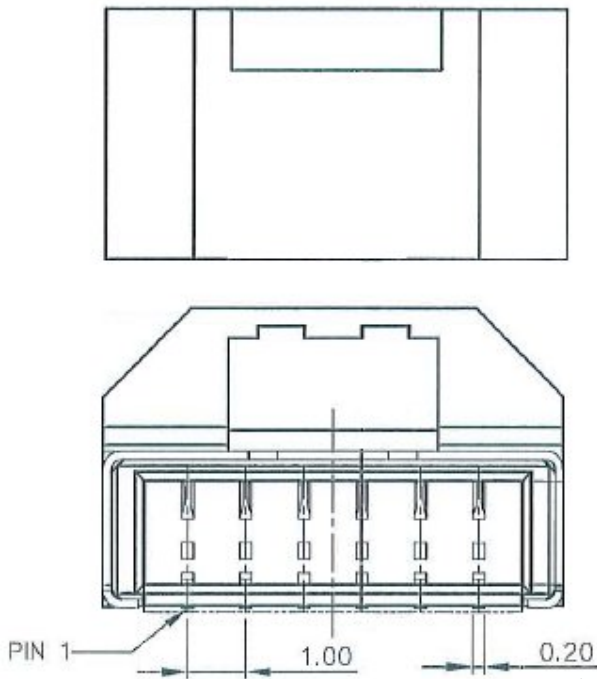
4.2 Interface Connection

4.2.1 Connector Type

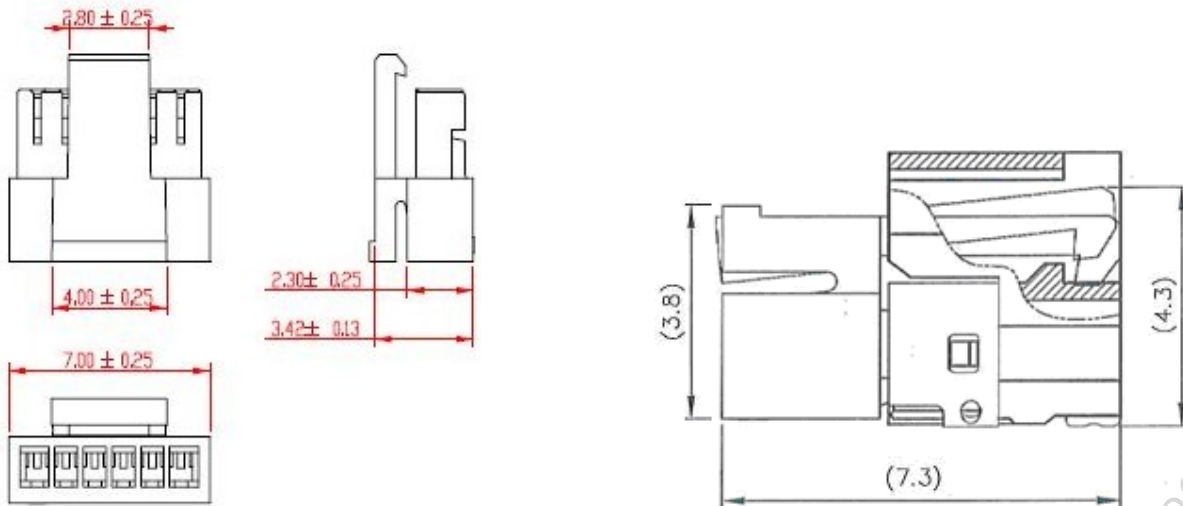
Backlight Connector	Manufacturer	ENTERY
	Part Number	3707K-S06N-07L
Mating Connector	Manufacturer	ENTERY
	Part Number	H112K-P06N-00B (Non-Locking type) H112K-P06N-11B(White) (Locking type) H112K-P06N-13B(Black) (Locking type)

Backlight Connector dimension:

$H \times V \times D = 13.9 \times 3.00 \times 4.25$, Pitch = 1.0(unit = mm)



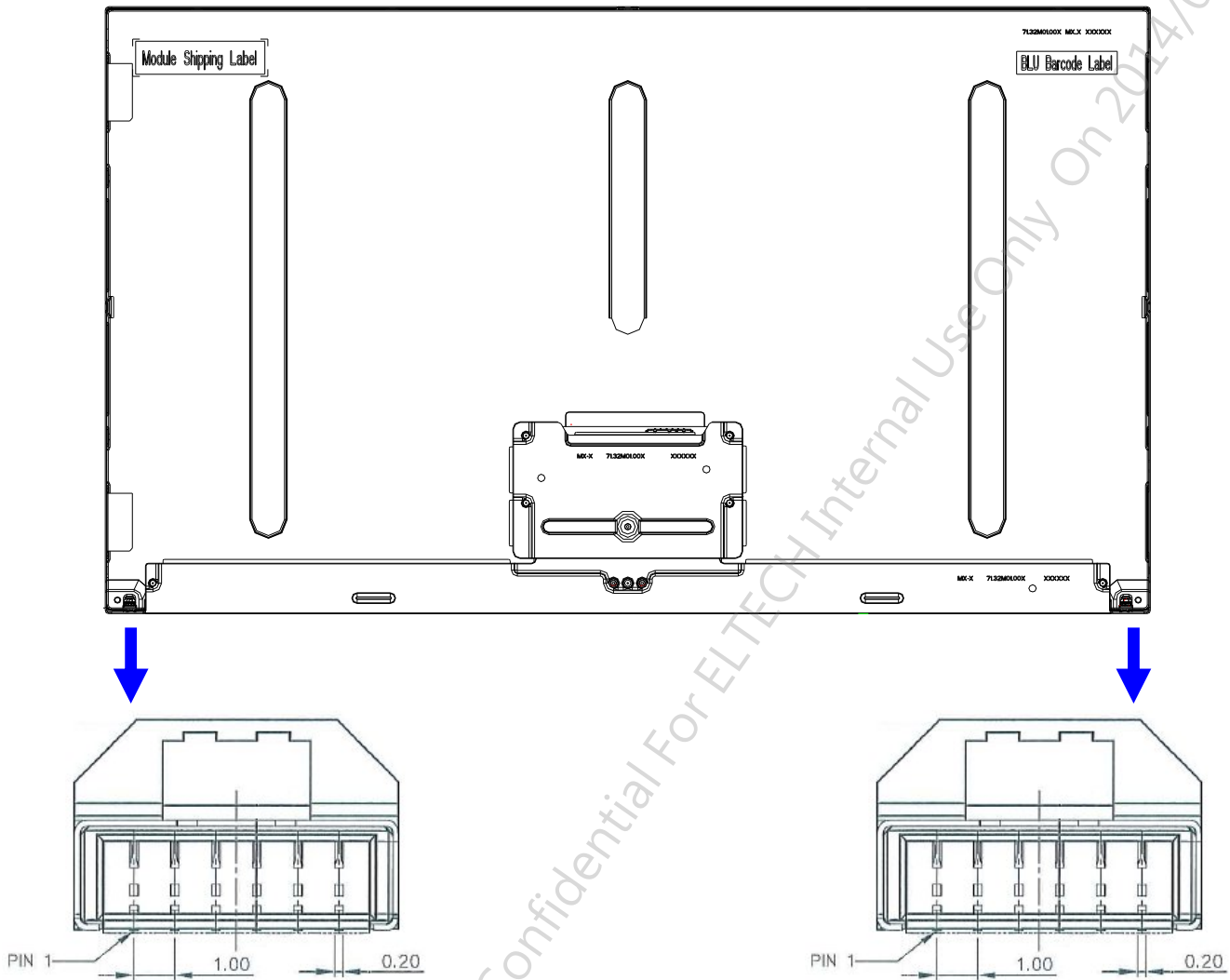
Mating Connector dimension:



AUO Confidential For ELTECH Internal Use Only On 2014/08/01

4.2.2 Connector Pin Assignment

Pin#	Symbol	Description	Remark
1	Ch1	LED Current Feedback Terminal (Channel 1)	
2	Ch2	LED Current Feedback Terminal (Channel 2)	
3	V _{SLED}	LED Power Supply Voltage Input Terminal	
4	V _{SLED}	LED Power Supply Voltage Input Terminal	
5	Ch3	LED Current Feedback Terminal (Channel 3)	
6	Ch4	LED Current Feedback Terminal (Channel 4)	



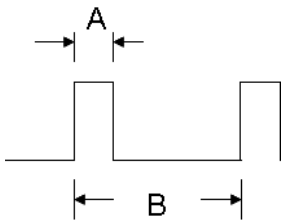
4.3 Electrical Characteristics

4.3.1 Absolute Maximum Rating

Permanent damage may occur if exceeding the following maximum rating.

(Ta=25 °C)

Symbol	Description	Min	Max	Unit	Remark
Is	LED String Current	0	150	[mA]	100% duty ratio
			300	[mA]	Duty ratio 10% Pulse time=10 ms



Duty ratio= (A / B) X 100% ; (A: Pulse time, B: Period)

4.3.2 Recommended Operating Condition

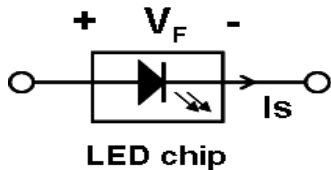
(Ta=25 °C)

Symbol	Description	Min.	Typ.	Max.	Unit	Remark
Is	LED String Current	-	120	132	[mA]	100% duty ratio of LED chip
Vs	LED String Voltage	33	36.3	39.6	[Volt]	Is=120mA @ 100% duty ratio; Note 4-1& Note 4-5
ΔVs	Maximum Vs Voltage Deviation of light bar	-	-	2.2	[Volt]	Is=120mA @ 100% duty ratio; Note 4-2
P _{BLU}	LED Light Bar Power Consumption	-	34.8	38	[Watt]	Note 4-3
LT _{LED}	LED Life Time	30,000	-	-	[Hour]	Note 4-4
OVP	Over Voltage Protection in system board	110% Vs (max)	-	-	[Volt]	Note 4-5

Note 4-1: V_s (Typ.) = V_F (Typ.) X LED No. (one string);

a. V_F : LED chip forward voltage, V_F (Min.)=3.0V, V_F (Typ.)=3.3V, V_F (Max.)=3.6V

b. The same equation to calculate V_s (Min.) & V_s (Max.) for respective V_F (Min.) & V_F (Max.);



Note 4-2: ΔV_s (Max.) = ΔV_F X LED No. (one string);

a. ΔV_F : LED chip forward voltage deviation (0.2V , each Bin of LED V_F)

Note 4-3: P_{BLU} (Typ.) = V_s (Typ.) X I_s (Typ.) X 8 (8 is total String No. of BLU)

P_{BLU} (Max.) = V_s (Max.) X I_s (Typ.) X 8

Note 4-4: Definition of life time:

a. Brightness of LED becomes to 50% of its original value

b. Test condition: I_s = 120mA and 25 (Room Temperature)

Note 4-5: Recommendation for LED driver power design:

Due to there are electrical property deviation in LED & monitor set system component after long time operation. AUO strongly recommend the design value of LED driver board OVP (over voltage protection) should be 10% higher than max. value of LED string voltage (V_s) at least.

Note 4-6: AUO strongly recommend "Analog Dimming" method for backlight brightness control for Wavy Noise Free. Otherwise, recommend that Dimming Control Signal (PWM Signal) should be synchronized with Frame Frequency

5 Reliability Test

AUO reliability test items are listed as following table. (Bare Panel only)

Items	Condition	Remark
Temperature Humidity Bias (THB)	Ta= 50 , 80%RH, 300hours	
High Temperature Operation (HTO)	Ta= 50 , 50%RH, 300hours	
Low Temperature Operation (LTO)	Ta= 0 , 300hours	
High Temperature Storage (HTS)	Ta= 60 , 300hours	
Low Temperature Storage (LTS)	Ta= -20 , 300hours	
Vibration Test (Non-operation)	Frequency:10~57Hz/Vibration width(one side):0.075mm : 58~500Hz/Acceleration:9.8 m/s ² Sweep time: 11minutes Test period: 3 hours(1h for each direction of X,Y,Z)	
Shock Test (Non-operation)	Acceleration: 50 G Wave: Half-sine Active Time: 20 ms Direction: ±X, ±Y, ±Z (one time for each Axis)	
Thermal Shock Test (TST)	-20 /30min, 60 /30min, 100 cycles	Note 5-1
On/Off Test	On/10sec, Off/10sec, 30,000 cycles	
ESD (Electro Static Discharge)	Contact Discharge: ± 15KV, 150pF(330Ω) 1sec, 8 points, 25 times/ point.	Note 5-2
	Air Discharge: ± 15KV, 150pF(330Ω) 1sec 8 points, 25 times/ point.	
Altitude Test	Operation:18,000 ft Non-Operation:40,000 ft	

Note 5-1: a. A cycle of rapid temperature change consists of varying the temperature from -20 to 60 , and back again. Power is not applied during the test.

b. After finish temperature cycling, the unit is placed in normal room ambient for at least 4 hours before power on.

Note 5-2: EN61000-4-2, ESD class B: Certain performance degradation allowed

No data lost







Self-recoverable

No hardware failures.

6 Shipping Label


The label is on the panel as shown below:



	Manufactured XX/XX Model No: M320QAN01.0 AU Optronics XXXXX MADE IN XXXXXX (XX)		
XXXXXXXXXXXXXXXX-XXXXX			
			
XXXXXXXXXXXXXXXXXXXXXXXX			

Note 6-1: For Pb Free products, AUO will add  for identification.

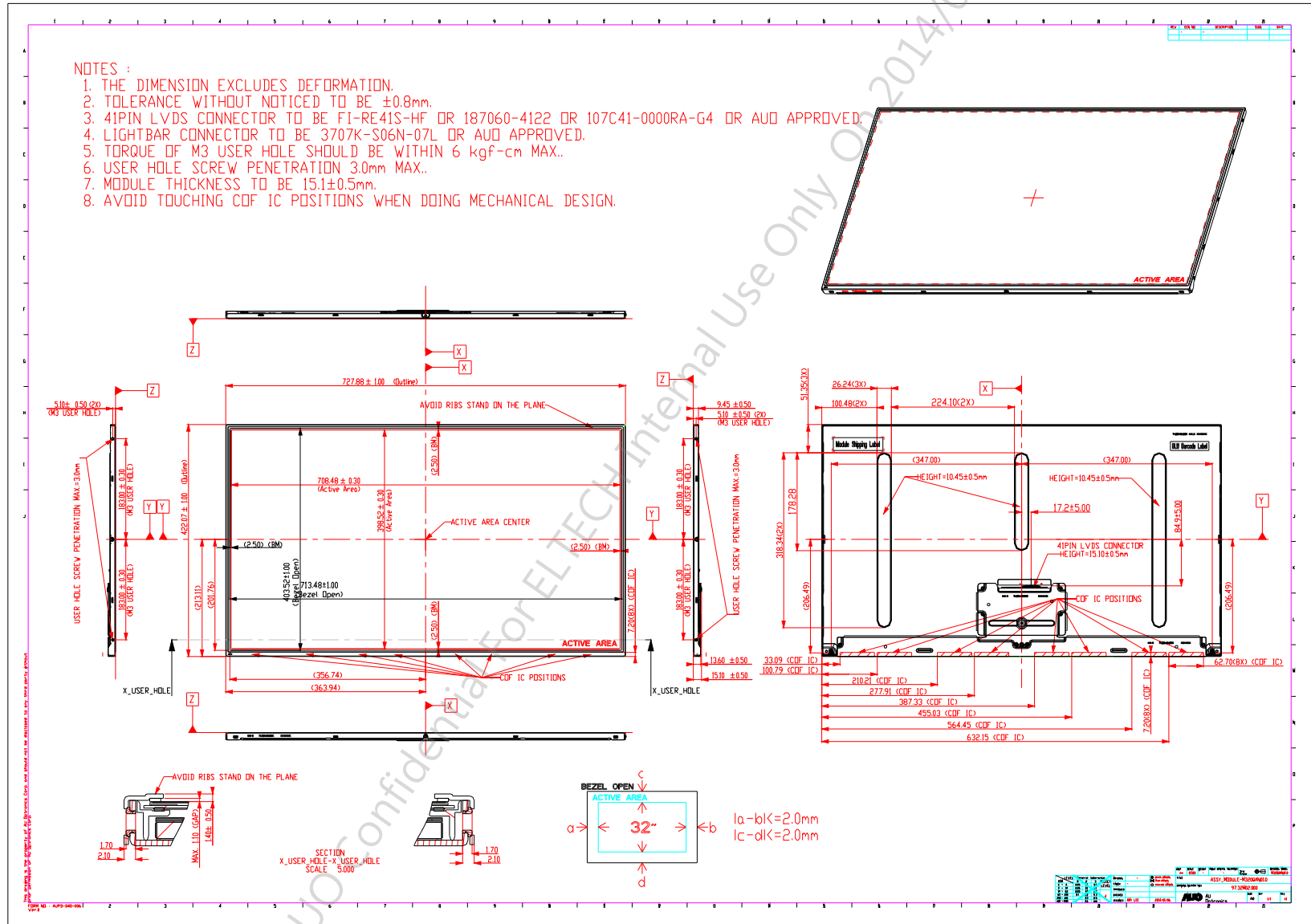
Note 6-2: For RoHS compatible products, AUO will add  for identification.

Note 6-3: For China RoHS compatible products, AUO will add  for identification.

Note 6-4: The Green Mark will be presented only when the green documents have been ready by AUO Internal Green Team.

AUO Confidential For ELTECH Internal Use Only On 2014/08/01

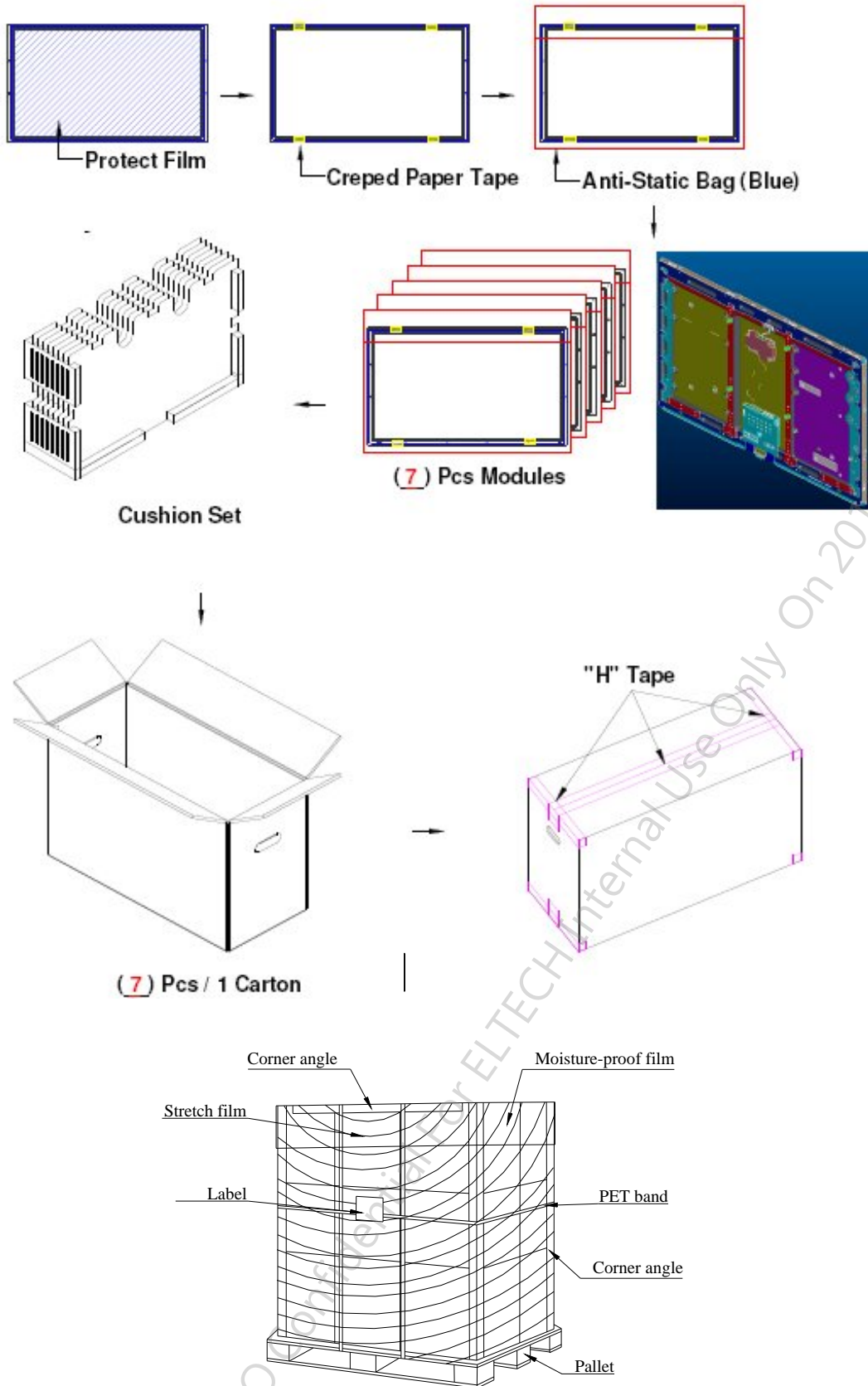
7 Mechanical Characteristics



Ver 1.1

8 Packing Specification

8.1 Packing Flow



8.2 Pallet and shipment information

Item	Specification			Remark
	Q'ty	Dimension	Weight(kg)	
Panel	1	727.88(H)mm x 422.07(V)mm x 15.1(D)mm	5.16	
Cushion	1	-	6.876	
Box	1	805(L)mm x 280(W)mm x 512(H)mm		without Panel & cushion
Packing Box	7 pcs/Box	805(L)mm x 280(W)mm x 512(H)mm	42.436	with panel & cushion
Pallet	1	1150(L)mm x 840(W)mm x 132(H)mm	13.8	
Pallet after Packing	8 boxes/pallet	1150(L)mm x 840(W)mm x 1156(H)mm	353.3	

AUO Confidential For ELTECH Internal Use Only On 2014/08/01