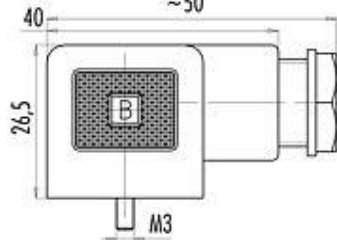
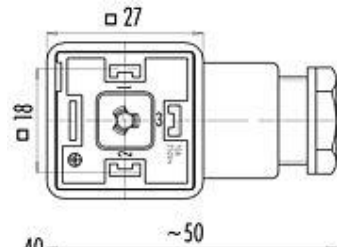
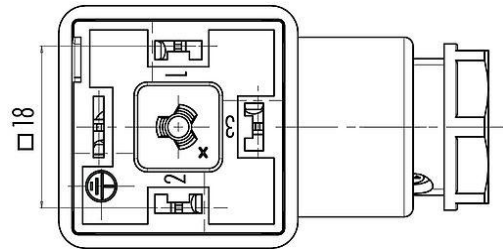
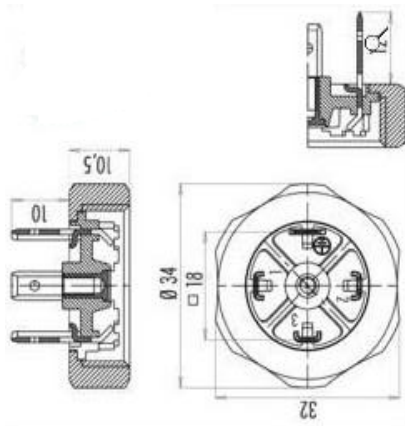


未注公差/General tolerances(mm)														
>0	>3	>6	>10	>18	>30	>50	>80	>120	>180	>250	>315	>400	>500	0.1/10
~3	~6	~10	~18	~30	~50	~80	~120	~180	~250	~315	~400	~500		
±0.15	±0.20	±0.25	±0.30	±0.35	±0.40	±0.60	±0.80	±0.95	±1.00	±1.20	±1.60	±2.20	±2.50	±2℃

符号/SIGN	描述/DESCRIPTION	修订者/DRAWN	日期/DATE



Female connector



Male connector

Technical information

Interface area	Min 0.34 mm ² , Max 1.5 mm ²
Interface area (AWG)	Min AWG 22, Max AWG 16
Cable range	6 - 8 mm
IP	IP 67
life time	>50 Plugging
Temp.	+120 ° C
Temp.	-30 ° C
Voltage	250 V
Impulse Voltage	4000 V
pollution degree	3
Current	10 A

Part No.: M27X1.5TL
M27X1.5 - series of DIN-43650A connector
TL - modification of connector (Female connector 4 pins plus Male connector 4 pins)

Housings material: LCP
Number of Pins: 4 pins
Material of Pins: copper alloy SMD 1P PCB board welding

ITEM 序号	NAME OF PART 部件名称	Material 材料	NOTES 备注	QTY 用量
②	端子/Terminal	磷铜	镀锡	1
①	主座/Housing	LCP		1

	Manu.	Xiamen Fucon IMP.&EXP. CO.,LTD	SHEET: 1/1
	PATE NO./成品料号	02.07.011.0001	SCALE: 1:1
	CUST NO./客户料号	/	REV.: A01
APPROVED/审批	何跃雄 2021.12.15	MODFL:	M27x1.5TL
CHECKED/核准	胡德权 2021.12.15		
DRAWN/制图	陈燕龙 2021.12.15	DRAWING NO.	
	SIZE: A4	TYPE/图纸类型: CUSTOMER_DRAWING	