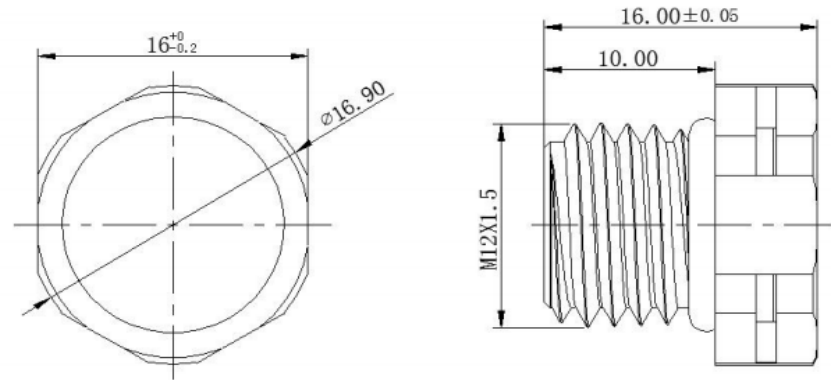
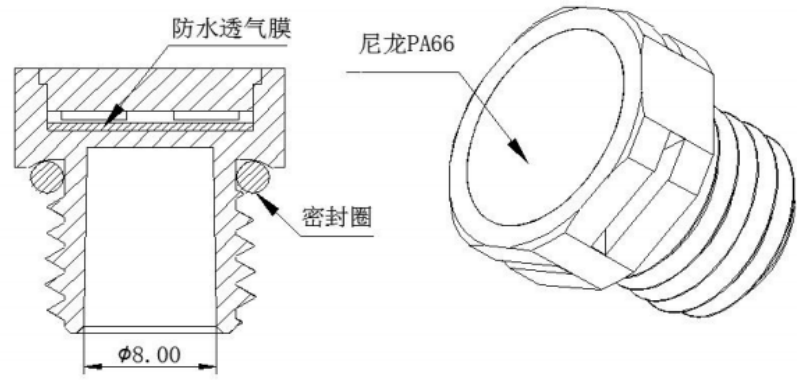




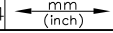
5	6	7	8
符号/SIGN	描述/DESCRIPTION	修订者/DRAWN	日期/DATE



Datesheet:

Item Size: M12x1.5 -10
 breathability >1500ml/min/70mbar
 stillwater-fast pressure >100mbar for 30min
 IP67
 Material PA66 Nylon
 Working Temperature -40-125°C



 FUCON	CAT NO./认证型号		SHEET: 1/1
	PATE NO./成品料号		SCALE: 1:1
	CUST NO./客户料号		EV.: A01
APPROVED/审批	何跃雄	2021.12.15	M12x1.5Valve
CHECKED/核准	胡德权	2021.12.15	
DRAWN/制图	陈燕龙	2021.12.15	
  SIZE: A4	 mm (inch)	TYPE/图纸类型: CUSTOMER_DRAWING	