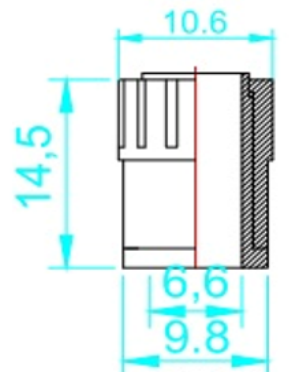
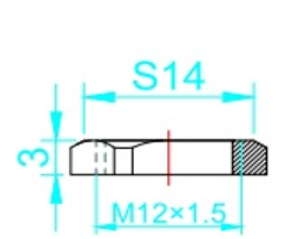
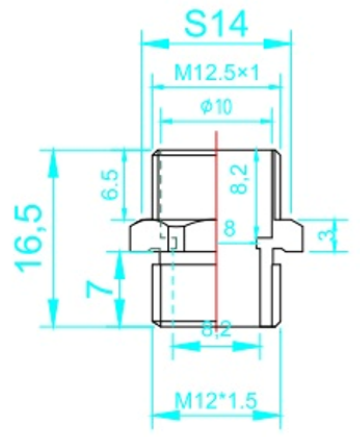
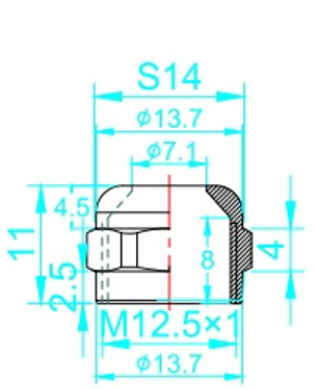


| | | | |
|---------|----------------|-----------|---------|
| 5 | 6 | 7 | 8 |
| 符号/SIGN | 描述/DESCRIPTION | 修订者/DRAWN | 日期/DATE |
| | | | |
| | | | |



Datesheet:

- Item: M12x1.5
- Cable range: 3-6.5
- Thread O.D (mm): 12mm
- Thread length(mm):7mm
- Panner Size(MM):14mm
- Material Brass

| | | | |
|-------------|---------------|------------|-----------------------------|
| | CAT NO./认证型号 | | SHEET: 1/1 |
| | PATE NO./成品料号 | | SCALE: 1:1 |
| | CUST NO./客户料号 | | EV.: A01 |
| APPROVED/审批 | 何跃雄 | 2021.12.15 | M12x1.5B |
| CHECKED/核准 | 胡德权 | 2021.12.15 | |
| DRAWN/制图 | 陈燕龙 | 2021.12.15 | |
| | SIZE: A4 | | TYPE/图纸类型: CUSTOMER_DRAWING |