

ZHAGA SERIES

MODEL: LT600



APPLICATIONS

- LED luminaires that require dusk to dawn control.
- Street and Area Lighting
- Management System
- Outdoor Lighting Fixture
 - Parking Lots
 - Security Lighting
 - Roadway Lighting
 - Wall Packs



ZHAGA RECEPTACLE
LT600

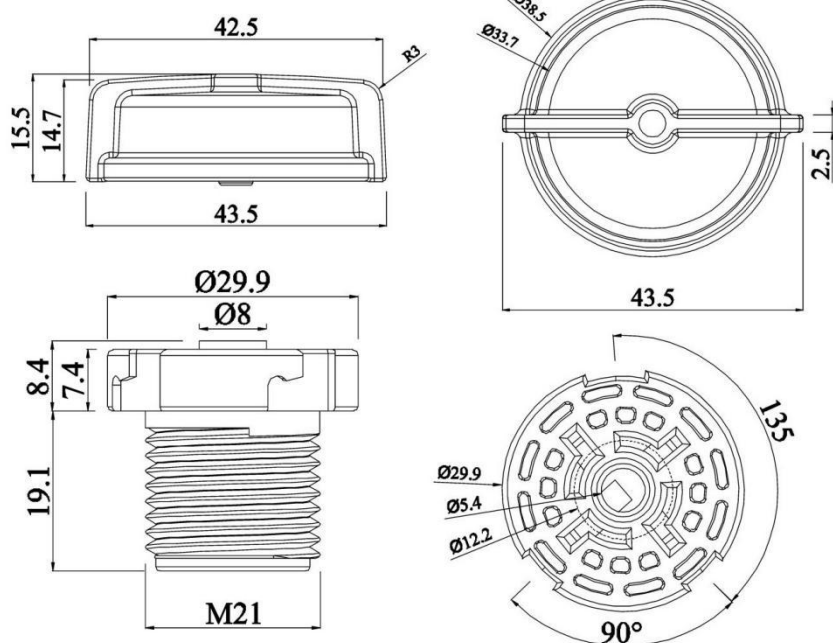
TECHNICAL SPECIFICATION

Standard	Zhaga Book 18
Rating	1.5A, 30V
Dielectric Withstand	10KV to mounting surface
4PIN Contacts	Pin 1: 24VDC (Brown Wire) Pin 2: DALI - (Grey Wire) Pin 3: DALI + (Violet Wire) Pin 4: General I/O (Blue Wire)
Ingress Protection	IP65/66
Housing Materials	High Temperature Resistance Polybutylene Terephthalate
Gasket	Silicon Materials
Mounting Ring	Aluminum Materials
Wire	UL1015 18AWG*16cm

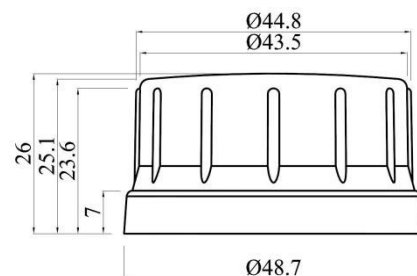
Accessory Selection Information

	Model		Description	Height
40 SERIES		LT600B-40	Φ40 Base	/
		LT600C-C1025	Cover	25mm
		LT600C-C1040	Cover	40mm
76 SERIES		LT600B-76	Φ76 Base	/
		LT600C-C1055	Cover	55mm

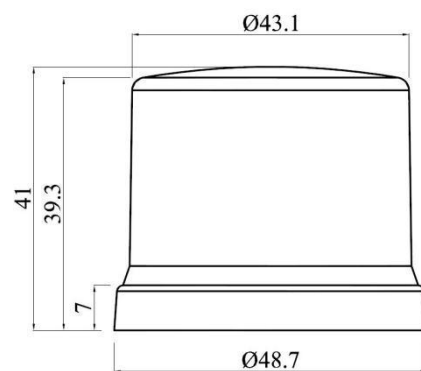
DIMENSION



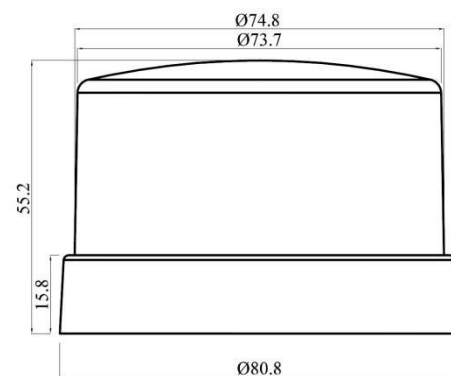
LT600



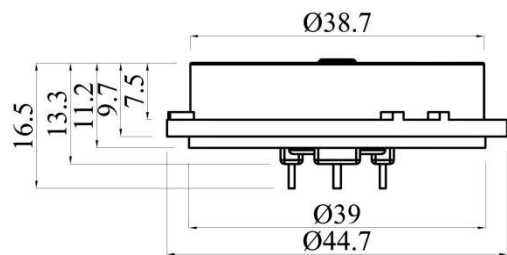
LT600C-C1025



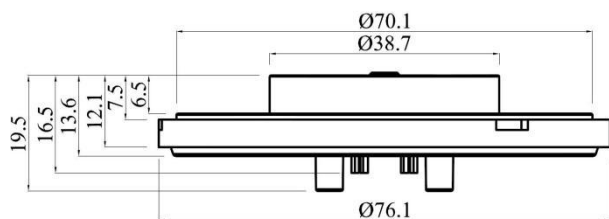
LT600C-C1040



LT600C-C1055



LT600B-40



LT600B-76