

ANSI C136.41 TOOL-FREE ROTATABLE DIMMING RECEPTACLE

MODEL: LT635

LT635 Type receptacle, new dimming receptacle conforming to ANSI C136.41, that ideal for outdoor commercial and utility lighting. ANSI C136.41 compliant dimming receptacle is available with 5 or 7 wires and 2 or 4 dimming contacts to support either 0-30 VDC dimming methods or Digital Addressable Lighting Interface (DALI), while providing a reliable power interconnect with three strong twist lock contacts.

TECHNICAL SPECIFICATION

Standard	ANSI C136.41 & UL773
UL File No.	E492075
Frequency	50-60 Hz
Voltage Rating	Power Contacts: 480V Dimming Contacts: 30V
Current Rating	Power Contacts: 15A Dimming Contacts: 0.25A
Operating Temperature	-40°C to +70°C
Related Humidity	99%
Insulation	3000V / 60Hz / 1min
Housing	PA66
5 Position	3 power contacts 2 dimming/signal contacts
7 Position	3 power contacts 4 dimming/signal contacts
Wire	Power Line: UL1015 14AWG (16AWG) Signal Line: UL1015 18AWG
Accessory	Installation Ring




LT635-5PIN

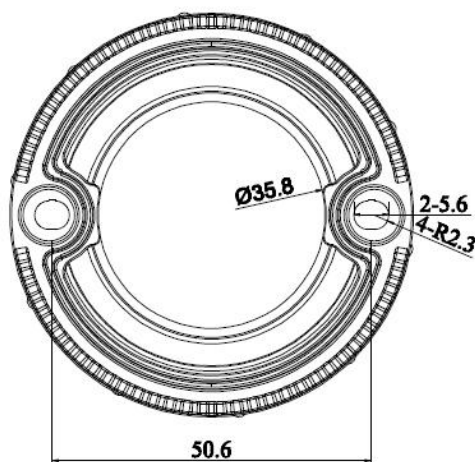
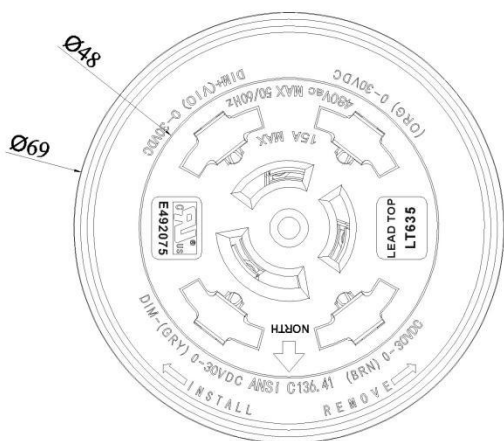
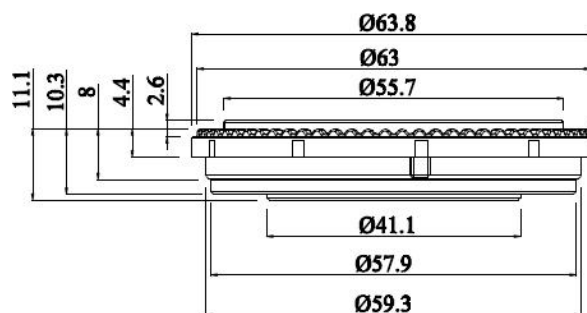
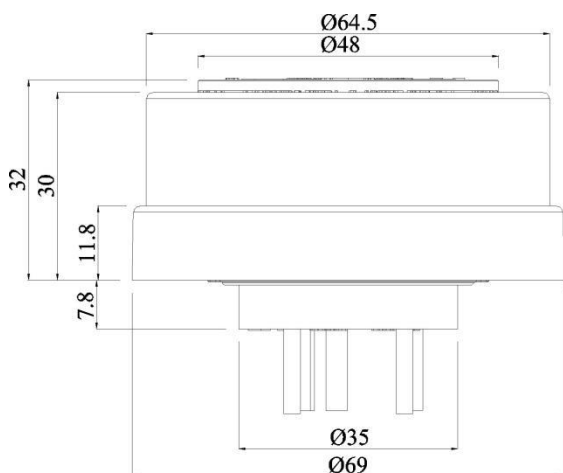


LT635-7PIN

PRODUCT SELECTION INFORMATION

MODEL	-	POSITION	-	WIRE SIZE	-	WIRE LENGTH
LT635		5PIN: 5 Position		W14: UL1015 14AWG		Lzz
		7PIN: 7 Position		W16: UL1015 16AWG		(zz: 01-99cm)

DIMENSION



WIRING DIAGRAM

