

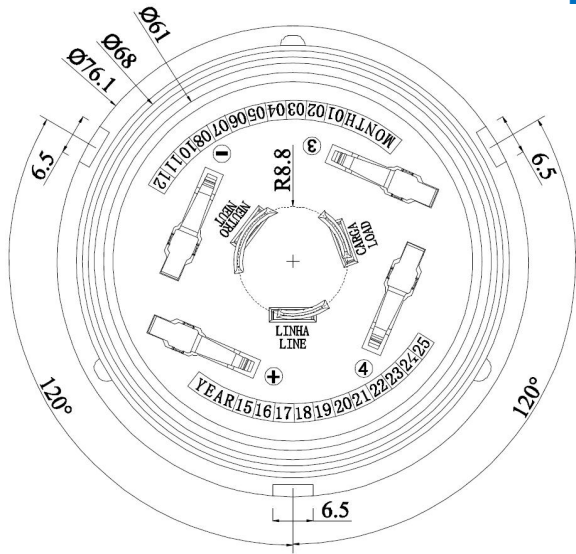
## 5PIN/7PIN PHOTO CONTROL BASE AND COVER

### TECHNICAL SPECIFICATION

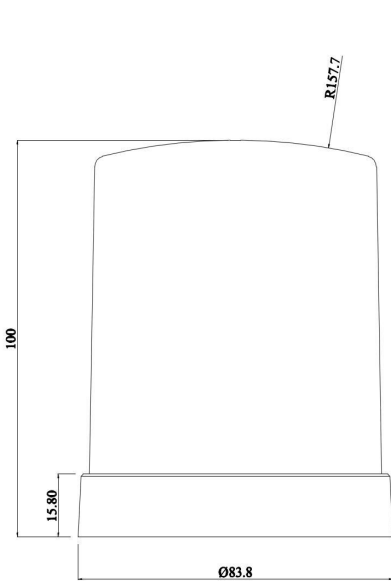
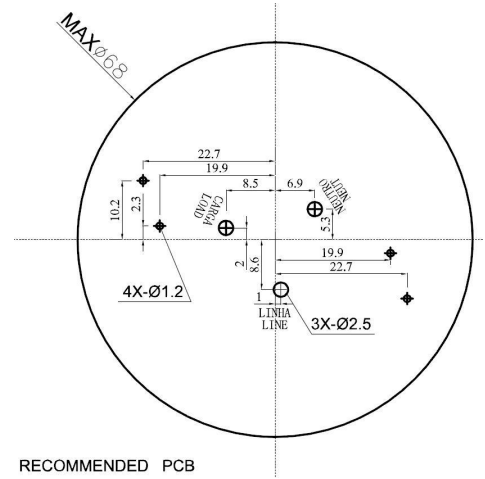
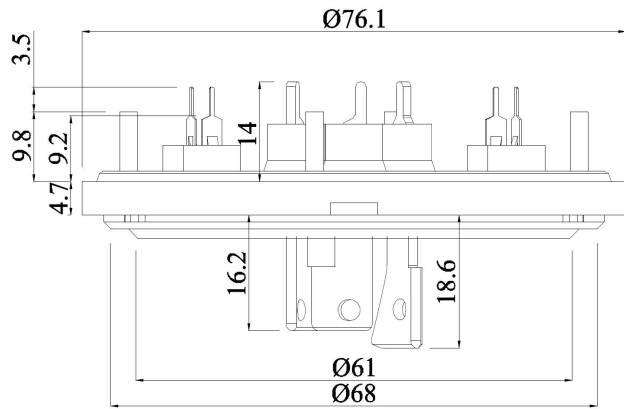
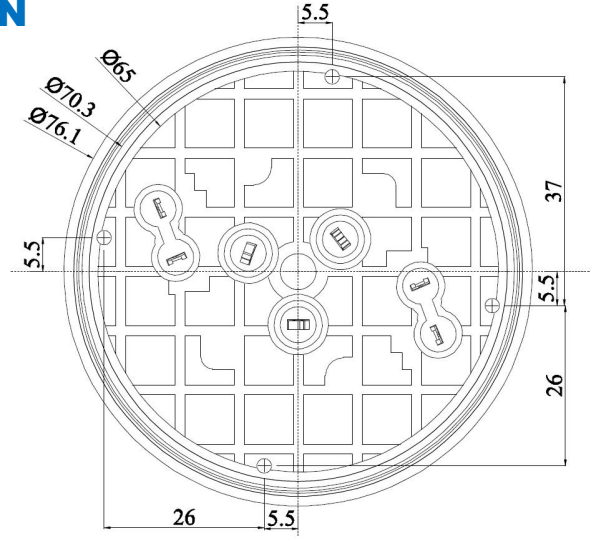
BASE LT100B-5PIN & 7PIN	
Standard	ANSI C136.41-2013
Rated Voltage	Power: 0-480VAC Contact: 0-30VDC
Rated Load	Power: 15A Contact: 250mA
Base	High Temperature Resistance Polybutylene Terephthalate (PBT)
Power Pin	Brass with Tin Plate
Contact Pin	Phosphor Copper with tinplating and gold plating on contact segment
5 Position	3 power contacts 2 dimming/signal contacts
7 Position	3 power contacts 4 dimming/signal contacts
Operating Temperature	-40°C to +70°C
COVER LT100C-C3100 & C3130	
Material	Anti-UV Impact Resistance Polycarbonate
Thickness	3mm
Height	LT100C-C3100: 100mm LT100C-C3130: 130mm
Operating Temperature	-40°C to +70°C
Color	Clear Black



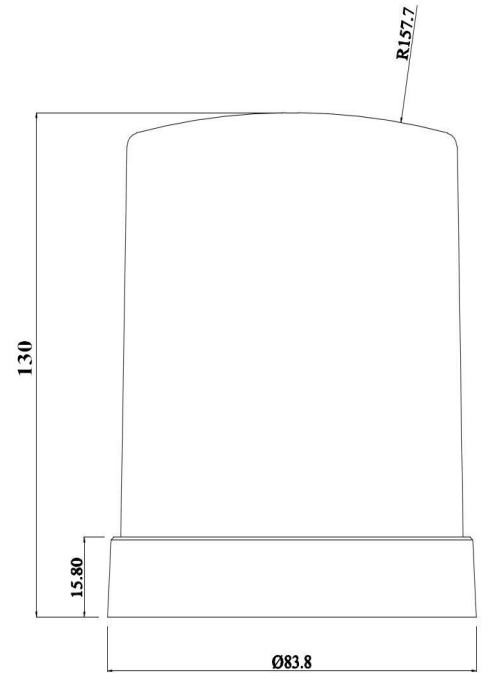
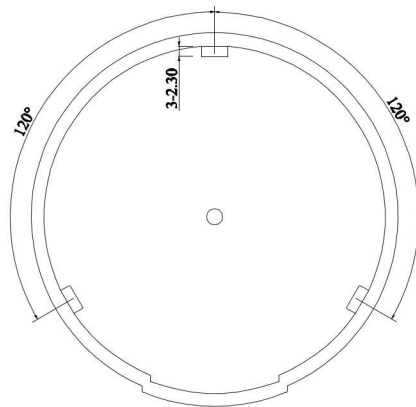
**DIMENSION**



**LT100B**



**LT100C-C3100**



**LT100C-C3130**