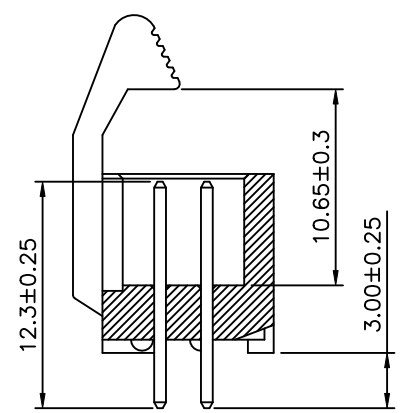
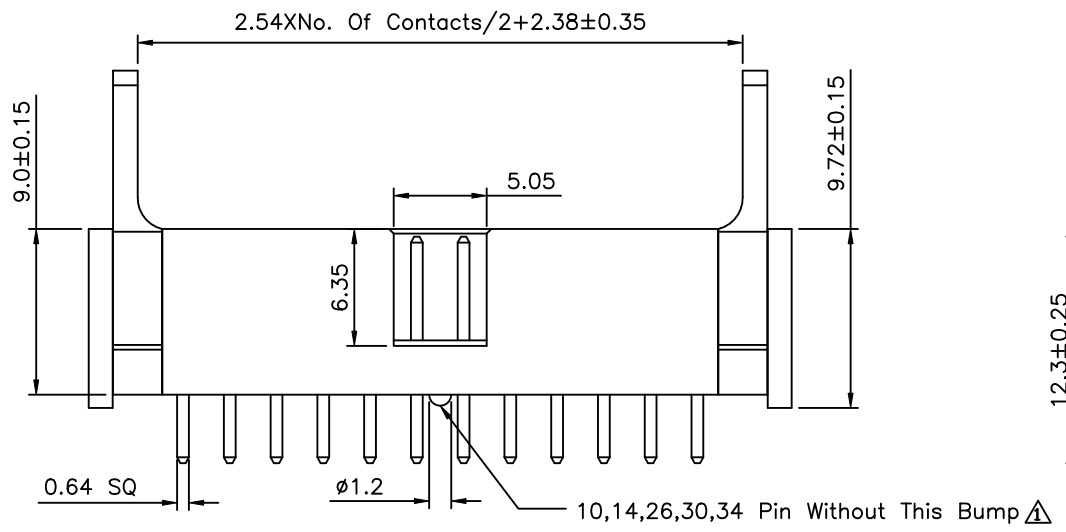
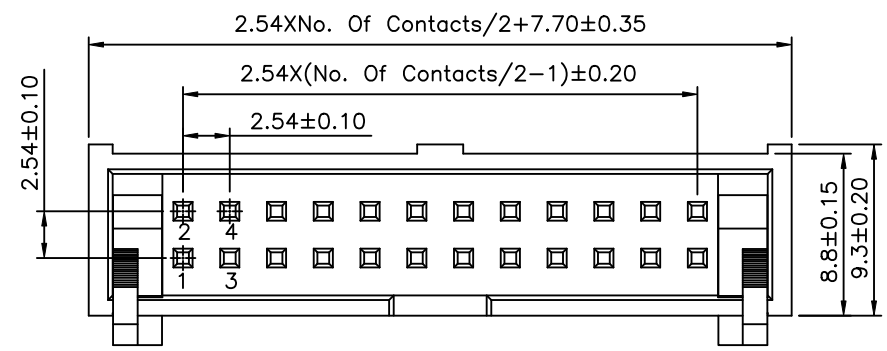


SPECIFICATION
 Current Rating: 3.0 Amp
 Withstand Voltage: 1000V AC/DC
 Contact Resistance: 20 Milliohms Max.
 Insulation Resistance: 1000 Megaohms Min.
 Operation Temperature: -40°C ~ +105°C
 Insulator: PBT(UL94V-0)
 Contact: Brass, Gold Flash Over Nickel
 Metal Latch: Zinc Alloy, Nickel Plated
 ⚠ No. Of Contact: 08, 10, 14, 16, 20, 26, 30, 34, 40 Contacts Are Tooled Already
 RoHS Compliant

LD XX S - ML - H
 (1) (2) (3) (4) (5)
 (1) LD: 2.54mm Latch Header DIP Straight
 (2) XX: No. Of Position
 (3) S: With Short Ejectors
 (4) ML: Metal Latch
 (5) H: RoHS Compliant



AUK A MEMBER OF AUK GROUP
太聯事業股份有限公司
AUK CONTRACTORS CO., LTD.

CATEGORY		APPROVED BY		UNLESS OTHERWISE SPECIFIED TOLERANCES ARE				
PART No. LDXXS-ML-H		MEI			X. ±0.25 X. ±2°			
DRAWING No. LDXXS-ML-H		CHECKED BY HZF		.X ±0.20 .X. ±1.5°				
SCALE NONE		DRAWING BY CYP		.XX ±0.15 .XX. ±1°	⚠ A1	Modify Data	HZF	10/11/2018
REV. A1		REV. A1		.XXX ±0.10 .XXX. ±0.5°	⚠ A0	NEW RELEASE	HZF	03/01/2016
UNIT mm		UNIT mm			NO. REV.	REVISIONS	CHK	DATE