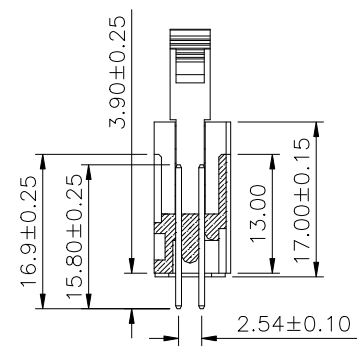
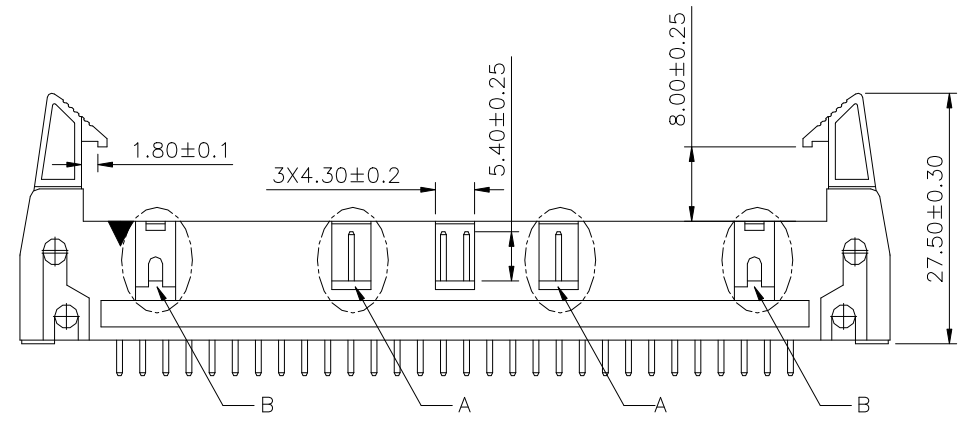
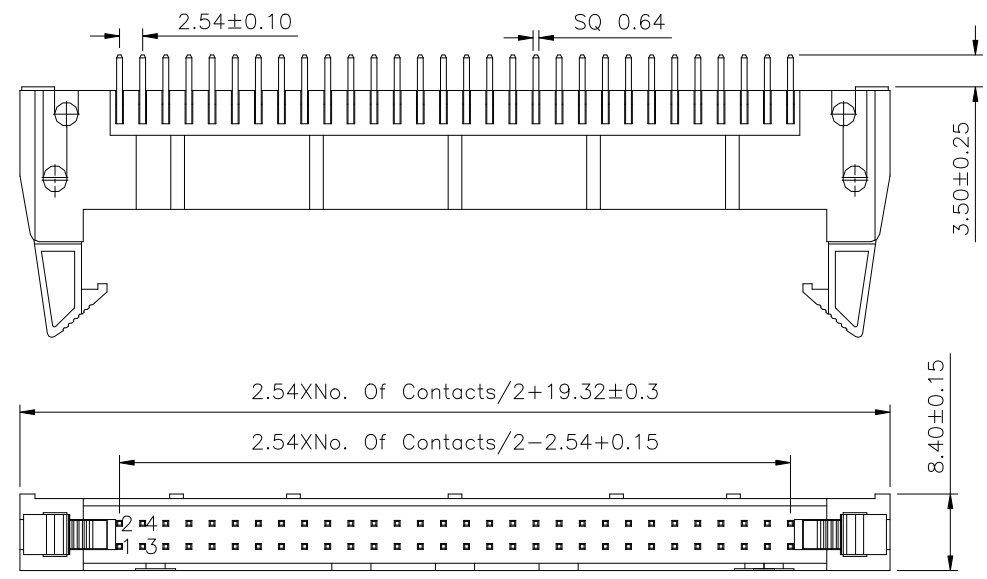


SPECIFICATION
 Current Rating: 3 Amps
 Withstand Voltage: 1000V AC
 Contact Resistance: 20 Milliohms Max.
 Insulation Resistance: 1000 Megaohms Min.
 Operation Temperature: -40°C ~ +105°C
 ⚠ Insulator: PBT (UL94V-0)
 Contact: Brass, Gold Flash Over Nickel
 Only 60P ~ 64P With Slot "A"
 Less Than 18 Pin Without Slot "B"
 RoHS Compliant

⚠ $\frac{L}{(1)} \frac{D}{(2)} \frac{XX}{(3)} - \frac{XX}{(4)} - \frac{H}{(5)}$

- (1) L: 2.54mm Latch Header
- (2) D: DIP Straight
- (3) XX: No. Of Position
- (4) XX: Insulator Color
Blank: Black
GE: Gray
- (5) H: RoHS Compliant



AUK A MEMBER OF AUK GROUP
太聯事業股份有限公司
AUK CONTRACTORS CO., LTD.

CATEGORY		APPROVED BY		UNLESS OTHERWISE SPECIFIED TOLERANCES ARE					
PART No. LDXX-XX-H		MEI		X. ±0.25 X.* ±2"					
DRAWING No. LDXX-XX-H		CHECKED BY HZF		.X ±0.20 .X.* ±1.5"					
SCALE NONE		DRAWING BY CYP		.XX ±0.15 .XX.* ±1"		⚠ B1	Modify P/N: LDXX-H --> LDXX-XX-H	HZF	03/21/2016
REV. B1		UNIT mm		.XXX ±0.10 .XXX.* ±0.5"		⚠ B0	NEW RELEASE	HZF	05/14/2015
		NO. REV.		REVISIONS		CHK		DATE	