

Model	Output Current	Input Current	Input Power	Output Power Range	PF	Efficiency	Output Voltage	No load Voltage
LC100W300-1050 DALI	300mA	0.33A	75.78W	16.20-72.00W	0.97	95.0%	54-240V	250V
	350mA	0.38A	88.42W	18.90-84.00W	0.98	95.0%	54-240V	250V
	400mA	0.43A	101.05W	21.60-96.00W	0.98	95.0%	54-240V	250V
	450mA	0.41A	94.73W	24.30-90.00W	0.98	95.0%	54-200V	250V
	500mA	0.46A	105.26W	27.00-100.00W	0.98	95.0%	54-200V	250V
	550mA	0.38A	86.84W	29.70-82.50W	0.98	95.0%	54-150V	250V
	600mA	0.42A	95.74W	32.40-90.00W	0.98	94.0%	54-150V	250V
	650mA	0.45A	103.72W	35.10-97.50W	0.98	94.0%	54-150V	250V
	700mA	0.32A	71.50W	37.80-66.50W	0.97	93.0%	54-95V	250V
	750mA	0.34A	76.61W	40.50-71.25W	0.97	93.0%	54-95V	250V
	800mA	0.36A	81.72W	43.20-76.00W	0.97	93.0%	54-95V	250V
	850mA	0.38A	86.82W	45.90-80.75W	0.98	93.0%	54-95V	250V
	900mA	0.41A	91.93W	48.60-85.50W	0.98	93.0%	54-95V	250V
	950mA	0.43A	97.04W	51.30-90.25W	0.98	93.0%	54-95V	250V
	1000mA	0.45A	102.15W	54.00-95.00W	0.98	93.0%	54-95V	250V
1050mA	0.48A	107.25W	56.70-99.75W	0.98	93.0%	54-95V	250V	

* Test result @230V, 50Hz, Full Load

1. Parameters

category	Item	Technical Norm
Features	Output Type	Constant Current
	Dimming Type	DALI-2 / Touch DIM
	Output Features	Non-Isolation
	IP Grade	IP20
	Insulation Class	Class I

Input	Rated Input Voltage	220-240VAC
	Range of Input Voltage	198-264VAC
	Range of DC Input Voltage	180-280VDC
	Frequency	0/50/60Hz, Range:0/47-63Hz
	Input Current	≤0.48A max
	Input Power	≤107.25 W max
	Power Factor	≥0.98 (230VAC, full load)
	THD	≤8.5% (230VAC, full load)
	Standby Power Consumption	≤0.45W @ 230VAC(DIM to off)
	Inrush Current	≤10A/50us (230VAC, full load)
	Connected quantity of 10A Breaker	19pcs/type A ;31pcs/type B ;50pcs/type C
Connected quantity of 16A Breaker	31pcs/type A ;50pcs/type B ;80pcs/type C	
Connected quantity of 20A Breaker	39pcs/type A ;62pcs/type B ;100pcs/type C	
Output	Output Voltage	54-240VDC
	No Load Voltage (Uout)	< 250VDC Max.
	Output Current	300-1050mA (Factory set current of 300mA)
	Max. Output Power	100W
	Efficiency	≥95% (230VAC, full load@max current)
	Output LF current ripple (< 100 Hz)	<1% (Imax-Imin) / (Imax+Imin)
	Current Accuracy	±5%
	Output PstLM (at full load)	≤1
	Output SVM (at full load)	≤0.4
	Starting Time (AC mode)	≤0.8S (230VAC, full load, by DALI system)
	Starting Time (DC mode)	≤0.4S
	Switching over time (AC/DC)	≤0.4S
Control Method	Secondary PUSH dimming	Secondary PUSH dimming (Max. lead wire length: 20m,same port of DALI)
	PUSH-button	Max parallel connections qty for Push-dim 15
	DALI function	DALI dimming (Max. lead wire length: 300m) logarithm or linear dimming curve selectable
	Dimming range	DALI dimming: 1%-100%
Protection	Short Circuit Protection	Auto Recovery
	Overload Protection	Auto Recovery (not be hot swap)
	No-load Protection	Auto Recovery
	Insulation voltage	1500V 5mA 60S between P-E
	Insulation resistance	>100M ohm @ 500VDC L/N to PE
	Leakage current	< 700μA, I/P to O/P or I/P to PE @230V input

Environment	Ta/Operation Temperature	-25....+50°C
	Ts/Storage Temperature	-25....+85°C
	Tc/Enclosure Temperature	85°C
	Humidity	10%....90%RH
	Atmosphere	86-108KPa
Construction	Connection Method	Push-in Terminal
	Installation	Build-in
	PRI Wire preparation	0.5-1.5 [□] / 8-9mm
	SEC Wire preparation	0.5-1.5 [□] / 8-9mm
	DALI Wire preparation	0.5-1.5 [□] / 8-9mm
	Dimension	280*29.4*21mm (L*W*H)
Standards	Certification	CE/ENEC/SAA/UKCA/CB
	Safety Standards	EN61347-1:2015/A1:2021; EN61347-2-13:2014/A1:2017; EN62384:2006/A1:2009; AS 61347.2.13:2018; AS/NZS61347.1:2016; BS EN61347-1:2015/A1:2021; BS EN61347-2-13:2014/A1:2017; IEC 61347-2-13:2014; IEC 61347-1:2015
	EMC Standards	AS/NZS CISPR 15:2011; AS CISPR 15:2017 ;
	Performance	EN 62384
	DALI performance	EN 62386-101 (DALI-2) EN 62386-102 (DALI-2) EN 62386-207 (DALI-2, including part 251, 252, 253)
	Surge	L-N/1KV (L/N)-PE/2KV
Others	RoHS	2011/65/EU
	Life Time	50000h Tc=85°C
		75000h Tc=80°C
		100000h Tc=75°C
Warranty	5years , F.R. < 10000ppm	

Remark: 1.All Parameters, if not specified, are measured at 230VAC/50Hz and 25°C ambient temperature.
 2.LED Driver is a component of the luminaires, Luminaires and wire layout will affect the EMC, please check the EMC with end products again.
 3.During the PUSH DIM test, the number of parallel connections must be less than 15PCS.

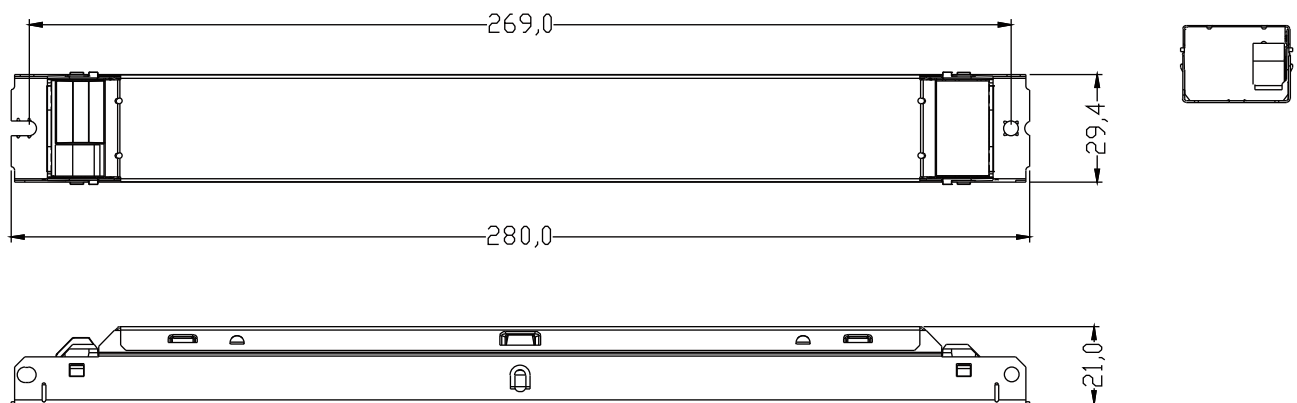
2. Label

<input type="checkbox"/> L <input type="checkbox"/> N KGP Electronics GmbH Hueckstraße 19 DE-58511 Lüdenscheid	LED Dimmable Driver LC100W300-1050 DALI Constant Current Type for operation with LED modules only Input Voltage:220-240VAC Input Frequency:0/50-60Hz Range of application DC 180-280V Output:300-1050mA 54-240VDC	lin: ≤0.48A Prange=16.2-100W Uout:250VDC Max.100W Tc:85 °C Ta:50 °C	Pout [W] Iout [mA] λ 1 2 3 4	Pout [W] Iout [mA] λ 1 2 3 4	wire preparation 8-9mm Input: 0.5-1.5 [□] DALI: 0.5-1.5 [□] Output: 0.5-1.5 [□] UK CA CB CE EL T10	Output + □ - □ 0 □ 1 □ 2 □ 3 □ 4 □
			72.0 300 0.97 - - - - 84.0 350 0.98 - - - ON 96.0 400 0.98 - - ON - 90.0 450 0.98 - - ON ON 100.0 500 0.98 - ON - - 82.5 550 0.98 - ON - ON 90.0 600 0.98 - ON ON - 97.5 650 0.98 - ON ON ON	66.5 700 0.97 ON - - - 71.2 750 0.97 ON - - ON 76.0 800 0.97 ON - ON - 80.7 850 0.98 ON - ON ON 85.5 900 0.98 ON ON - - 90.2 950 0.98 ON ON - ON 95.0 1000 0.98 ON ON ON - 99.7 1050 0.98 ON ON ON ON		

3. Output Current Setting

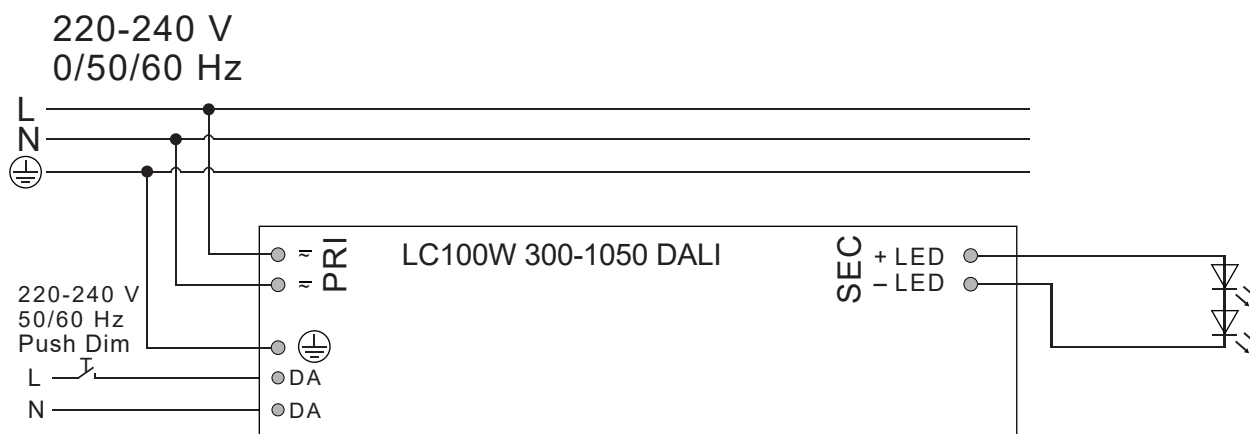
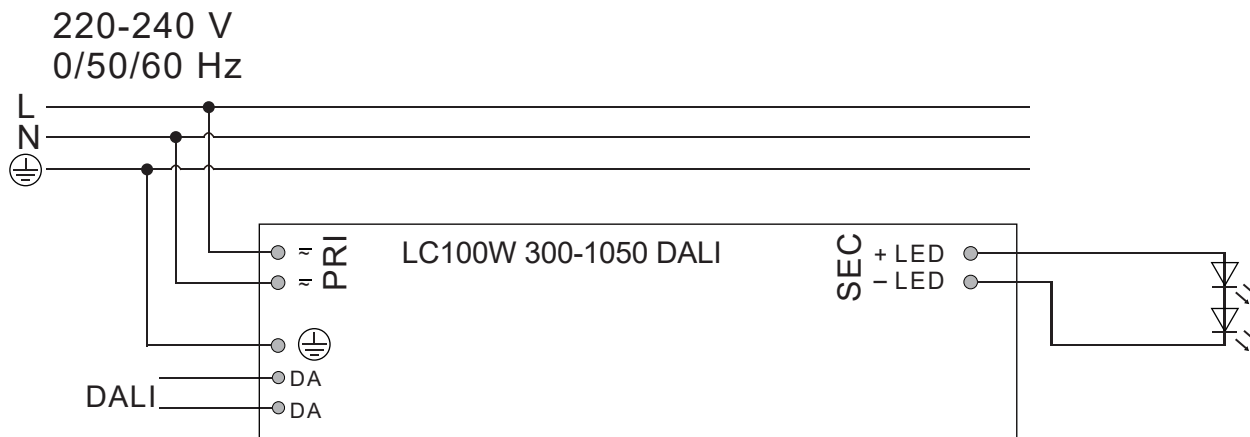
Output Current	1	2	3	4
300mA	-	-	-	-
350mA	-	-	-	ON
400mA	-	-	ON	-
450mA	-	-	ON	ON
500mA	-	ON	-	-
550mA	-	ON	-	ON
600mA	-	ON	ON	-
650mA	-	ON	ON	ON
700mA	ON	-	-	-
750mA	ON	-	-	ON
800mA	ON	-	ON	-
850mA	ON	-	ON	ON
900mA	ON	ON	-	-
950mA	ON	ON	-	ON
1000mA	ON	ON	ON	-
1050mA	ON	ON	ON	ON

4. Dimension (Unit: mm)

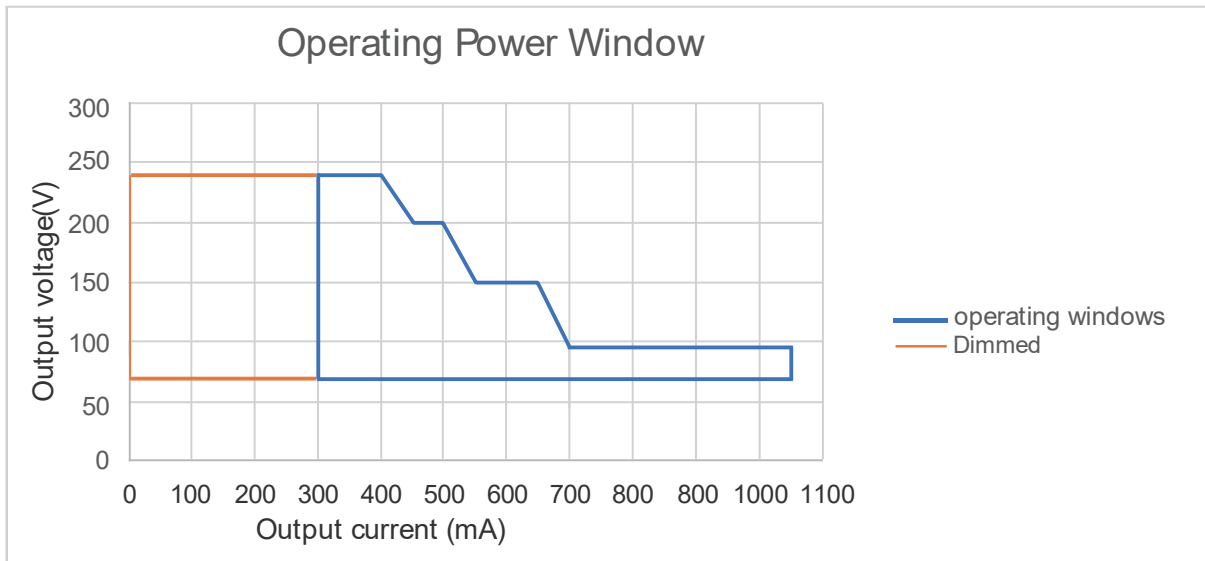


5. Installation / wiring

Circuit diagram



6. Output Power Window



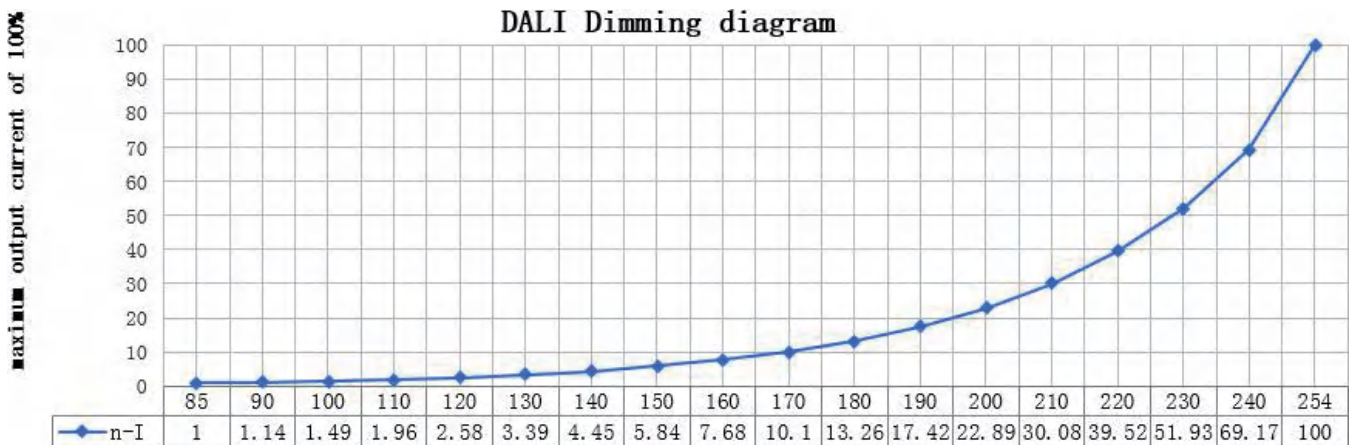
7. DALI dimming curve

formula for DALI dimming.

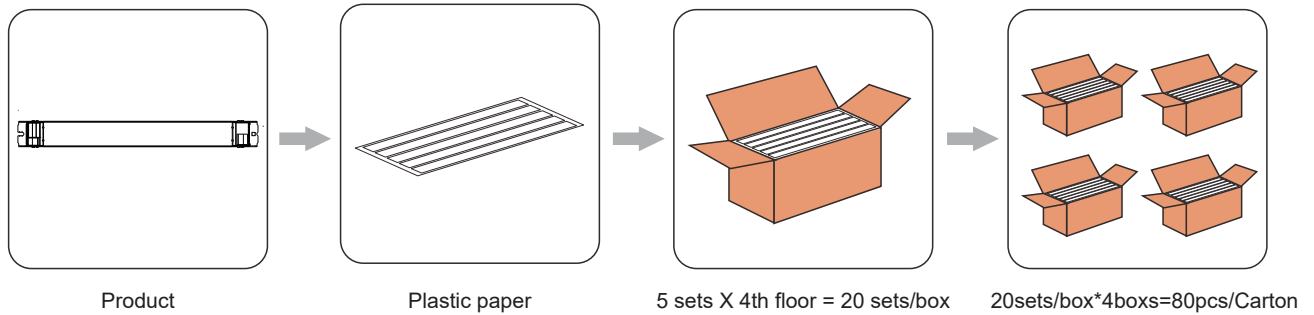
$$X(n) = 10^{\left\{ \frac{(n-1)}{(253/3)} - 1 \right\}}$$

Here, n means the target dimming stage of the total 254 stages.

X(n) means the percent of the maximum output current



8. Packing information



Carton L*W*H(mm)	Pcs/Carton	Net weight/ Pcs(kg)	Net weight/ Carton(kg)	Gross weight / Carton(kg)
325*303*213	80	0.193	15.44	16.76

9. Push Dim :

9.1 On / off:

Short push (120ms-600ms) on the switch

Stepless dimming: long push (> 0.6sec) on the switch

9.2 Power-on memory function

When the LED driver is powered on, it will restore the memory before the LED driver is powered off. (brightness remembers the brightness after the last dimming is stable, and the brightness during dimming is not memorized)

9.3 Light on/off

If the light is on, the light will be off after a short press. If the light is off, the light will be on after a short press. The time range of short press is 120-600mS.

9.4 PUSH Dimming

Press and hold the push switch for a long time, the light will enter the dimming state, if the previous time is dimming, it will automatically turn to dimming the next time. After releasing the reset button, the dimming stops and the current illuminance is maintained. The dimming range is 1%-100%. The default is to dim when the power is first long-press. If the brightness of the power-on is the maximum brightness, the first long-press is to dim. (Long press 0.6-3S to start dimming.)

9.5 Forced synchronization

Long press for 10 seconds to turn on all the lights and turn on the same brightness (50%), and continue to quickly short press will not change. After a short period of time without short press operation, the module exits the synchronization mode, and the short press restores the switch function.

9.6 PUSH Dimming rate

Long press the push switch 10S to switch the dimming rate to 3S, Long press the push switch 20S to switch the dimming rate to 6S, and it can also be changed by MAGIC or production software.

10. REVISION HISTORY

Date	Revision	Remark
2023.11.02	V0.01	update images