

注：

1.KMRC-XXXX

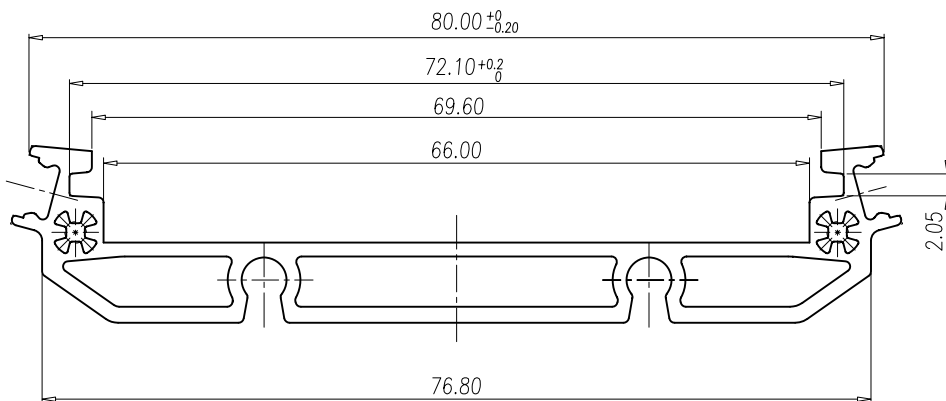
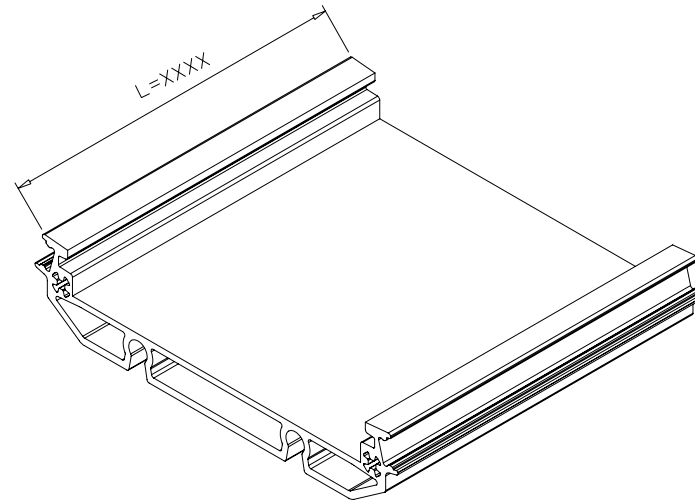
"XXXX"代表長度(單位:mm)

如:260mm長,則品名為:KMRC-0260

当后缀长度有小数时,分以下几种情况:

- 1.当小数值<0.25,后缀小数舍去 如: 260.24mm长, 则品名为: KMRC-0260
- 2.当0.25≤小数值<0.75,后缀小数为0.5 如: 260.26mm长, 则品名为: KMRC-0260.5
- 3.当小数值≥0.75,后缀小数舍去,整数进1 如: 260.75mm长, 则品名为: KMRC-0261

2.RoHS Compliance.



Normal Geometric Tolerancing			
—	//	\equiv	\perp
0 to 100	0.2	0 to 10	0.2
over 100 to 150	0.3	over 10	0.3
over 150	0.5		
Total Pitch Tolerances		Normal dimension Tolerances	
0<U≤30	±0.20	0~30	±0.25
30<U≤53	±0.25	over 30~53	±0.30
53<U≤70	±0.30	over 53~70	±0.35
70<U≤90	±0.35	over 70~90	±0.44
90<U≤115	±0.44	over 90~115	±0.55
115<U≤150	±0.55	over 115~150	±0.70

1	KMRC-XXXX	PVC	
ITEM	NAME OF PART	MATERIAL	NOTES

DWG.	X.SN	DATE	13.05.20	UNITS	MM	SHEET/OF	1 / 1
CHK.		DATE		SCALE	2:1 (:)		
APP.		DATE		NAME	KMRC-XXXX		
DINKLE DINKLE ENTERPRISE CO.,LTD				DWG NO.	SP-03-KMRC0000		

REV.	CONTENT	CHK.	DATE