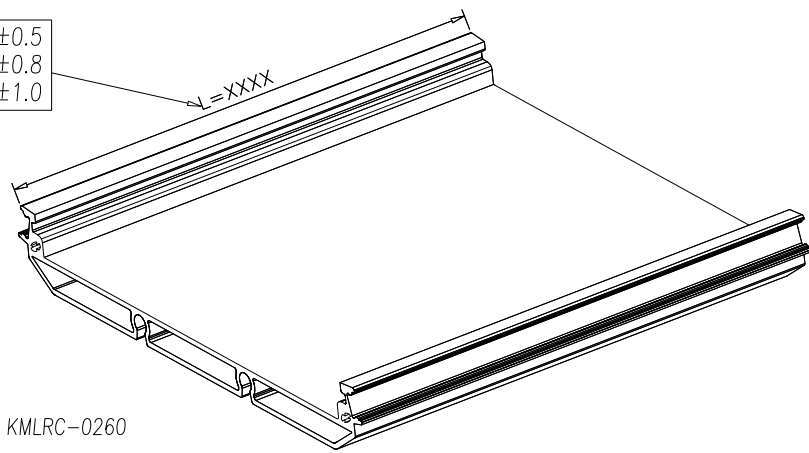


0<L<120	L±0.5
120<L<200	L±0.8
L>200	L±1.0



NOTES:

1.KMLRC-XXXX

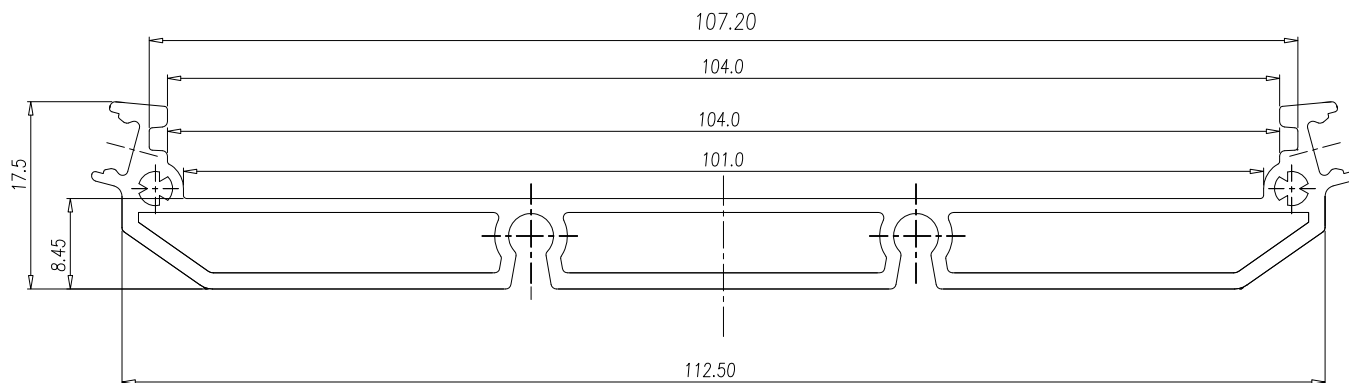
"XXXX"for length (unit:mm)

eg:If the length is 260mm,the name is KMLRC-0260

When there are decimals at the suffix, it comes to different conditions:

1. When decimal value is < 0.25, round down the suffix. Ex: Length is 260.24 mm, the part number is KMLRC-0260
2. When decimal value is in between $0.25 \leq X < 0.75$, take 0.5. Ex: Length is 260.26mm, the part number is KMLRC-0260.5
3. When decimal value is ≥ 0.75 , round up to 1. Ex: Length is 260.75 mm, the part number is KMLRC-0261

2.RoHS compliance



Total Pitch Tolerances		Normal Dimension Tolerances	
0~30	±0.20	0~30	±0.25
over 30~53	±0.25	over 30~53	±0.30
over 53~70	±0.30	over 53~70	±0.35
over 70~90	±0.35	over 70~90	±0.44
over 90~115	±0.44	over 90~115	±0.55
over 115~150	±0.55	over 115~150	±0.70
over 150~200	±0.70	over 150~200	±0.85
over 200~250	±0.85	over 200~250	±1.00
over 250~320	±1.00	over 250~320	±1.20

1	KMLRC-XXXX	PVC	GREEN
ITEM	NAME OF PART	MATERIAL	NOTES

DWG.	CXF	DATE	18.09.06	UNITS	MM	SHEET/OF	1 / 1
CHK.	Hang.Han	DATE	18.09.06	SCALE	2:1 (:)		
APP.	Clark.Deng	DATE	18.09.06	NAME	KMLRC-XXXX		
REV.	CONTENT	NAME	DATE	DINKLE ENTERPRISE CO.,LTD		DWG NO.	SP-03-KMLRC000

△			
REV.	CONTENT	NAME	DATE