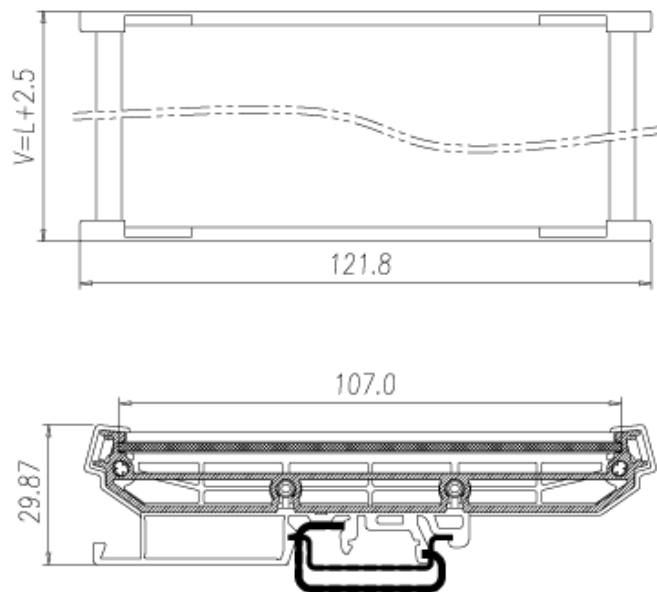


# KMLR-XXXX

PCB Carrier



## Specification

PCB width	107mm
Panel mounting base – 1000mm	KMLRC-1000
Panel mounting base – 2000mm	KMLRC-2000
Right end cover	KMLRMR
Left end cover	KMLRML
Mounting foot	KML-PP
Length(mm)	
60	KMLR-0060
:	:
:	:
2000	KMLR-2000