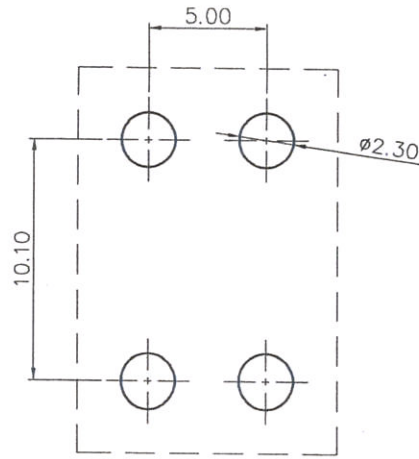
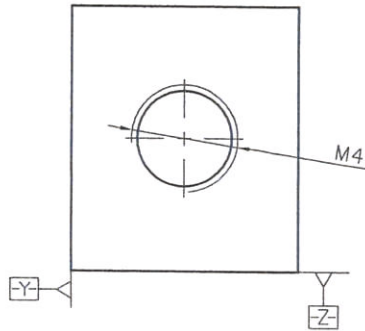


REVISION RECORD

REV	ECN	DESCRIPTION	DRFT	DATE
-----	-----	-------------	------	------



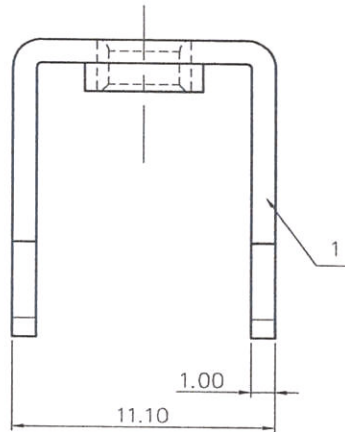
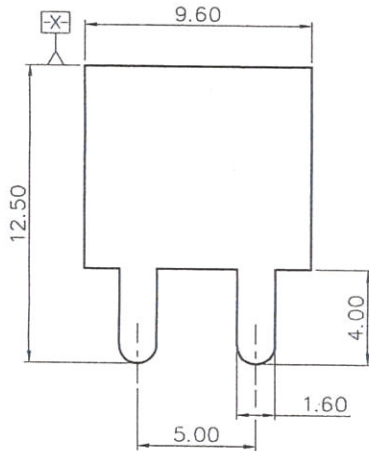
PCB LAYOUT

NOTES:

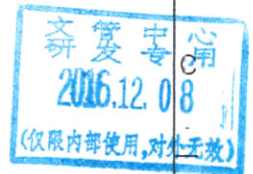
- Rated current : 40A
- Torque value : M4, 10.53Lb.in
- Dimension shall be interpreted per ASME Y14.5-2009
- Undimensioned tolerances:

Pitch range in mm		Nominal dimension range in mm				Tolerances		
TO	Over	TO	Over	TO	Over	Form	Position	
6	10	10	30	30	60	100	150	
±0.15	±0.20	±0.30	±0.30	±0.50	±0.70	±1.00	±1.30	
							0.1/10	±2'

5.RoHS Compliance



K31 - 00A (H)
 (Series No.) (RoHS) 00A-(Standard)



ITEM	NAME OF PART	MATERIAL	NOTES
1	Pin header	Copper alloy	Sn Plated

DETACHED LISTS	PART NO.:	/		
	APPD:	Aoxon 12/5-16		
	CHKD:	XXY 12/05/16		
	DRFT:	XXY 08/25/16		
DRAWING NO.:		K31-C01	REV	TO
THIRD ANGLE PROJECTION		MM (INCH)	SHEET	1/1
		DO NOT SCALE DRAWING	SCALE	1:1

宁波高松电子有限公司
 NINGBO DEGSON ELECTRICAL CO., LTD

NAME: K31-00A(H)

TITLE: CUSTOMER DRAWING

DRAWING NO.:

SCALE 1:1