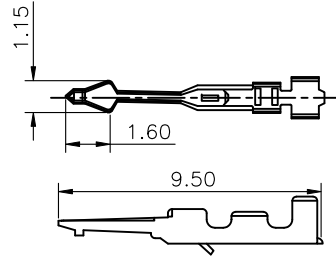


Female Terminal

Wire Range		O.D of Wire
Section Area (mm <sup>2</sup> )	AWG#	mm
0.08~0.33	28~22	0.9~1.7

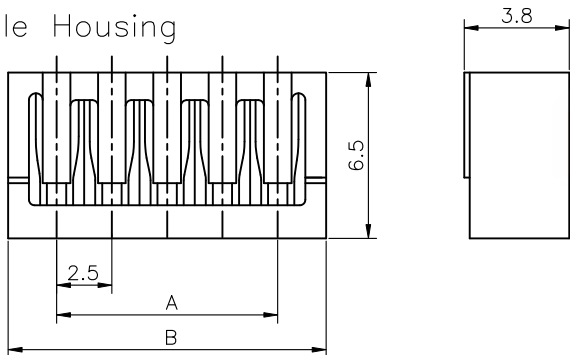
Female Terminal B TYPE



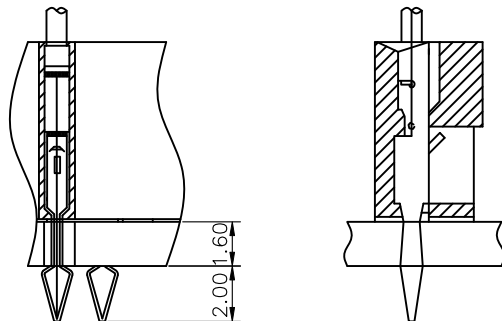
Female HOUSING

Position	DIMENSION	
	A	B
2	2.5	6.3
3	5.0	8.8
4	7.5	11.3
5	10.0	13.8
6	12.5	16.3
7	15.0	18.8
8	17.5	21.3
9	20.0	23.8
10	22.5	26.3
11	25.0	28.8
12	27.5	31.3
13	30.0	33.8
14	32.5	36.3
15	35.0	38.8
16	37.5	41.3

Female Housing



Mounting measurement



REV.	DESCRIPTION	DRAWN	CHECKED	APPROVED
A	NEW RELEASE	LJH 06/28/05'		LJC 06/28/05'
B	DRAWING UPDATE	JLZ 06/06/17'		

NOTES:

1. MAIN SPECIFICATIONS

- . Housing material: NYLON 66
- . Wire range: AWG#28~#22
- . Rated voltage: 250V
- . Rated current: 1A
- . Contact resistance: ≤ 30mΩ
- . Insulation resistance: ≥ 1000MΩ
- . Withstanding voltage: 500V,AC 1 minute
- . Temperature range: -25 ~ +85°C
- . Recommend PC board thickness:1.6mm

2. PRODUCT NUMBER CODE:

Terminal:

T-DS1068 - S C X 0 0 - X

Contact Type  
2: B Type  
Contact Plating  
6: Tin

Housing:

I-DS1068 - S C X 0 X

Poles  
02~16  
Housing Color  
W: White

GENERAL TOLERANCE		ANGLE TOLERANCE		PROJECTION		TITLE	P.C.B CONNECTOR 2.5mm SCN TYPE	
X.	±0.60	X.	±5°	UNITS	mm			
.X	±0.38	.X	±3°	SHEET SIZE	A4	SERIES	DS1068 SERIES	
.XX	±0.25	.XX	±2°					
DRAWING TYPE		CUSTOMER			晨翔电子有限公司 <b>CONNFLY CONNFLY ELECTRONIC CO. LTD</b>			
SCALE		1:1	SHEET 1 OF 1					
DRAWING NO.		C-DS1068-XXXXXX-B						