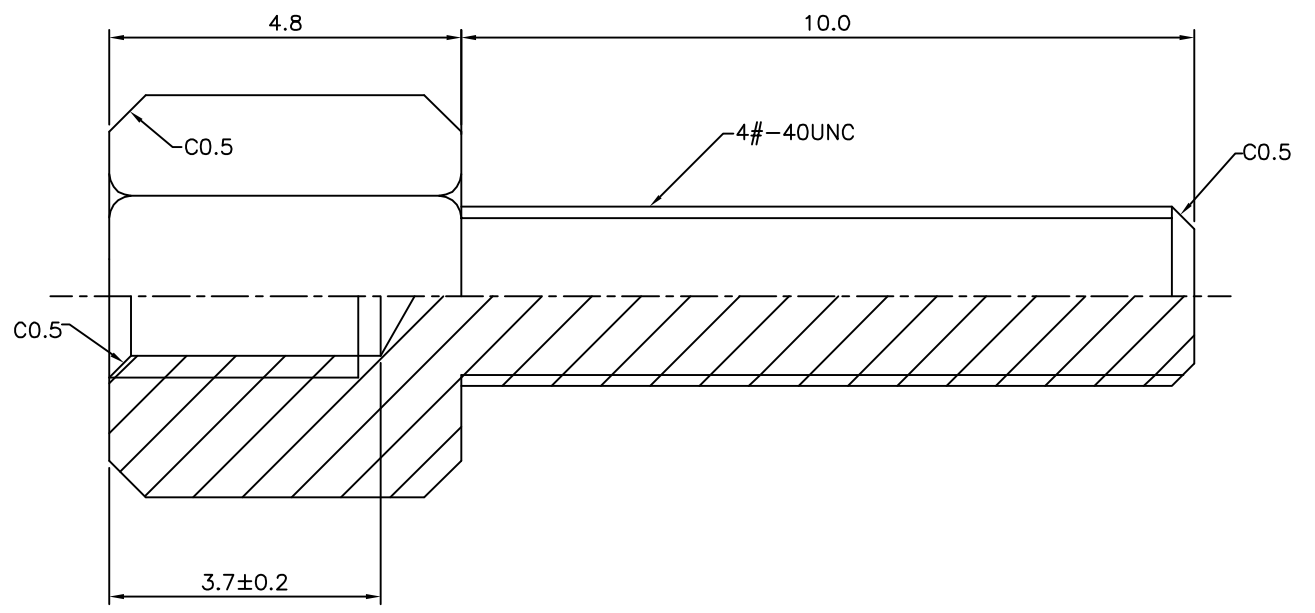
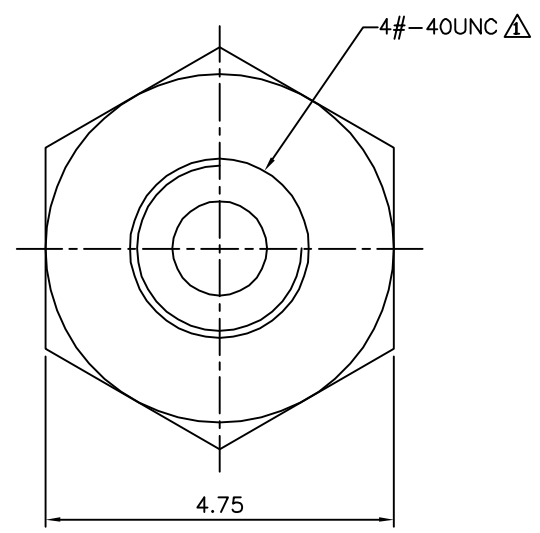


SPECIFICATION  
 Material: Brass, Nickel Plated  
 RoHS Compliant



**AUK** A MEMBER OF AUK GROUP  
**太聯事業股份有限公司**  
**AUK CONTRACTORS CO., LTD.**

CATEGORY		APPROVED BY EMILY		UNLESS OTHERWISE SPECIFIED TOLERANCES ARE .X ±0.30 .XX ±0.30
PART No. $\triangle$ HS148-100-440-H		CHECKED BY HZF		
DRAWING No. $\triangle$ HS148-100-440-H		DRAWING BY SAN		
SCALE	NONE	REV.	A1	
UNIT mm				

NO.	REV.	REVISIONS	CHK	DATE
$\triangle$ A1		Modify P/N: HS14-90-440 --> HS148-100-440-H	HZF	03/25/2014
$\triangle$ A0		NEW RELEASE	HZF	06/20/2006