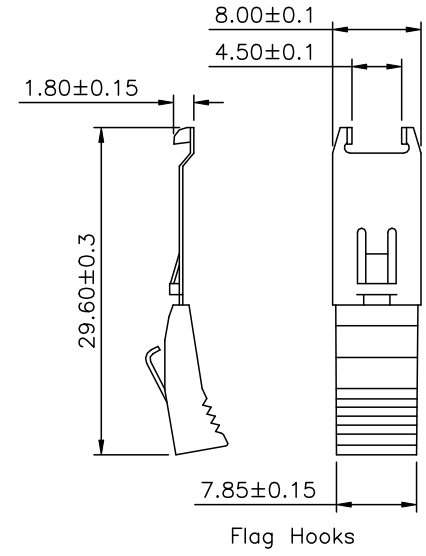
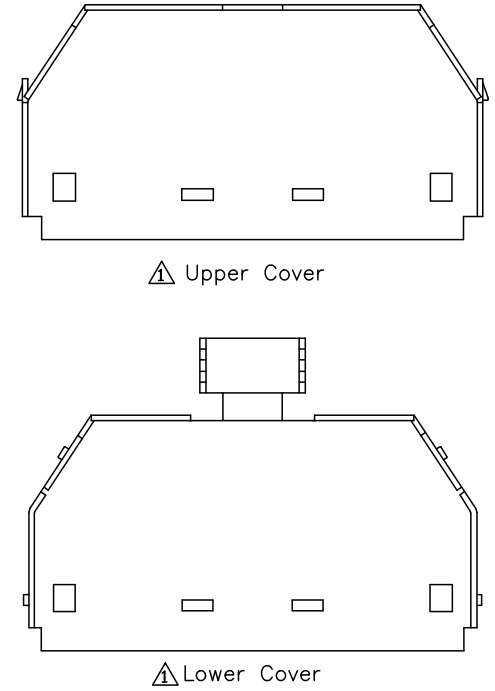
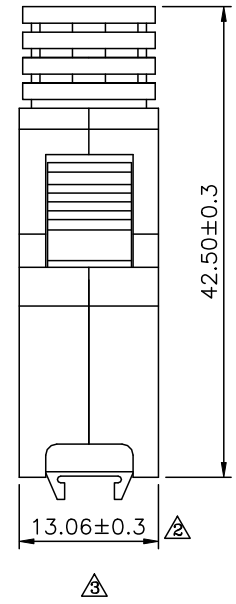
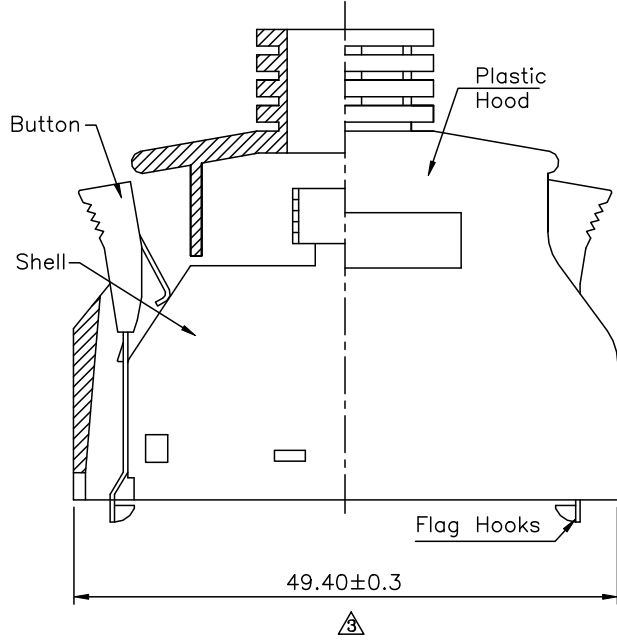
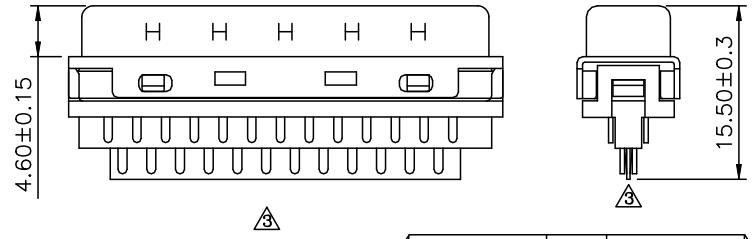
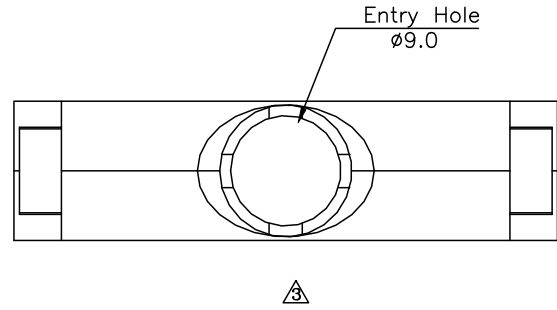
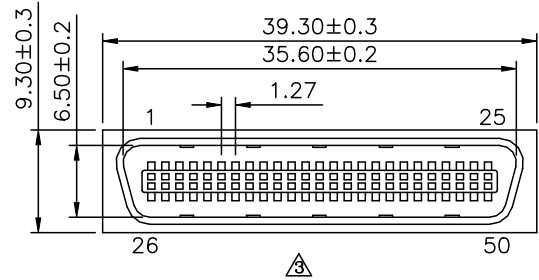


SPECIFICATION

Contacts Current Rating:0.5 Amp
 Dielectric Withstanding Voltage:500V AC
 Contact Resistance:35 Milliohms Max.
 Insulation Resistance:>500 Megaohms Min.
 Operation Temperature:-55°C~+85°C
 Housing:PBT(UL94V-0),Black
 Contact:Phosphor Bronze
 Selective Gold Plated 5u" Over Nickel
 Front Shell:Steel,Nickel Plated Over Copper
 Hood:ABS(UL94V-0)
 Latch Cover:ABS(UL94V-0)
 Latch:Stainless Steel
 Inner Shell:Steel,Nickel Plated Over Copper
 RoHS Compliant

- HPD XXX P S Q X - H
 (1) (2) (3) (4) (5) (6) (7)
 (1) HPD:1.27mm SCSI Pin Type
 (2) XXX:No. Of Position
 (3) P:Male
 (4) S:Solder Wire Type
 (5) Q:Plastic Hood
 (6) X:Hood & Latch Cover Color
 Blank:Beige Color
 K:Black Color
 (7) H:RoHS Compliant



AUK A MEMBER OF AUK GROUP
太聯事業股份有限公司
AUK CONTRACTORS CO., LTD.

SERIES		APPROVED BY		UNLESS OTHERWISE SPECIFIED TOLERANCES ARE .X ±0.38 .XX ±0.25 ANG.				
HPDXXXPXQ		MEI			△ A3	Modify Data	HZF	06/13/2019
PART No. △ HPD050PSQX-H		CHECKED BY HZF			△ A2	Modify P/N:HPD050PS0-H --> HPD050PSQX-H	HZF	06/06/2017
DRAWING No. HPD050PSQX-H		DRAWING BY CYP			△ A1	Modify Data	HZF	11/04/2014
SCALE		REV.	A3	UNIT	NO.REV.	REVISIONS	CHK	DATE
NONE				mm				