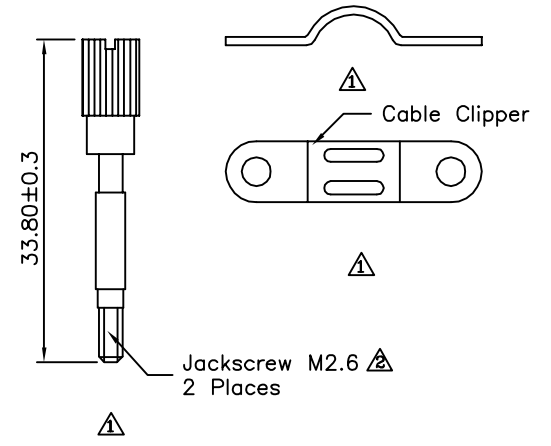
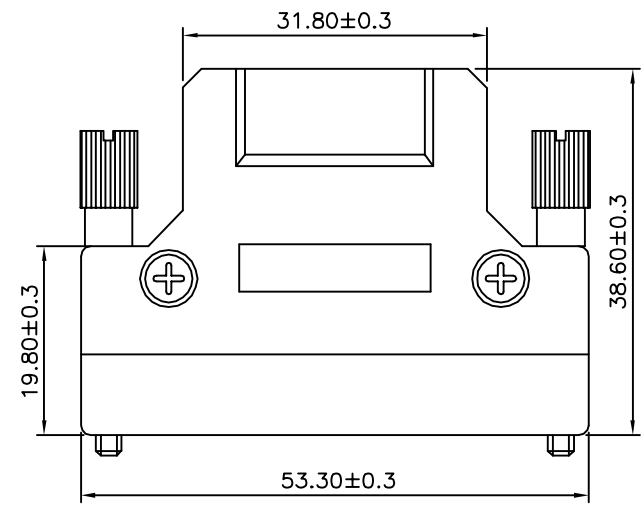
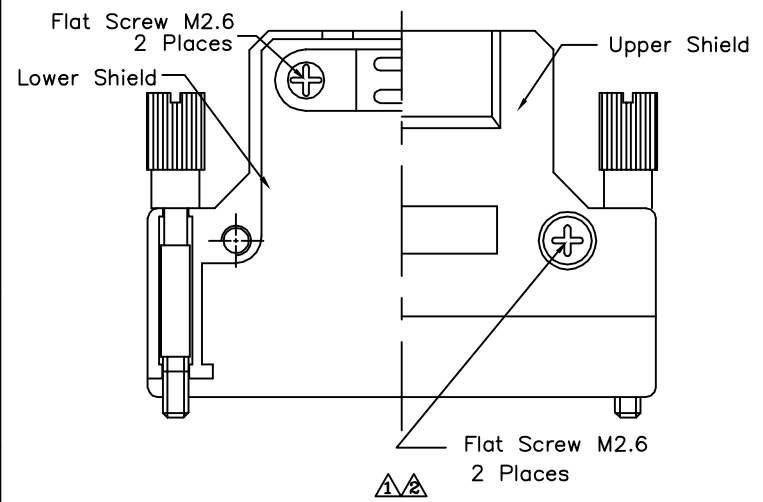
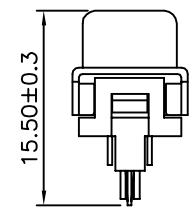
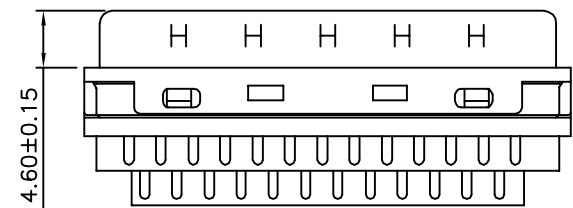
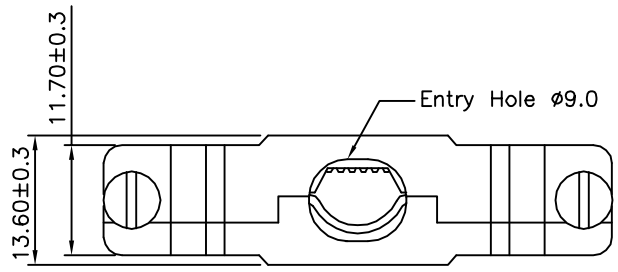
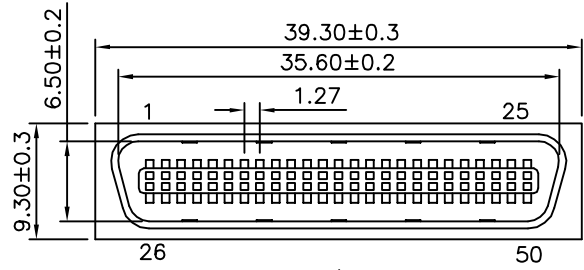


△△ SPECIFICATION

Contact Current Rating:0.5 Amp
 Withstand Voltage:500V AC
 Contact Resistance:35 Milliohms Max.
 Insulation Resistance:>500 Megaohms Min.
 Operation Temperature:-55°C~+85°C
 Insulator:PBT(UL94V-0),Black
 Contact:Phosphor Bronze,
 Selective Gold Plated 5u" Over Nickel
 Front Shell:Steel,Nickel Plated Over Copper
 Back Shell:Zinc Alloy,Nickel Plated Over Copper
 Flat Screws:Steel,Nickel Plated Over Copper
 Cable Clipper:Steel,Nickel Plated Over Copper
 Jackscrews:Steel,Nickel Plated Over Copper
 RoHS Compliant



AUK A MEMBER OF AUK GROUP
太聯事業股份有限公司
AUK CONTRACTORS CO., LTD.

CATEGORY		APPROVED BY		UNLESS OTHERWISE SPECIFIED TOLERANCES ARE .X ±0.38 .XX ±0.25 ANG.
PART No. HPC050PSM-H		EMILY		
DRAWING No. HPC050PSM-H		CHECKED BY HZF		
SCALE NONE		DRAWING BY GAO		
REV.	A2	UNIT mm		

NO.	REV.	REVISIONS	CHK	DATE
△A2		Modify Data	HZF	05/06/2013
△A1		Modify Data	HZF	01/11/2010
△A0		NEW RELEASE		