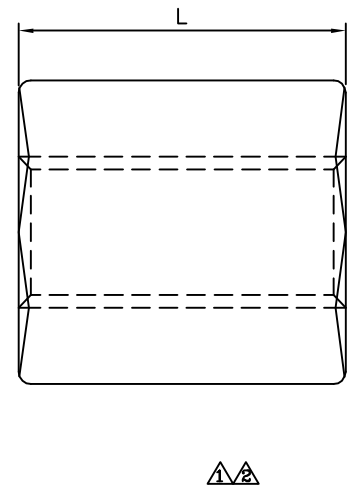
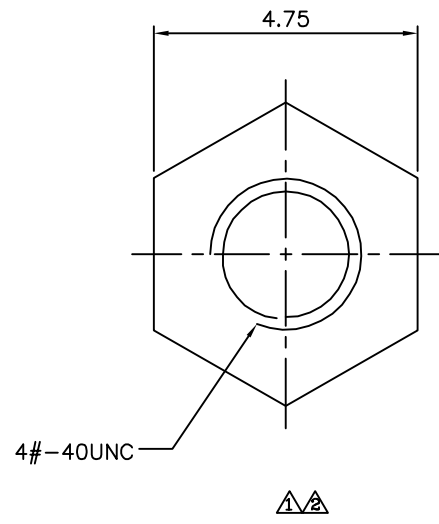


△ SPECIFICATION
 △ Material: Copper, Nickel Plated
 RoHS Compliant

△ HN46 - XX - 440 - H
 (1) (2) (3) (4)
 (1) HN46: Hexagon Screw Nut 4.75mm X 5.0mm
 (2) XX: Thickness Position (DIM. L)
 Blank: 1.9mm
 50: 5.0mm
 60: 6.0mm
 (3) 440: 4#40
 (4) H: RoHS Compliant



CATEGORY		APPROVED BY EMILY		UNLESS OTHERWISE SPECIFIED TOLERANCES ARE △ .X ±0.38 △ .XX ±0.25 △ ANG.
PART No. HN46-XX-440-H		CHECKED BY HZF		
DRAWING No. HN46-XX-440-H		DRAWING BY YBL		UNIT mm
SCALE	NONE	REV.	A2	

NO.	REV.	REVISIONS	CHK	DATE
△ A2		Modify P/N: HN46-H -> HN46-XX-440-H	HZF	10/31/2013
△ A1		Modify Data	HZF	04/18/2011
△ A0		NEW RELEASE		