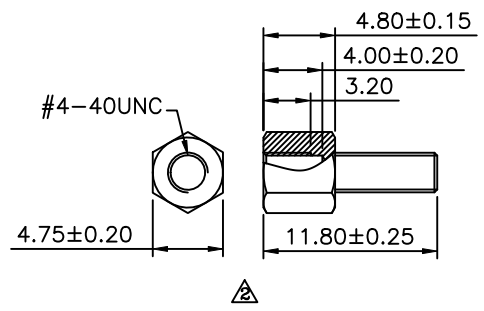
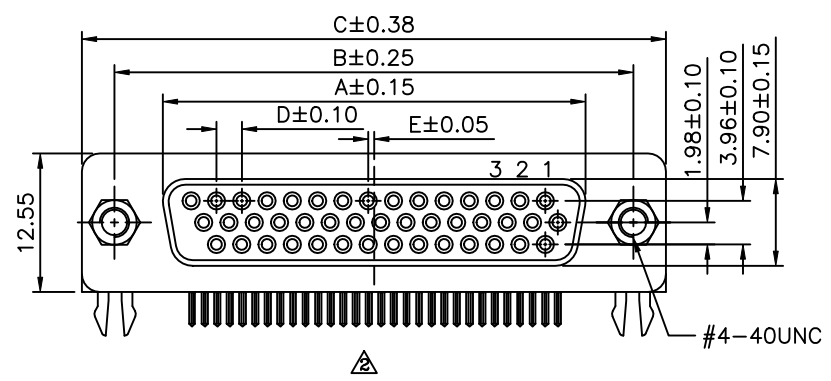
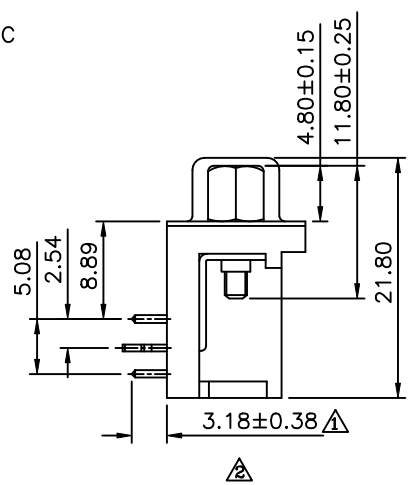
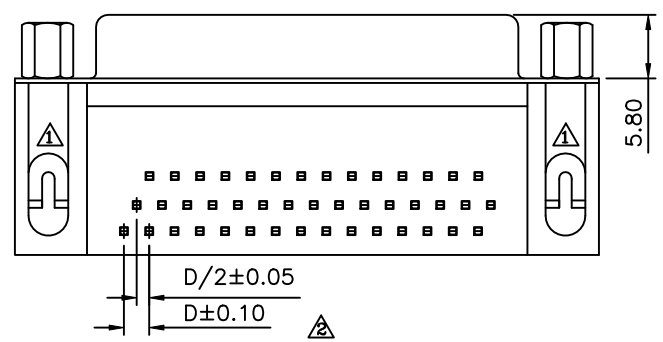


**△ SPECIFICATION**  
 △ Current Rating: 1 Amps  
 Withstanding Voltage: 500V For 1 Minute  
 Contact Resistance: 30 Milliohms Max.  
 Insulation Resistance: 1000 Megaohms Min.  
 At 500V DC  
 Operating Temperature: -40°C ~ +85°C  
 △ Insulator: PBT+30%G.F.(UL94V-0), Black  
 Contact: Brass, Gold Flash On Contact Area,  
 Tin Plated On Solder Tails, Over Nickel  
 Shell: SPCC, Nickel Plated  
 Boardlock: SPCC, Tin Plated  
 Screw: 12L14, Nickel Plated  
 RoHS Compliant



△ HD R XX S - H  
 (1) (2) (3) (4) (5)  
 (1) HD: 2.29mm High Density D-SUB  
 (2) R: DIP Right Angle  
 (3) XX: No. Of Position  
 (4) S: Female  
 (5) H: RoHS Compliant



Pin	A	B	C	D	E
15	16.33	24.99	30.81	2.29	0.25
26	24.80	33.32	39.20	2.29	0.50
44	38.38	47.04	53.04	2.29	0.50
62	54.84	63.50	69.40	2.41	0.60

**AUK** A MEMBER OF AUK GROUP  
**太聯事業股份有限公司**  
**AUK CONTRACTORS CO., LTD.**

CATEGORY		APPROVED BY		UNLESS OTHERWISE SPECIFIED TOLERANCES ARE	NO.	REV.	CHK	DATE
PART No.	HDRXXS-H	MEI	HZF					
DRAWING No.	HDRXXS-H	CYP			B2	Modify Data	HZF	12/24/2015
SCALE	NONE	REV.	B3		B1	Modify Data	HZF	09/19/2014
					B0	NEW RELEASE	HZF	04/10/2013
					REVISIONS			