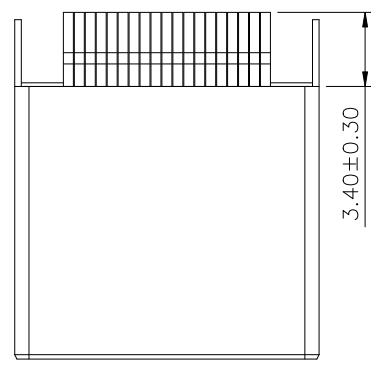
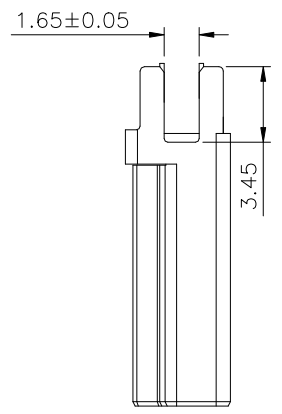
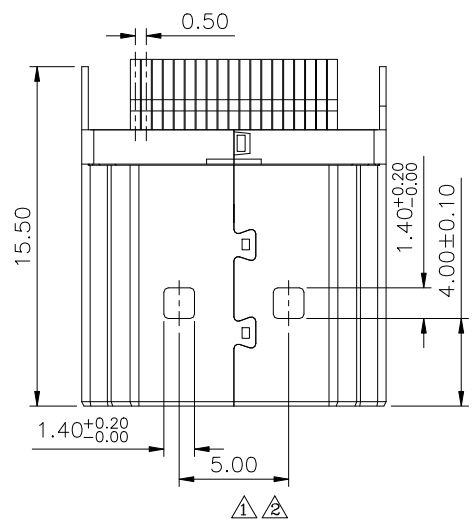


Section K-K

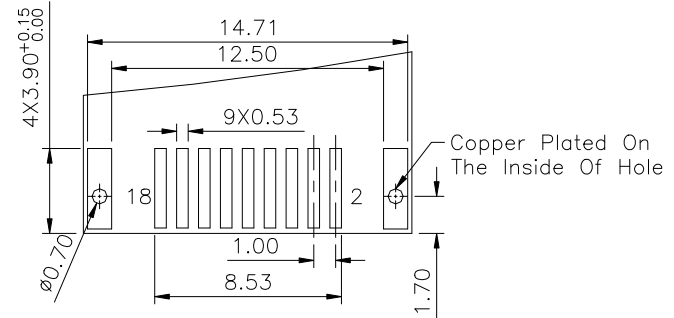
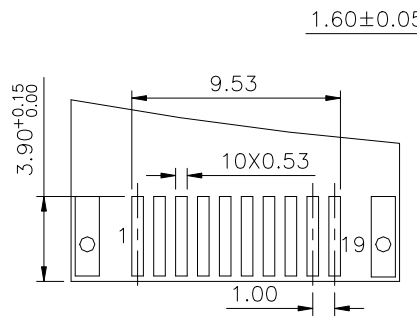
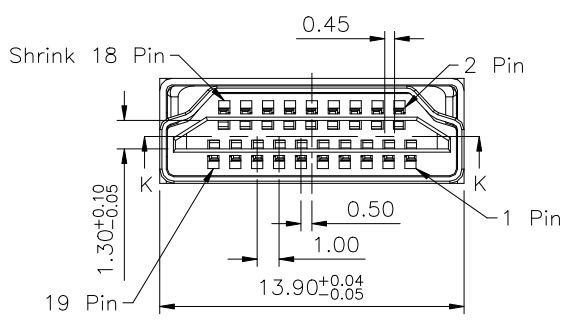
△ SPECIFICATION

Current Rating:0.5 Amp
 Withstand Voltage:300V AC RMS
 Contact Resistance:20 Milliohms Max.
 Insulation Resistance:100 Megaohms Min.
 Operation Temperature Range:-55°C~+85°C
 Insertion Force:4.50 Kgf Max.
 Separation Force:0.70 Kgf Min.
 Insulator:LCP+30%G.F.(UL94V-0),Black
 Contact:Phosphor Bronze,Gold Flash On Contact Area,
 Matte Tin Plated On Solder Tails,Over Nickel
 Shield:SPCC,Nickel Plated
 RoHS Compliant



△△ HDM 19 P E - S - X - H
 (1) (2) (3) (4) (5) (6) (7)

- (1) HDM:HDMI Connector
- (2) 19:No. Of Position
- (3) P:Male
- (4) E:Straddle Type
- (5) S:SPCC,Nickel Plated
- (6) X:Contact Finish
 1:Gold Flash On Contact Area
 Matte Tin Plated On Solder Tails,Over Nickel
- (7) H:RoHS Compliant



△ Recommended P.C.B. Layout

AUK A MEMBER OF AUK GROUP
太聯事業股份有限公司
AUK CONTRACTORS CO., LTD.

CATEGORY		APPROVED BY		UNLESS OTHERWISE SPECIFIED TOLERANCES ARE					
PART No. △△ HDM19PE-S-X-H		MEI		X. ±0.50		△ A3	Modify P/N:HDM19PE-S-X-HH --> HDM19PE-S-X-H	HZF	04/29/2016
DRAWING No. HDM19PE-S-X-H		CHECKED BY HZF		△ .X ±0.38		△ A2	Add PCB Layout	HZF	03/14/2013
SCALE NONE		DRAWING BY CYP		.XX ±0.20		△ A1	Modify P/N:HDM19PE-H --> HDM19PE-S-X-HH	HZF	05/12/2011
REV. A3		REV. A3		.XXX ±0.10		△ A0	NEW RELEASE	HZF	08/21/2008
				UNIT mm		NO.REV.	REVISIONS	CHK	DATE