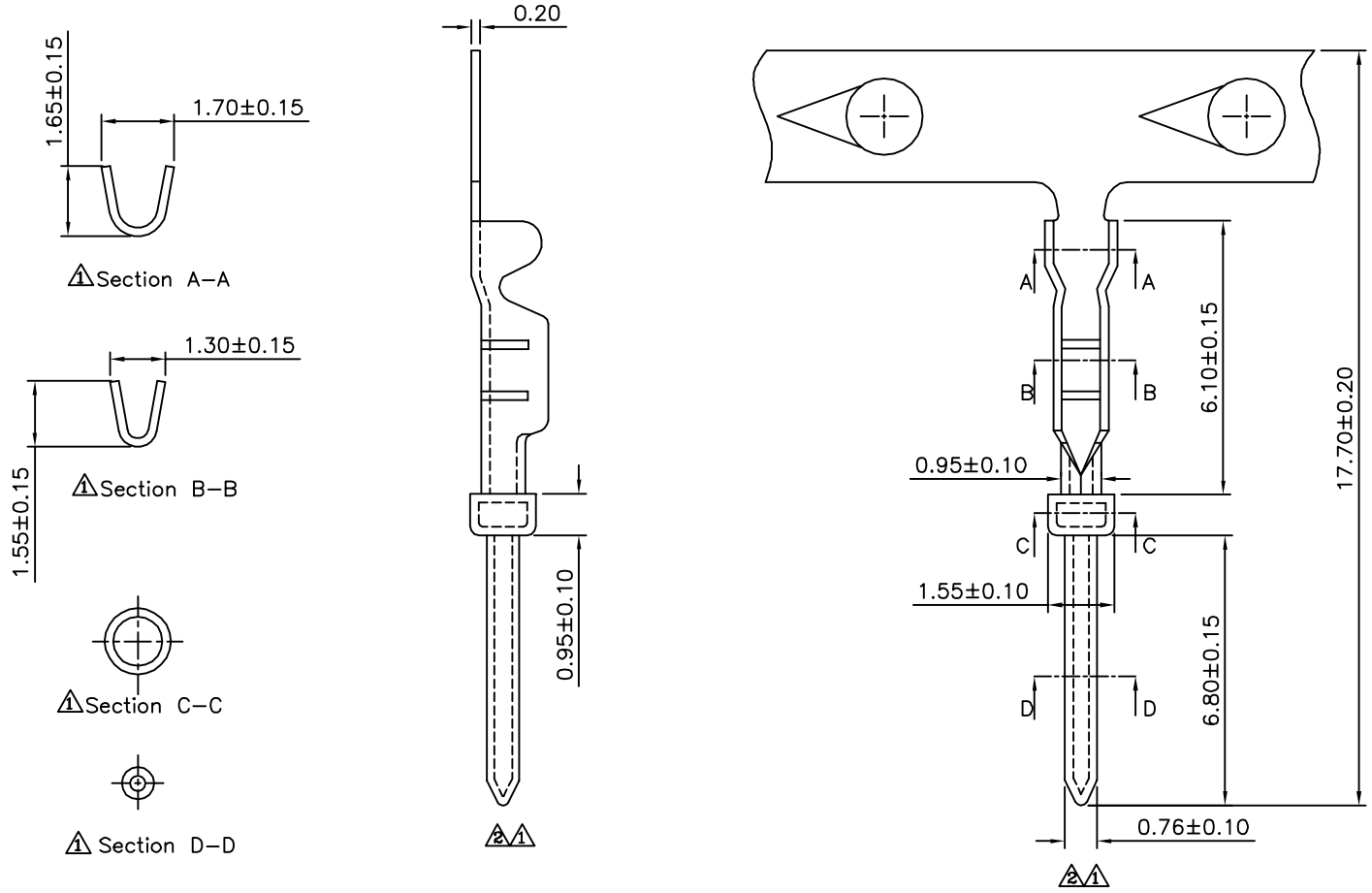


**△△ SPECIFICATION**  
 Material: Bronze  
 Selective Gold Flash Over Nickel  
 Wire Range: AWG #28~#30  
 Q'ty: 10000 PCS/Reel  
 RoHS Compliant



**AUK** A MEMBER OF AUK GROUP  
**太聯事業股份有限公司**  
**AUK CONTRACTORS CO., LTD.**

CATEGORY		APPROVED BY EMILY		UNLESS OTHERWISE SPECIFIED TOLERANCES ARE .X ±0.2 .XX ±0.10 .XXX ±0.05 ANG. ±1°
PART No. HDCMS-R10K-H		CHECKED BY HZF		
DRAWING No. HDCMS-R10K-H		DRAWING BY CYP		
SCALE	NONE	REV.	A2	
UNIT mm				

NO.	REV.	REVISIONS	CHK	DATE
△A2		Modify P/N:HDCM-H --> HDCMS-R10K-H	HZF	07/13/2015
△A1		Modify Data	HZF	06/15/2010
△A0		NEW RELEASE		