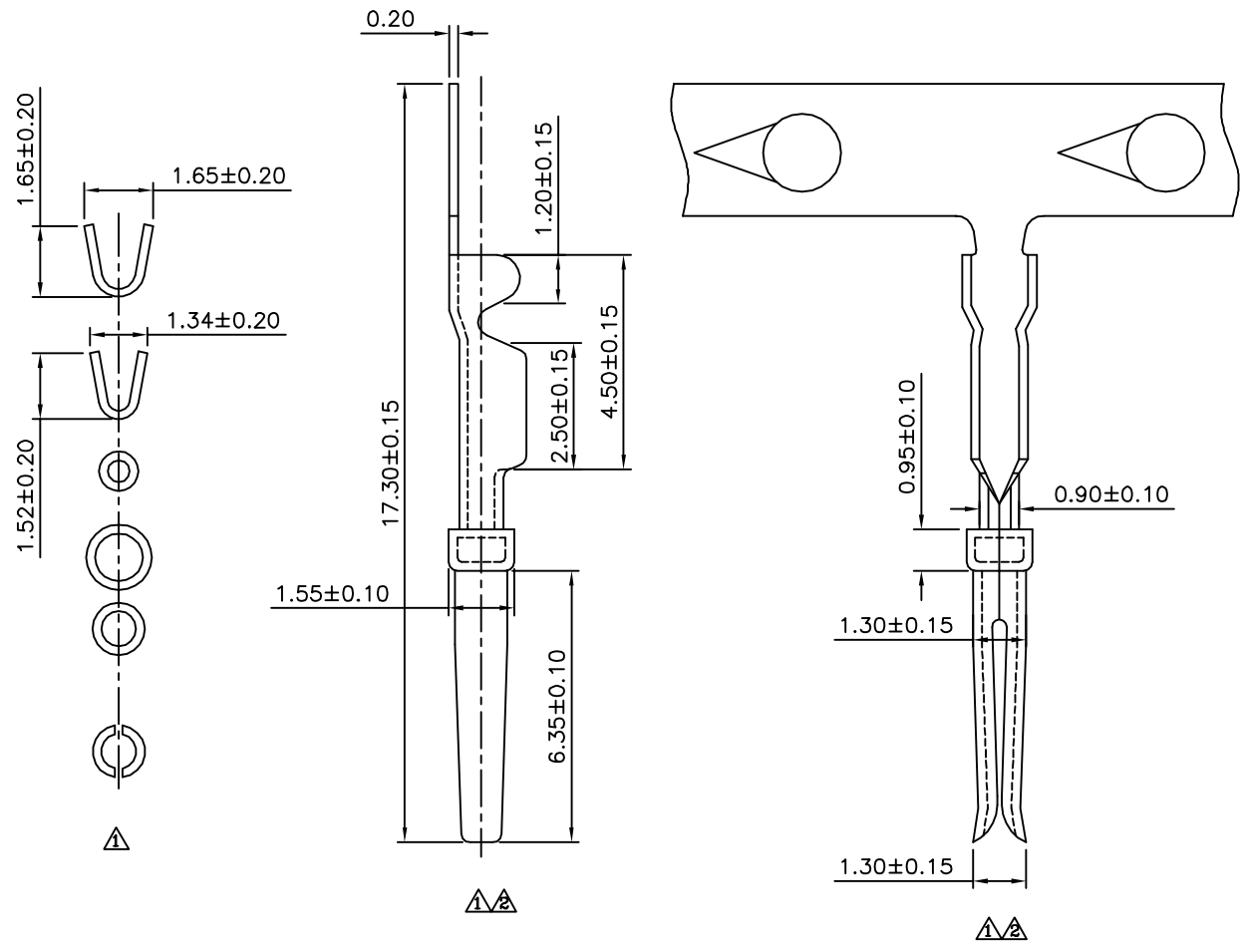


△ SPECIFICATION
 Material: Bronze, Selective Gold Plated Over Nickel
 Applicable Wire: AWG28~30
 △ Q'ty: 10000 PCS/Reel
 RoHS Compliant



AUK A MEMBER OF AUK GROUP
太聯事業股份有限公司
AUK CONTRACTORS CO., LTD.

CATEGORY		APPROVED BY		UNLESS OTHERWISE SPECIFIED TOLERANCES ARE △ .X ±0.2 △ .XX ±0.10 △ .XXX ±0.05 ANG. ±1°
PART No. △△ HDCFS-R10K-H		EMILY		
DRAWING No. HDCFS-R10K-H		CHECKED BY HZF		
SCALE		DRAWING BY HAO		
SCALE	NONE	REV.	A2	UNIT mm

NO.	REV.	REVISIONS	CHK	DATE
△A2		Modify P/N:HDCFS-H --> HDCFS-R10K-H	HZF	07/13/2015
△A1		Modify P/N:HDCF --> HDCFS-H	HZF	05/11/2012
△A0		NEW RELEASE		