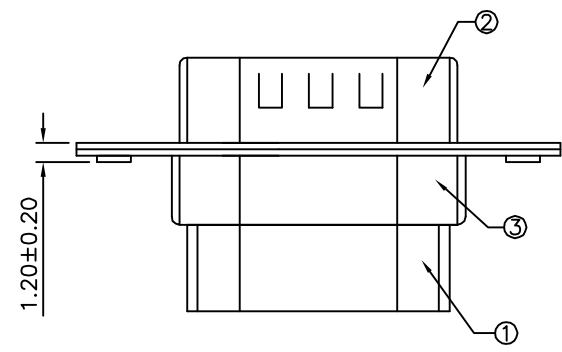
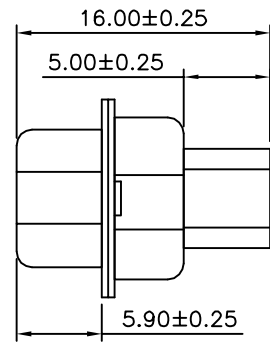
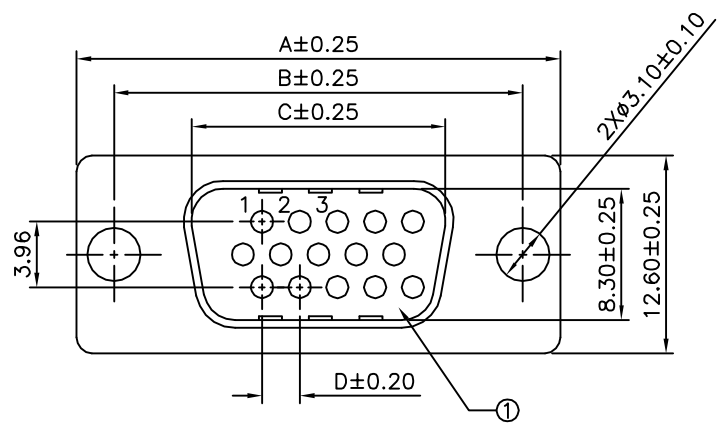


**SPECIFICATION**

Current Rating:1A Max.  
 Dielectric Withstanding Voltage:500V AC For 1 Minute  
 Contact Resistance:30 Milliohms Max.  
 Insulation Resistance:1000 Megaohms Min. At 500V DC  
 Temperature Range:-55°C~+105°C  
 RoHS Compliant



- △ HDC XX PT - H  
 (1) (2) (3) (4)
- (1) HDC:2.29mm High Density  
 D-SUB Crimp Type  
 (2) XX:No. Of Position  
 (3) PT:Male Tray Packing  
 (4) H:RoHS Compliant

Pin	A	B	C	D
15	30.80	25.00	16.92	2.29
26	39.20	33.32	25.25	2.29
44	53.05	47.04	38.96	2.29
62	69.40	63.50	55.42	2.41

No.	Part Name	Q'ty	Material	Remark
①	Housing	2	PBT,UL94V-0	Black
②	Front-Shell	1	Cold Rolled Steel	Nickel Plated Over Copper
③	Back-Shell	1	Cold Rolled Steel	Tin Plated Over Copper

**AUK** A MEMBER OF AUK GROUP  
**太聯事業股份有限公司**  
**AUK CONTRACTORS CO., LTD.**

CATEGORY		APPROVED BY		UNLESS OTHERWISE SPECIFIED TOLERANCES ARE .X ±0.3 .XX ±0.20 .XXX ±0.100 ANG. ±1°				
PART No. HDCXXPT-H		CHECKED BY HZF						
DRAWING No. HDCXXPT-H		DRAWING BY SONG			△ B1	Modify Data	HZF	08/08/2013
SCALE	NONE	REV.	B1		△ B0	NEW RELEASE	HZF	11/15/2008
				UNIT mm	NO. REV.		REVISIONS	CHK DATE