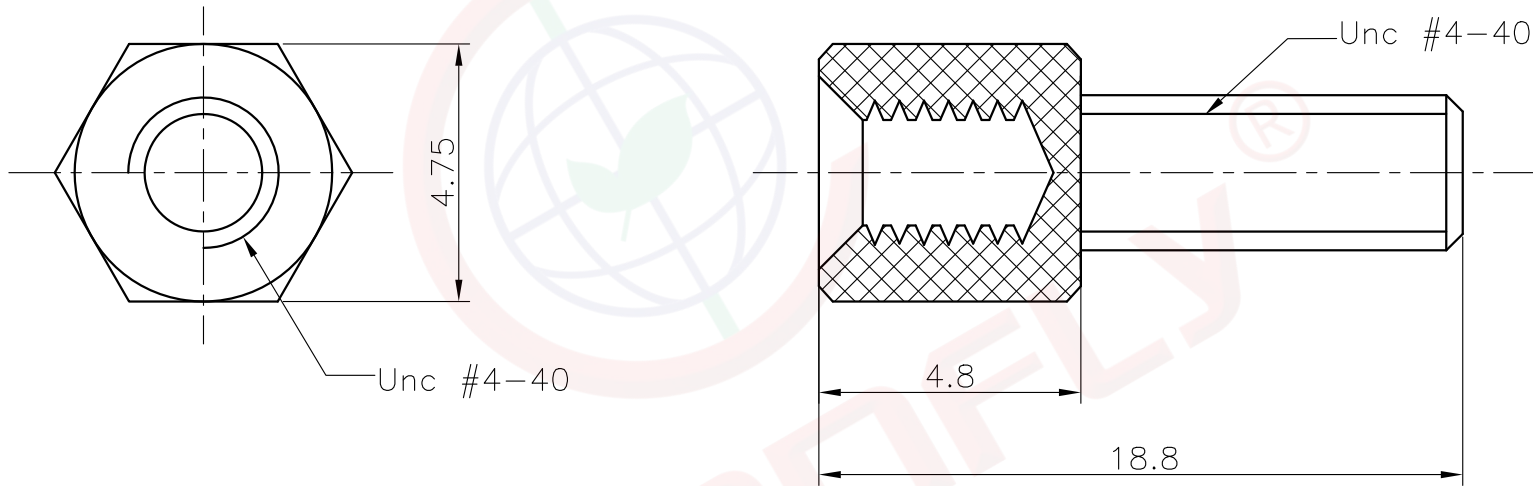


REV.	DESCRIPTION	DRAWN	CHECKED	APPROVED
A	NEW RELEASE	JLZ 09/16/22'	~	



Notes:

1. Material: Copper Alloy
2. Plating: Nickel
3. Product number code:
H-L0480-1880-1-04

GENERAL TOLERANCE		ANGLE TOLERANCE		PROJECTION		TITLE	
X.	±0.60	X.	±5°	UNITS	mm	Bolt	
.X	±0.38	.X	±3°	SHEET SIZE	A4	SERIES	Bolt SERIES
.XX	±0.25	.XX	±2°	晨翔电子有限公司 CONNFLY CONNFLY ELECTRONIC CO. LTD			
DRAWING TYPE		CUSTOMER					
SCALE	1:1	SHEET	1 OF 1				
DRAWING NO.		H-L0480-1880-1-04-A					