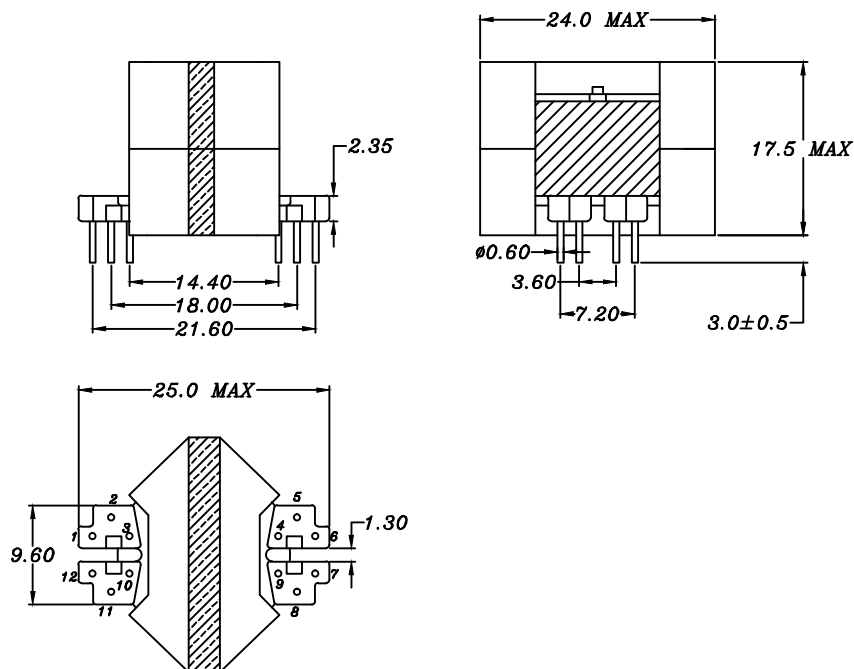


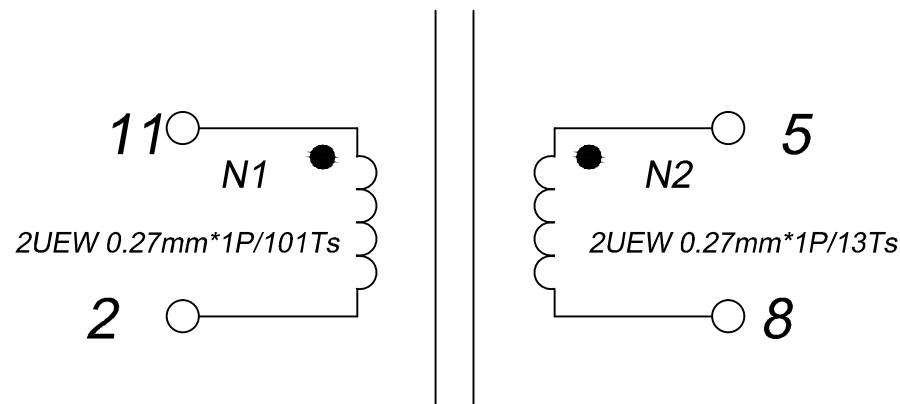
|                   |      |                 |
|-------------------|------|-----------------|
| CUSTOMER TERMINAL | ROHS | Lead (Pb) -free |
|                   | YES  | YES             |



### 1. Mechanical Dimensions



### 2. Schematic Diagram



### 3. Material List

Core:FW44-RM8  
 Bobbin:FWB0804  
 Wire:2UEW-0.27mm 155°C  
 Operating Temperature: -30 to 115°C

### 4. Electrical Specification

Inductance:  $L (11-2) = 900\mu H \pm 20\% 1.0\text{KHZ } 1.0\text{V}$   
 HI-POT: P-S AC 1500V 3mA 3seconds  
 COIL-CORE AC 500V 3mA 3seconds

|             |                 |                          |      |               |                    |                            |
|-------------|-----------------|--------------------------|------|---------------|--------------------|----------------------------|
| REV.        | DATE            | <br>Convention Placement | DRW. |               | Drawing Title:     | Part No:                   |
| 0           | 00/00           |                          | CHK. |               | <b>TRANSFORMER</b> | FWPTRM8V-901M              |
| <b>RoHS</b> | www.ferriwo.com | APP.                     |      | Customer P/N: | RM8                | Specification Sheet 1 of 1 |