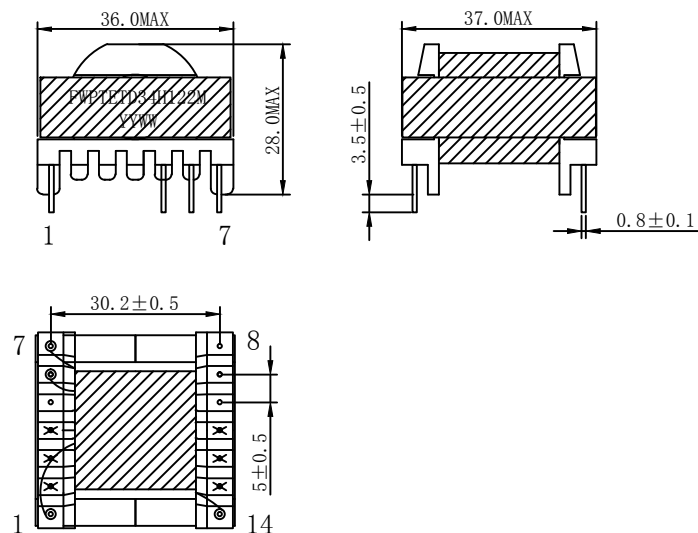


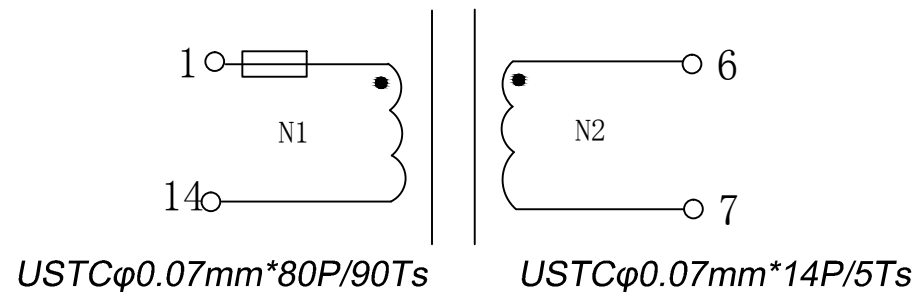
CUSTOMER TERMINAL	ROHS	Lead (Pb) -free
	YES	YES



1. Mechanical Dimensions



2. Schematic Diagram



3. Material List

Core:FW40-ETD34
 Bobbin:ETD3402 (7+7PIN)
 Wire:USTCφ0.07mm*80P/φ0.07mm*14P 130°C
 Operating Temperature: -30 to 115°C

4. Electrical Specification

Inductance: L (1-14) = 1.2mH±20% 1.0KHZ 1.0V

REV.	DATE	 Convention Placement	DRW.		Drawing Title:	Part No:
0	00/00		CHK.		TRANSFORMER	FWPTETD34H122M
RoHS		www.ferriwo.com	APP.		Customer P/N: ETD34	Specification Sheet 1 of 1