



**SPECIFICATION FOR APPROVAL**

DESCRIPTION : Transformer  
 SPECIFICATION : EFD25-140-350  
 PART NO. : FWPTEFD25H441J-1  
 ISSUE DATE : June 2, 2023

MANUFACTURER APPROVAL		
PREPARED	CHECKED	APPROVED

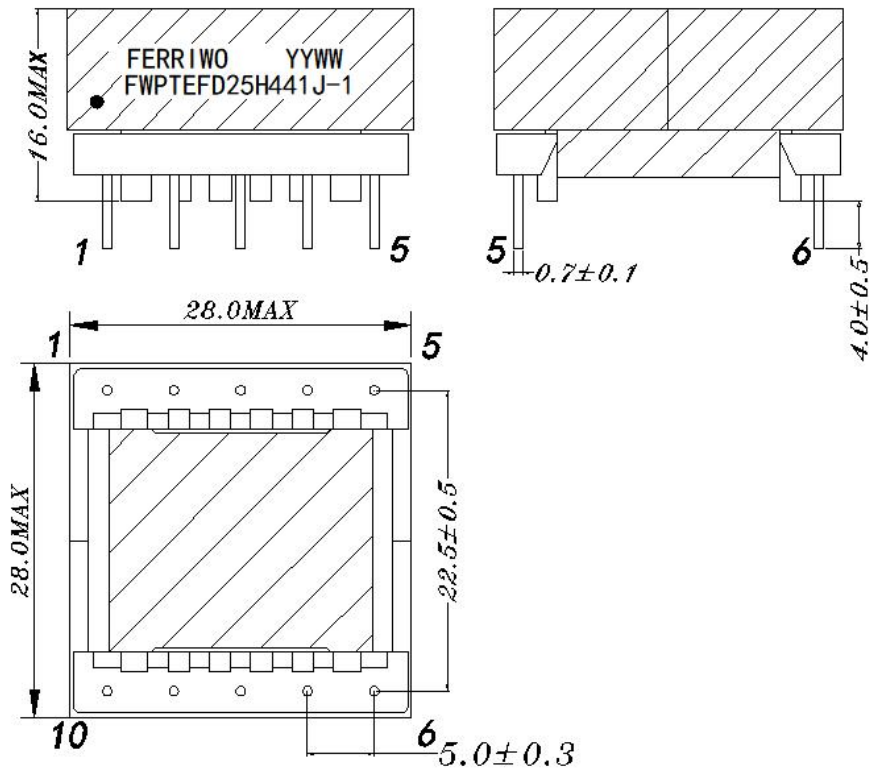
CUSTOMER APPROVAL		
RECEIPT	CHECKED	APPROVED

Haining Ferriwo Electronics Co., Ltd.	
Address: Block 13, Caohejing Technology Park, No.8, Haining Avenue, Haining, Zhejiang, China	
TEL: +86-573-87088701	FAX: +86+573-87081130
www.ferriwo.com	sales@ferriwo.com



# SPECIFICATION

## 1. PHYSICAL DIMENSION(UNIT: m/m):



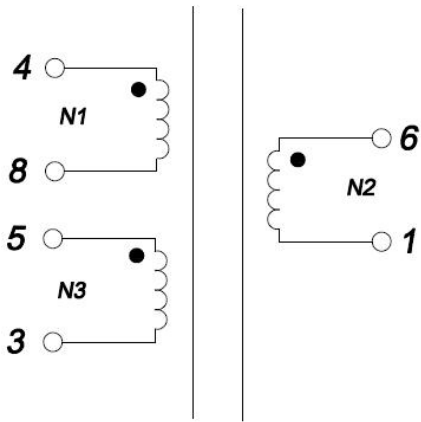
**LEAD FREE**

- \*.Core fix tape 2Ts tape .
- \*.The Label is placed on the product(see the picture above).
- \*.Marked the **PIN #1** by black dot!

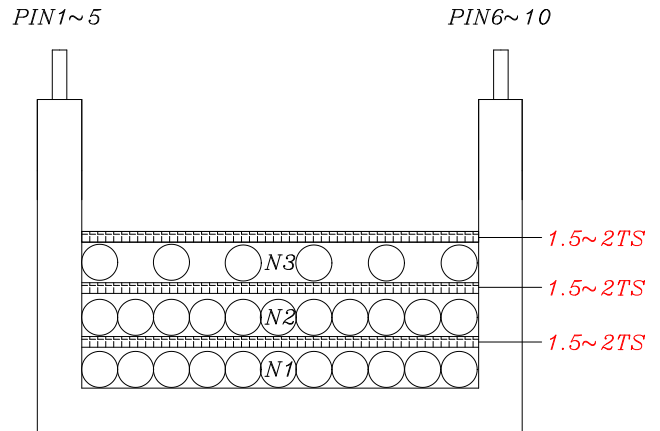
DIM	A	B	C	D	E	F	G	H				
SPEC												
						DESCRIPTION		TRANSFORMER				
						Customer P/N		EFD25-140-350				
						FERRIWO P/N		FWPTefd25H441J-1				
SPEC. NO.	PS-2023-031				PREPARED			APPROVED				

# SPECIFICATION

## 2. SCHEMATIC DIAGRAM:



## 3. CROSS SECTION:



## 4. WINDING TABLE:

Winding NO.	Margin Tape	PIN	Wire & Wire Copper	Turns	Winding Type	Tape Layer	Tube
N1		4-8	0.28 $\phi$ x1P	51Ts	CLOSE	1.5~2Ts	
N2		6-1	0.30 $\phi$ x1P	45Ts	CLOSE	1.5~2Ts	
N3		5-3	0.28 $\phi$ x1P	6Ts	SPREAD	1.5~2Ts	

### NOTE:

1. Products should be vacuum varnish.

\*VARNISH RATIO:1:2

\*VACUUM TIME:15~20minutes

\*BAKED TEMPERATURE:120°C±10°C, 1~1.5huors

**LEAD FREE**

DESCRIPTION

TRANSFORMER

Customer P/N

EFD25-140-350

FERRIWO P/N

FWPTEFD25H441J-1

SPEC. NO.

PS-2023-031

PREPARED



APPROVED



# SPECIFICATION

## 5. ELECTRONICAL CHARACTERISTIC:

TEST CONDITION : TEMPERATURE AT 25°C  
HUMIDITY AT 65 ±5% RH

TEST ITEM	TEST CONDITION	RESULT
INDUCTANCE CH-3250	@1KHz,0.3V (4~8)	447uH±5%
LEAKAGE INDUCTANCE CH-3250	@1KHz,0.3V (4~8)	26.0μH MAX SHORT PIN 1,6
HI-POT TEST CH-9052	@ 2mA 3SEC (AC)	N1,N3<->N2 1.5 KV; N1<->N3 1.0 KV;

NOMINAL RATED POWER - 40 VA

**LEAD FREE**



DESCRIPTION	TRANSFORMER
Customer P/N	EFD25-140-350
FERRIWO P/N	FWPTEFD25H441J-1

SPEC. NO.	PS-2023-031	PREPARED		APPROVED	
-----------	-------------	----------	--	----------	--

# SPECIFICATION

## 6. MATERIAL LIST :

ITEM		MATERIAL	SUPPLIER OR MANUFACTURER	TEMPRATING
1	CORE EFD25/13/9	FW95 OR EQUIVALENT	HAINING FERRIWO ELECTRONICS CO., LTD.	
2	BOBBIN EFD25 (5+5)	PHENOLIC OR EQUIVALENT	CHANG CHUN PLASTICS CO., LTD. UL NO E59481	150°C
3	WIRE	2UEW-F	PACIFIC ELECTRIC WIRE&CABLE(SHENZHEN) CO. LTD UL NO E84081	155°C
4	TAPE	CT280	YAHUA STICKING TAPE CO.,LTD UL NO E165111	130°C
5	VARNISH	BC-346A	JOHN C DOLPH CO BC-346A UL NO E317427	130°C
6	FLUX	TF9100	LINAN GUITONG CHEMICAL TECHNICAL CO.,LTD	
7	TIN	Sn99.3Cu0.7	HAINING ZHUCHANG METAL FOIL CO;LTD	

**LEAD FREE**



DESCRIPTION	TRANSFORMER
Customer P/N	EFD25-140-350
FERRIWO P/N	FWPTEFD25H441J-1

SPEC. NO.

PS-2023-031

PREPARED



APPROVED

