






SPECIFICATION FOR APPROVAL

DESCRIPTION : Transformer
 SPECIFICATION : EFD25-042-1050
 PART NO. : FWPTEFD25H351J
 ISSUE DATE : June 2, 2023

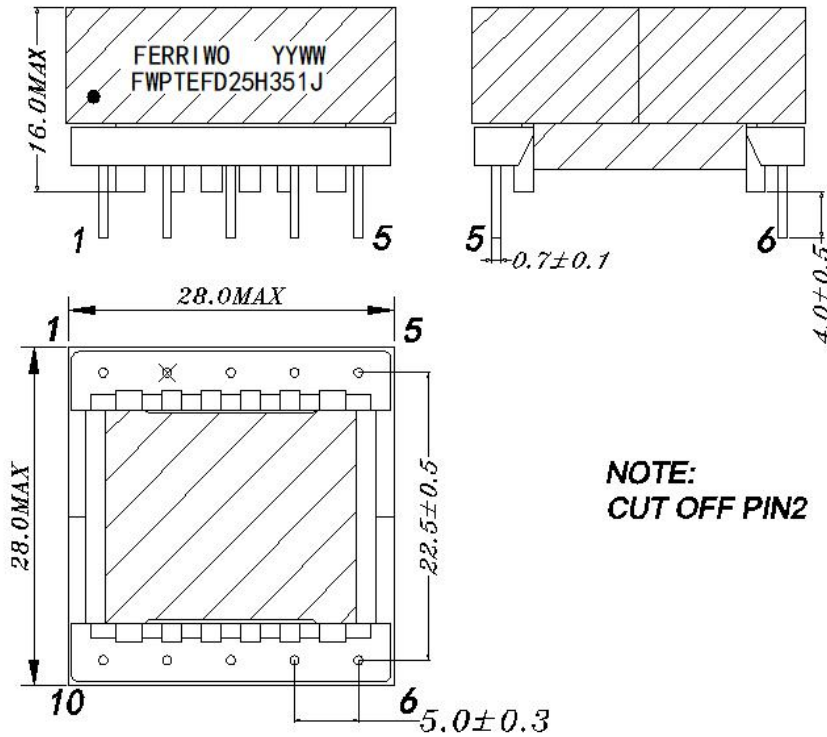
MANUFACTURER APPROVAL		
PREPARED	CHECKED	APPROVED
		

CUSTOMER APPROVAL		
RECEIPT	CHECKED	APPROVED

Haining Ferriwo Electronics Co., Ltd.	
Address: Block 13, Caohejing Technology Park, No.8, Haining Avenue, Haining, Zhejiang, China	
TEL: +86-573-87088701	FAX: +86+573-87081130
www.ferriwo.com	sales@ferriwo.com

SPECIFICATION

1. PHYSICAL DIMENSION(UNIT: m/m):



LEAD FREE

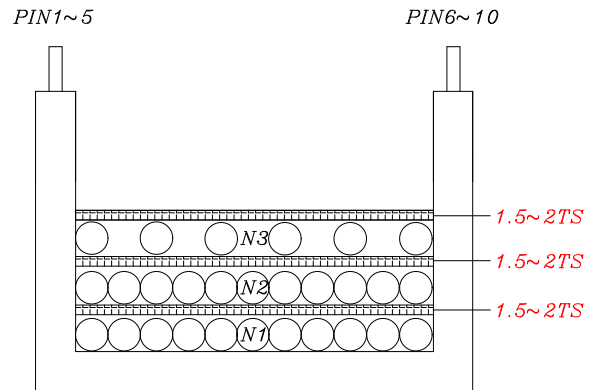
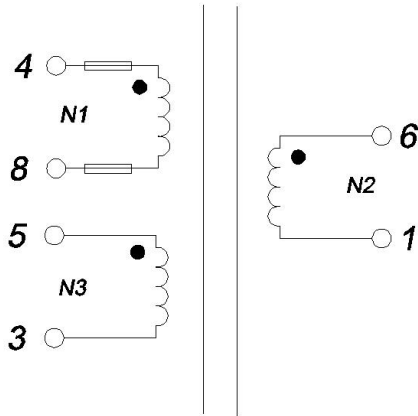
- *.Core fix tape 2Ts tape .
- *.The Label is placed on the product(see the picture above).
- *.Marked the **PIN #1** by black dot!

DIM	A	B	C	D	E	F	G	H				
SPEC												
						DESCRIPTION		TRANSFORMER				
						Customer P/N		EFD25-042-1050				
						FERRIWO P/N		FWPTEFD25H351J				
SPEC. NO.	PS-2023-032				PREPARED			APPROVED				

SPECIFICATION

2. SCHEMATIC DIAGRAM:

3. CROSS SECTION:



4. WINDING TABLE:

Winding NO.	Margin Tape	PIN	Wire & Wire Copper	Turns	Winding Type	Tape Layer	Tube
N1		4-8	0.35 ϕ x1P	42Ts	CLOSE	1.5~2Ts	S=F \geq 10mm
N2		6-1	0.40 ϕ x2P	18Ts	CLOSE	1.5~2Ts	
N3		5-3	0.25 ϕ x1P	8Ts	SPREAD	1.5~2Ts	

NOTE:

1. Products should be vacuum varnish.

*VARNISH RATIO:1:2

*VACUUM TIME:15~20minutes

*BAKED TEMPERATURE:120°C \pm 10°C, 1~1.5huors

LEAD FREE

FERRIWO

DESCRIPTION

TRANSFORMER

Customer P/N

EFD25-042-1050

FERRIWO P/N

FWPTEFD25H351J

SPEC. NO.

PS-2023-032

PREPARED



APPROVED



SPECIFICATION

5. ELECTRONICAL CHARACTERISTIC:

TEST CONDITION : TEMPERATURE AT 25°C
HUMIDITY AT 65 ±5% RH

TEST ITEM	TEST CONDITION	RESULT
INDUCTANCE CH-3250	@1KHz,0.3V (4~8)	352uH±5%
LEAKAGE INDUCTANCE CH-3250	@1KHz,0.3V (4~8)	12.0μH MAX SHORT PIN 1,6
HI-POT TEST CH-9052	@ 2mA 3SEC (AC)	N1,N3<->N2 1.5 KV; N1<->N3 1.0 KV;

NOMINAL RATED POWER - 40 VA

LEAD FREE

DESCRIPTION	TRANSFORMER
Customer P/N	EFD25-042-1050
FERRIWO P/N	FWPTEFD25H351J

SPEC. NO.	PS-2023-032	PREPARED		APPROVED	
-----------	-------------	----------	--	----------	--

SPECIFICATION

5/5

6. MATERIAL LIST :

ITEM	MATERIAL	SUPPLIER OR MANUFACTURER	TEMPRATING	
1	CORE EFD25/13/9	FW95 OR EQUIVALENT	HAINING FERRIWO ELECTRONICS CO., LTD.	
2	BOBBIN EFD25 (5+5)	PHENOLIC OR EQUIVALENT	CHANG CHUN PLASTICS CO., LTD. UL NO E59481	150°C
3	WIRE	2UEW-F	PACIFIC ELECTRIC WIRE&CABLE(SHENZHEN) CO. LTD UL NO E84081	155°C
4	TAPE	CT280	YAHUA STICKING TAPE CO.,LTD UL NO E165111	130°C
5	VARNISH	BC-346A	JOHN C DOLPH CO BC-346A UL NO E317427	130°C
6	TUBE	TEFLON TUBE	GREAT HOLDING INDUSTRIAL CO.,LTD UL NO E156256	200°C
7	FLUX	TF9100	LINAN GUITONG CHEMICAL TECHNICAL CO.,LTD	
8	TIN	Sn99.3Cu0.7	HAINING ZHUCHANG METAL FOIL CO;LTD	

LEAD FREE



DESCRIPTION

TRANSFORMER

Customer P/N

EFD25-042-1050

FERRIWO P/N

FWPTEFD25H351J

SPEC. NO.

PS-2023-032

PREPARED



APPROVED

