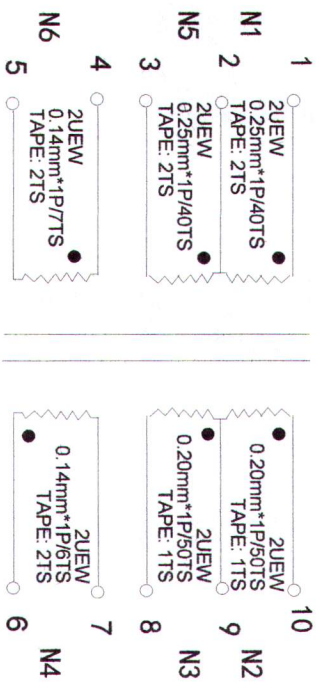
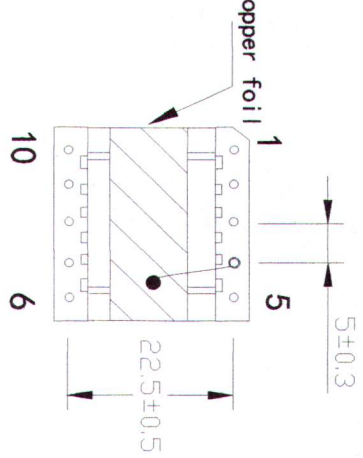
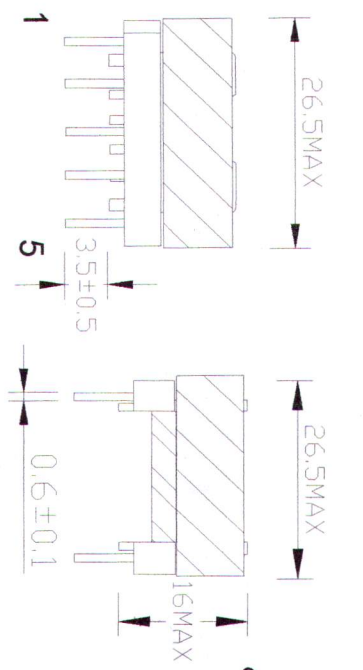


CUSTOMER TERMINAL	ROHS	Lead(Pb)-free
	Yes	Yes

1. Mechanical Dimensions : (mm)



NOTE: All winding margin tape to 2 sides: 2mm/2L 1TS

2. Schematic Diagram

3. Material List

NOTE: **WHITE DOT TO PIN 1.**

Core: EFD25-25 (FW44) (GAP)
 Bobbin: EFD25 5+5PIN
 Wire: 2UEW-F-Ø0.25mm, Ø0.20mm, Ø0.14mm
 Tape: 17mm/w(yellow)
 Copper foil: 0.05mm*10mm.

4. Electrical Specification

Inductance: L (1-3): 1mH±10%, 1KHZ 0.3V
 Lk: (1-3): 60uH max (short pin4,5,6,7,8,9,10), 1KHZ 0.3V
 DC Resistance: R(1-3)=1.5Ω max, R(10-8)=2.5Ω max,
 Dielectric Strength: Between 1,4-6,10 No Break-down Applied AC 2kV/1mA/ 60S
 Between coil-core No Break-down Applied AC 1kV/50Hz/1mA/ 60S.

REV.	DATE	DRAWING TITLE		Part No:
0	03/15	TRANSFORMER		FWPTEFD25-01
Convention placement		DRW.	LI SONG LIN	
		CHK.	HE PING JUN	
www.ferrimo.com		APP.	WANG YUAN ZHI	Customer P/N: TTC42-0.15-285-01
RoHS				SPECIFICATION SHEET 1 OF 1

THIS DOCUMENT IS STRICTLY NOT ALLOWED TO BE DUPLICATED WITHOUT AUTHORIZATION