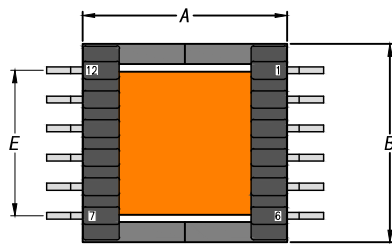
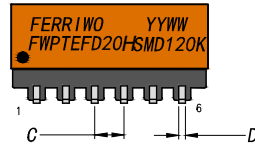
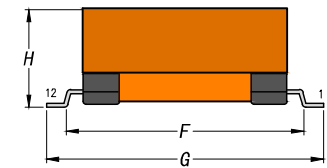


CUSTOMER TERMINAL	ROHS	Lead(Pb)-free
	YES	YES

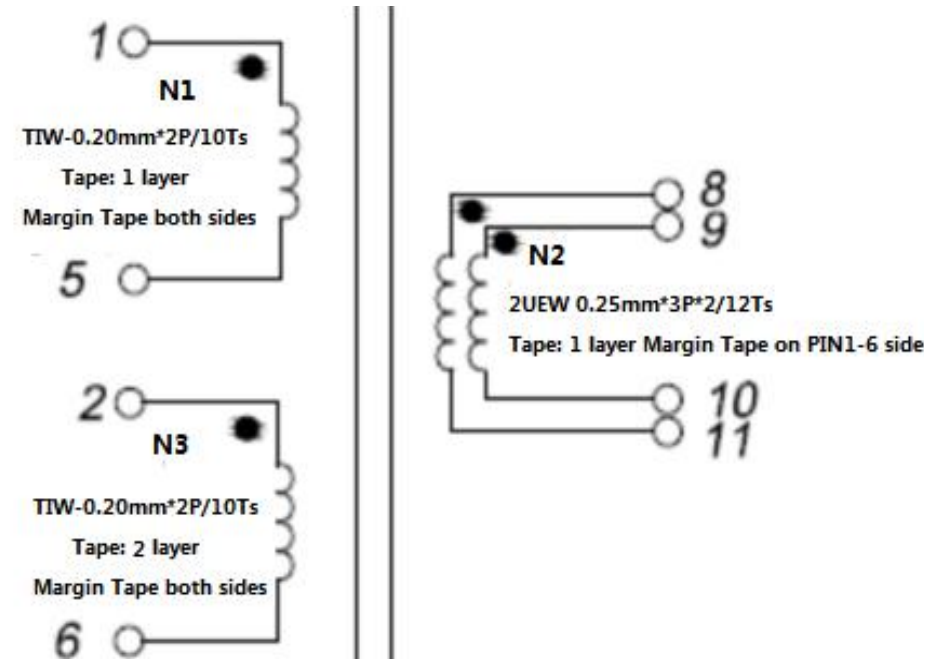


1.Mechanical Dimensions



- A:23.5 MAX
- B:21.8 MAX
- C:3.0+/-0.3
- D:0.7X0.4(+/-0.1)
- E:15.0+/-1.0
- F:24.6 REF
- G:29.2 MAX
- H:12.0 MAX

2.Schematic Diagram



3.Material List

- Core:FW40-EFD20
- Bobbin:EFD20-6+6PIN SMD
- Wire:2UEW 0.25 TIW-B-0.2mm 130 °C
- Tape:PF-301-1.8mm CT-80-25u Vranish:T4260GK

4.Electrical Specification

- Inductance:L (1,2-5,6) =12uH±10% 200KHz 1V
- Lk:L (1,2-5,6) =0.25uH MAX 200KHz 1V(short 8/9/10/11)
- Hi-Pot:P-S: AC 50Hz 4000V 1mA 2SEC
- Coil-CORE:AC 50Hz 500V 1mA 2SEC

REV.	DATE	<p>Convention Placement</p>	DRW.	夏晓凯	Drawing Title:	Part No:
0	00/00		CHK.	潘玉财		
			APP.	王永生	Customer P/N	Specification Sheet 1of 1
ROHS		www.ferriwo.com			G158115LF	