



SPECIFICATION FOR APPROVAL

DESCRIPTION: INDUCTOR
 SPECIFICATION: SMP-C6609
 PART NO: FWPTEFD20H501J
 ISSUE DATE: January 10, 2023

MANUFACTURER APPROVAL		
PREPARED	CHECKED	APPROVED

CUSTOMER APPROVAL		
PREPARED	CHECKED	APPROVED

Haining Ferriwo Electronics Co.,Ltd.

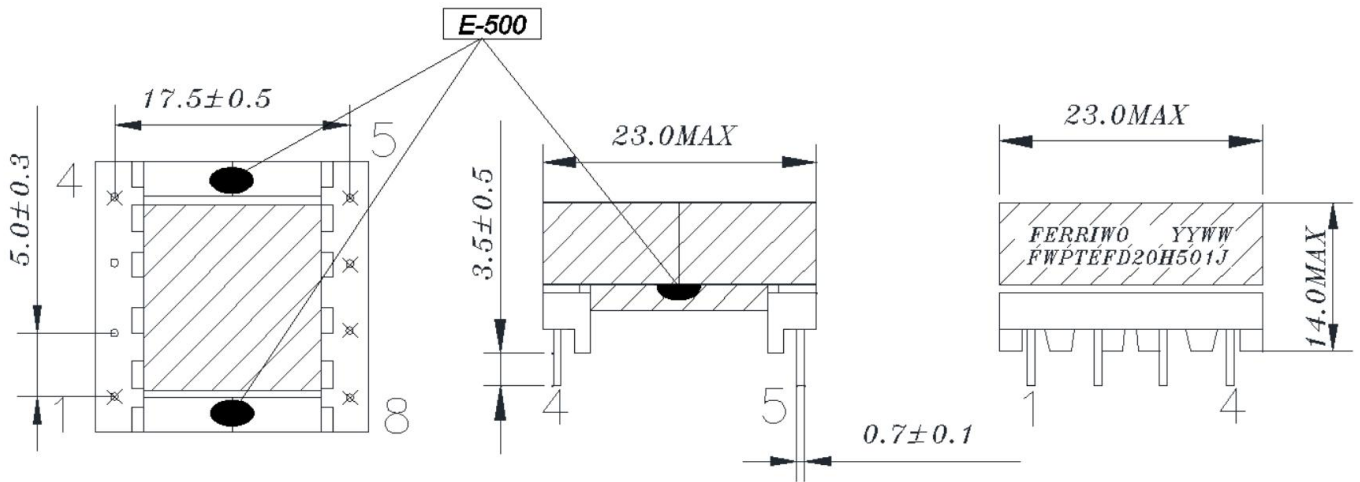
Address:Block 13, Caohejing Technology Park, No.8,
 Haining Avenue, Haining, Zhejiang 314400, China

TEL:+86-0573-87088701 FAX:+86-0573-87081130

www.ferriwo.com sales@ferriwo.com

SPECIFICATION

1. PHYSICAL DIMENSION(UNIT: m/m):



NOTE: PIN1,4,5,6,7,8 CUT OFF

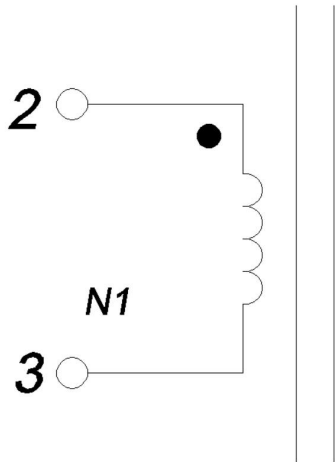
LEAD FREE

*.Core fix tape 2Ts .

*.The Label is placed on the product(see the picture above).

DIM	a	b	c	d	e	f	g				
SPEC											
						DESCRIPTION		INDUCTOR			
						Customer P/N		SMP-C6609			
						FERRIWO P/N		FWPTEFD20H501J			
SPEC. NO.	PS-2023-003				PREPARED			APPROVED			

2.WINDING TABLE:



3.WINDING TABLE:

Winding NO.	Margin Tape	PIN	Wire &Wire Copper	Turns	Winding Type	Tape Layer	Tube
N1	0	2~3	0.55 ϕ x 1P	75Ts	CLOSE	2.5	

LEAD FREE

	DESCRIPTION	INDUCTOR			
	Customer P/N	SMP-C6609			
	FERRIWO P/N	FWPTEFD20H501J			
SPEC. NO.	PS-2023-003	PREPARED		APPROVED	

SPECIFICATION

4. ELECTRONICAL CHARACTERISTIC:

TEST CONDITION : TEMPERATURE AT 25°C
HUMIDITY AT 65 ±5% RH

TEST ITEM	TEST CONDITION	RESULT
INDUCTANCE CH-3250	@15KHz,1V (2~3)	500uH ± 5%
DCR CH-502	(2~3)	0.25Ω MAX

LEAD FREE



DESCRIPTION	INDUCTOR
Customer P/N	SMP-C6609
FERRIWO P/N	FWPTEFD20H501J

SPEC. NO.

PS-2023-003

PREPARED



APPROVED



SPECIFICATION

5. MATERIAL LIST :

ITEM	MATERIAL	SUPPLIER OR MANUFACTURER	TEMPRATING
1	CORE EFD21	FW44 OR EQUIVALENT HAINING FERRIWO ELECTRONICS CO., LTD.	
2	BOBBIN	PHENOLIC OR EQUIVALENT SUMITOMO BAKELITE CO., LTD. UL NO E41429	150°C
3	WIRE	2UEW-F PACIFIC ELECTRIC WIRE&CABLE(SHENZHEN) CO. LTD UL NO E84081	155°C
4	TIN	Sn99.3Cu0.7 HAINING ZHUCHANG METAL FOIL CO;LTD	
5	TAPE	CT280 YAHUA STICKING TAPE CO.,LTD UL NO E165111	130°C
6	VARNISH	R-1038 JOHN C DOLPH CO BC-346A UL NO E317427	130°C
7	EPOXY	E-500 (BLACK) SUZHOU EATTO ELECTRONIC MATERIAL CO.,LTD UL NO E218090	130°C
8	FLUX	TF9100 LINAN GUITONG CHEMICAL TECHNICAL CO.,LTD	

LEAD FREE



DESCRIPTION

INDUCTOR

Customer P/N

SMP-C6609

FERRIWO P/N

FWPTEFD20H501J

SPEC. NO.

PS-2023-003

PREPARED



APPROVED

