






**SPECIFICATION FOR APPROVAL**

DESCRIPTION: TRANSFORMER  
 SPECIFICATION: EFD20-334uH  
 PART NO: FWPTEFD20H331K  
 ISSUE DATE: 1 July 2022

MANUFACTURER APPROVAL		
PREPARED	CHECKED	APPROVED
		

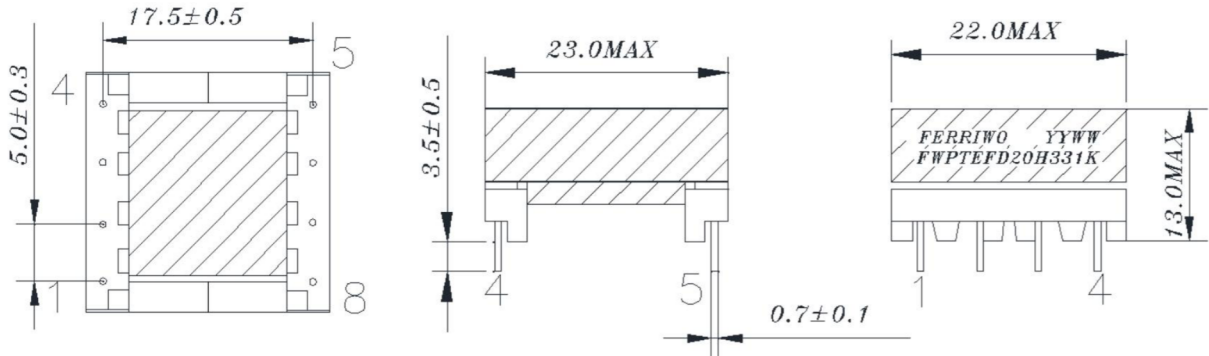
CUSTOMER APPROVAL		
PREPARED	CHECKED	APPROVED

Haining Ferriwo Electronics Co.,Ltd.	
Address:Block 13, Caohejing Technology Park, No.8, Haining Avenue, Haining, Zhejiang 314400, China	
TEL:+86-0573-87088701	FAX:+86-0573-87081130
www.ferriwo.com	sales@ferriwo.com



# SPECIFICATION

1. PHYSICAL DIMENSION(UNIT: m/m):



**LEAD FREE**

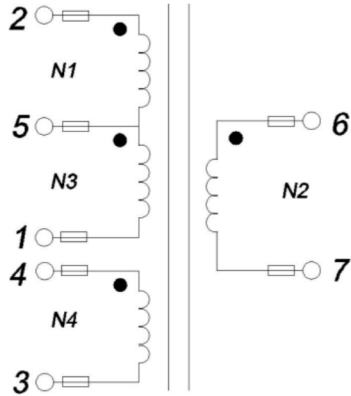
\*.Core fix tape 2Ts .

\*.The Label is placed on the product(see the picture above).

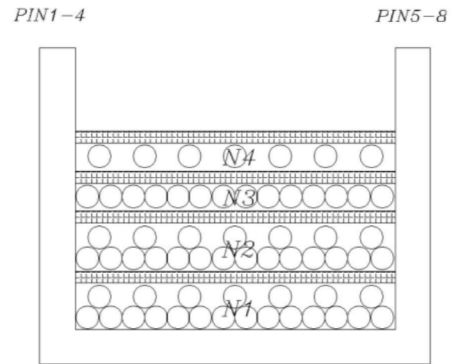
DIM	A	B	C	D	E	F	G	H				
SPEC												
						DESCRIPTION			TRANSFORMER			
						Customer P/N			EFD20-334uH			
						FERRIWO P/N			FWPTEFD20H331K			
SPEC. NO.	PS-2022-022				PREPARED			APPROVED				

# SPECIFICATION

## 2.WINDING TABLE:



## 3.WINDING:



## 4.WINDING TABLE:

Winding NO.	Margin Tape	PIN	Wire & Wire Copper	Turns	Winding Type	Tape Layer	Tube
N1		2~5	0.25 ϕ x 1P	75Ts	CLOSE+SPREAD	2Ts	
N2		6~7	0.25 ϕ x 1P	67Ts	CLOSE+SPREAD	2Ts	
N3		5~1	0.25 ϕ x 1P	45Ts	CLOSE	2Ts	
N4		4~3	0.2 ϕ x 1P	33Ts	SPREAD	3Ts	

**NOTE:**

- 1. Products should be vacuum impregnation
- \*VARNISH RATIO: 1:1
- \*VACUUM TIME: 15~20minutes
- \*BAKED TEMPERATURE : 120°C±10°C , 1~1.5hours

**LEAD FREE**



DESCRIPTION	TRANSFORMER
Customer P/N	EFD20-334uH
FERRIWO P/N	FWPTEFD20H331K

SPEC. NO.	PS-2022-022	PREPARED		APPROVED	
-----------	-------------	----------	--	----------	--

# SPECIFICATION

4/5

## 5. ELECTRONICAL CHARACTERISTIC:

TEST CONDITION : TEMPERATURE AT 25°C  
HUMIDITY AT 65 ±5% RH

TEST ITEM	TEST CONDITION	RESULT
INDUCTANCE CH-3250	@1KHz,0.3V (2~5)	334uH±10%
HI-POT TEST CH-9052	@ 2mA 3SEC (AC)	COIL<->COIL<->CORE 1.0 KV;

NOMINAL RATED POWER - 100 VA

**LEAD FREE**



DESCRIPTION	TRANSFORMER
Customer P/N	EFD20-334uH
FERRIWO P/N	FWPTEFD20H331K

SPEC. NO.

PS-2022-022

PREPARED



APPROVED



# SPECIFICATION

## 6. MATERIAL LIST :

ITEM		MATERIAL	SUPPLIER OR MANUFACTURER	TEMPRATING
1	CORE EFD20	FW40 OR EQUIVALENT	HAINING FERRIWO ELECTRONICS CO., LTD.	
2	BOBBIN	PHENOLIC OR EQUIVALENT	SUMITOMO BAKELITE CO., LTD. UL NO E41429	150°C
3	WIRE	2UEW-F	PACIFIC ELECTRIC WIRE&CABLE(SHENZHEN) CO. LTD UL NO E84081	155°C
4	TUBE	TEFLON TUBE	GREAT HOLDING INDUSTRIAL CO.,LTD UL NO E156256	200°C
5	TAPE	CT280	YAHUA STICKING TAPE CO.,LTD UL NO E165111	130°C
6	VARNISH	R-1038	JOHN C DOLPH CO BC-346A UL NO E317427	130°C
7	FLUX	TF9100	LINAN GUITONG CHEMICAL TECHNICAL CO.,LTD	
8	TIN	Sn99.3Cu0.7	HAINING ZHUCHANG METAL FOIL CO;LTD	

**LEAD FREE**



DESCRIPTION	TRANSFORMER
Customer P/N	EFD20-334uH
FERRIWO P/N	FWPTEFD20H331K

SPEC. NO.

PS-2022-022

PREPARED



APPROVED

