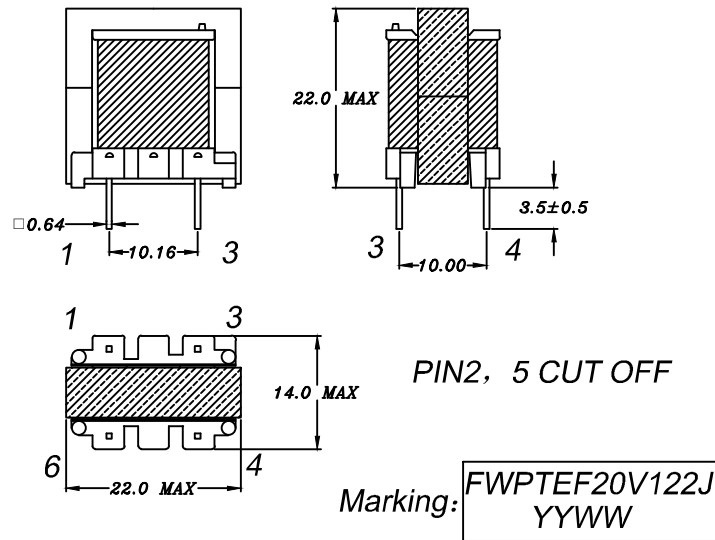


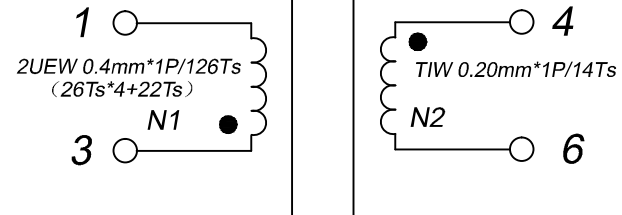
CUSTOMER TERMINAL	ROHS	Lead (Pb) -free
	YES	YES



### 1.Mechanical Dimensions



### 2.Schematic Diagram



Note: Use 3.0mm margin tape 1turn near PIN4-6 side before the N2 winding.

### 3.Material List

Core:FW40-EE20/10/6  
 Bobbin:FWB2011  
 Wire:2UEW-0.4mm TIW-B-0.2mm 130°C  
 Operating Temperature: -30 to 115°C

### 4.Electrical Specification

Inductance: L (1-3) = 1.2mH±4% 1.0KHZ 1.0V  
 HI-POT: P-S AC 3000V 3mA 1s  
 P、S-CORE AC 1000V 3mA 1s

REV.	DATE		DRW.	  	Drawing Title:	Part No:
0	00/00		CHK.		<b>TRANSFORMER</b>	FWPTEF20V122J
<b>RoHS</b>		www.ferriwo.com	APP.	Customer P/N:	Specification Sheet 1 of 1	
				KST-E20-60W-SYM		