






SPECIFICATION FOR APPROVAL

DESCRIPTION: TRANSFORMER
 SPECIFICATION: EF12.6-420uH
 PART NO: FWPTEF12.6V421K
 ISSUE DATE: 18 May 2022

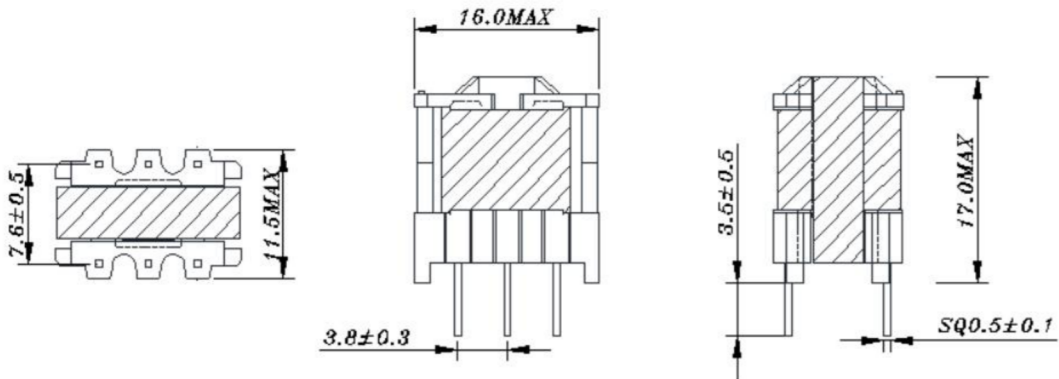
MANUFACTURER APPROVAL		
PREPARED	CHECKED	APPROVED
		

CUSTOMER APPROVAL		
PREPARED	CHECKED	APPROVED

Haining Ferriwo Electronics Co.,Ltd.	
Address:Block 13, Caohejing Technology Park, No.8, Haining Avenue, Haining, Zhejiang 314400, China	
TEL:+86-0573-87088701	FAX:+86-0573-87081130
www.ferriwo.com	sales@ferriwo.com

SPECIFICATION

1. PHYSICAL DIMENSION(UNIT: m/m):



MARKING:
 FERRIWO YYW
 FWPTEF12.6V421K

LEAD FREE

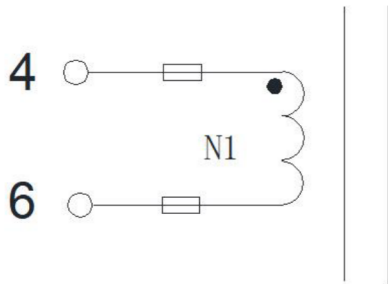
*.Core fix tape 2Ts .

*.The Label is placed on the product(see the picture above).

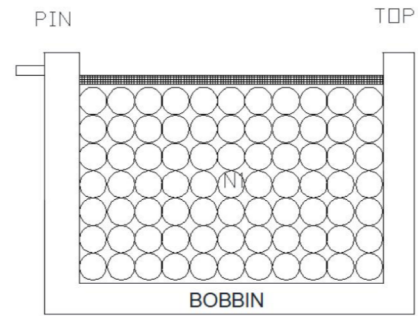
DIM	A	B	C	D	E	F	G	H				
SPEC												
							DESCRIPTION		TRANSFORMER			
							Customer P/N		EF12.6-420uH			
							FERRIWO P/N		FWPTEF12.6V421K			
SPEC. NO.	PS-2022-019				PREPARED			APPROVED				

SPECIFICATION

2.WINDING TABLE:



3.WINDING:



4.WINDING TABLE:

Winding NO.	Margin Tape	PIN	Wire &Wire Copper	Turns	Winding Type	Tape Layer	Tube
N1		4~6	0.1 ϕ x 10P	84Ts	CLOSE	2Ts	L ≥ 6mm

NOTE:

- 1. Products should be vacuum impregnation
- *VARNISH RATIO: 1:1
- *VACUUM TIME: 15~20minutes
- *BAKED TEMPERATURE : 120°C±10°C , 1~1.5hours

LEAD FREE

	DESCRIPTION	TRANSFORMER			
	Customer P/N	EF12.6-420uH			
	FERRIWO P/N	FWPTEF12.6V421K			
SPEC. NO.	PS-2022-019	PREPARED		APPROVED	

SPECIFICATION

4/5

5. ELECTRONICAL CHARACTERISTIC:

TEST CONDITION : TEMPERATURE AT 25°C
HUMIDITY AT 65 ±5% RH

TEST ITEM	TEST CONDITION	RESULT
INDUCTANCE CH-3250	@15KHz,1V (4~6)	420uH±10%
HI-POT TEST CH-9052	@ 2mA 3SEC (AC)	COIL<->CORE 1.0 KV;

NOMINAL RATED POWER - 30 VA

LEAD FREE



DESCRIPTION	TRANSFORMER
Customer P/N	EF12.6-420uH
FERRIWO P/N	FWPTEF12.6V421K

SPEC. NO.

PS-2022-019

PREPARED



APPROVED



SPECIFICATION

6. MATERIAL LIST :

ITEM	MATERIAL	SUPPLIER OR MANUFACTURER	TEMPRATING	
1	CORE EF12.6	FW40 OR EQUIVALENT	HAINING FERRIWO ELECTRONICS CO., LTD.	
2	BOBBIN	PHENOLIC OR EQUIVALENT	SUMITOMO BAKELITE CO., LTD. UL NO E41429	150°C
3	WIRE	2UEW-F	PACIFIC ELECTRIC WIRE&CABLE(SHENZHEN) CO. LTD UL NO E84081	155°C
4	TUBE	TEFLON TUBE	GREAT HOLDING INDUSTRIAL CO.,LTD UL NO E156256	200°C
5	TAPE	CT280	YAHUA STICKING TAPE CO.,LTD UL NO E165111	130°C
6	VARNISH	R-1038	JOHN C DOLPH CO BC-346A UL NO E317427	130°C
7	FLUX	TF9100	LINAN GUITONG CHEMICAL TECHNICAL CO.,LTD	
8	TIN	Sn99.3Cu0.7	HAINING ZHUCHANG METAL FOIL CO;LTD	

LEAD FREE



DESCRIPTION	TRANSFORMER
Customer P/N	EF12.6-420uH
FERRIWO P/N	FWPTEF12.6V421K

SPEC. NO.

PS-2022-019

PREPARED



APPROVED

