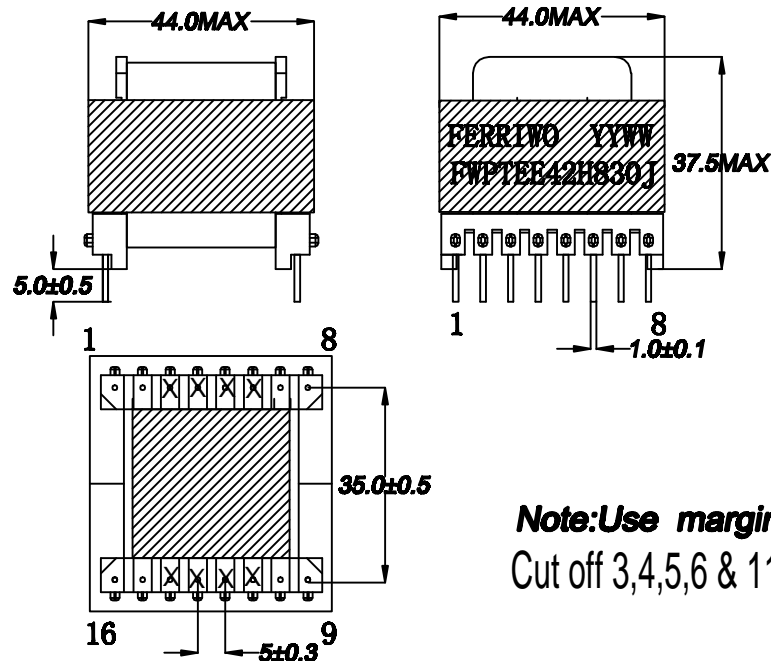


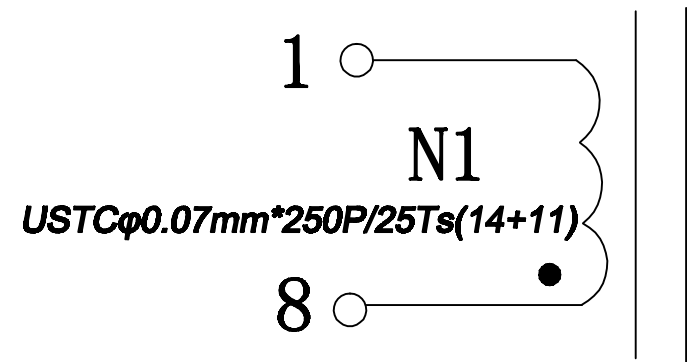
CUSTOMER TERMINAL	ROHS	Lead (Pb) -free
	YES	YES



1. Mechanical Dimensions



2. Schematic Diagram



Note: Use margin tape 9 turns with 0.3t*27.0mm around the bobbin before winding
Cut off 3,4,5,6 & 11,12,13,14 pins

3. Material List

Core: FW44-EE4215
Bobbin: FWBEE4201-Q (8+8PIN)
Wire: USTCφ0.07mm*250P 130℃
Operating Temperature: -30 to 115℃

4. Electrical Specification

Inductance: L (1-8) = 83uH±5% 1.0KHZ 0.3V
 NOMINAL RATED POWER - 200 VA

REV.	DATE	 Convention Placement	DRW.	 	Drawing Title: <h2 style="text-align: center;">CHOKE</h2> Customer P/N: EE4215	Part No:
1.0	19/03/26		CHK.			FWPTEE42H830J
RoHS		www.ferriwo.com	APP.			Specification Sheet 1 of 1