



SPECIFICATION FOR APPROVAL




CHOKE

DESCRIPTION: _____

SPECIFICATION: EE4215

PART NO: FWPTEE42H111J

ISSUE DATE: November 24, 2023

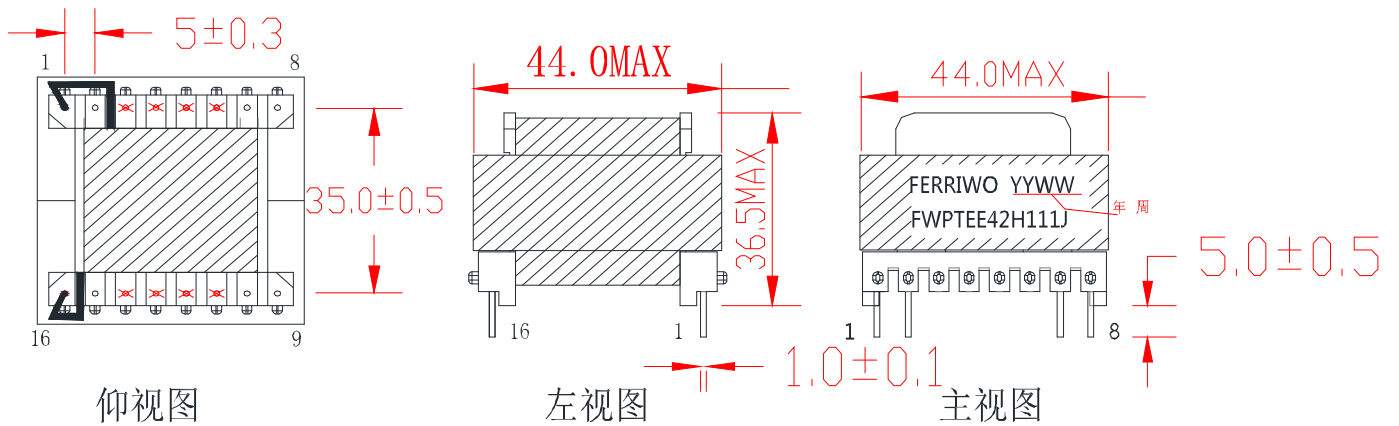
MANUFACTURER APPROVAL		
PREPARED	CHECKED	APPROVED
		

CUSTOMER APPROVAL		
PREPARED	CHECKED	APPROVED

Haining Ferriwo Electronics Co.,Ltd.	
Address:Block 13, Caohejing Technology Park, No.8, Haining Avenue, Haining, Zhejiang 314400, China	
TEL:+86-0573-87088701	FAX:+86-0573-87081130
www.ferriwo.com	sales@ferriwo.com

SPECIFICATION

1. PHYSICAL DIMENSION(UNIT: m/m):



NOTE:
CUT OFF PIN3,4,5,6,11,12,13,14.

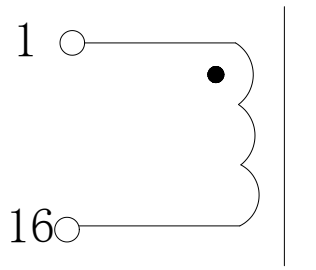
LEAD FREE

- *.Core fix tape 3Ts .
- *.The Label is placed on the product(see the picture above).

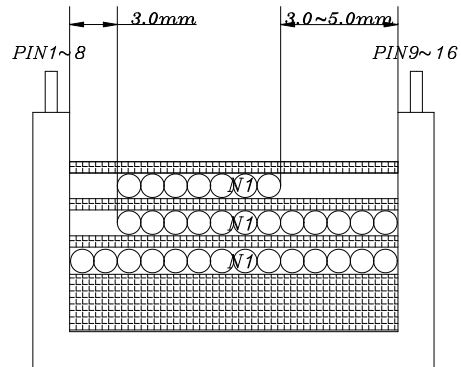
DIM	A	B	C	D	E	F	G	H				
SPEC												
						DESCRIPTION			CHOKE			
						Customer P/N			EE4215			
						FERRIWO P/N			FWPTEE42H111J			
SPEC. NO.	PS-2023-092				PREPARED			APPROVED				

SPECIFICATION

2.WINDING TABLE:



3.WINDING:



Note: Use margin tape 9 turns with 0.3t*27.0mm around the bobbin before winding

4.WINDING TABLE:

Winding NO.	Margin Tape	PIN	Wire & Wire Copper	Turns	Winding Type	Tape Layer	Tube
N1		1~16	USTC-0.07 ϕ x 250P	33Ts (14+12+7)	CLOSE	2Ts+2Ts+2Ts	

NOTE:

- 1. Products should be vacuum impregnation
- *VARNISH RATIO: 1:1
- *VACUUM TIME: 15~20minutes
- *BAKED TEMPERATURE : 120°C±10°C, 1~1.5hours

LEAD FREE

	DESCRIPTION	CHOKE			
	Customer P/N	EE4215			
	FERRIWO P/N	FWPTEE42H111J			
SPEC. NO.	PS-2023-092	PREPARED		APPROVED	

SPECIFICATION

5. ELECTRONICAL CHARACTERISTIC:

TEST CONDITION : TEMPERATURE AT 25°C

HUMIDITY AT 65 ±5% RH

TEST ITEM	TEST CONDITION	RESULT
INDUCTANCE CH-3250	@1KHz,0.3V (1~16)	110uH±5%

LEAD FREE



DESCRIPTION CHOKE

Customer P/N EE4215

FERRIWO P/N FWPTEE42H111J

SPEC. NO.

PS-2023-092

PREPARED



APPROVED



SPECIFICATION

6. MATERIAL LIST :

ITEM	MATERIAL	SUPPLIER OR MANUFACTURER	TEMPRATING
1	CORE EE42/42/15 FW44 OR EQUIVALENT	HAINING FERRIWO ELECTRONICS CO., LTD.	
2	BOBBIN FWB4201-Q PHENOLIC OR EQUIVALENT	SUMITOMO BAKELITE CO., LTD. UL NO E41429	150°C
3	WIRE 2UEW-F	PACIFIC ELECTRIC WIRE&CABLE(SHENZHEN) CO. LTD UL NO E84081	155°C
4	TAPE CT280	YAHUA STICKING TAPE CO.,LTD UL NO E165111	130°C
5	VARNISH R-1038	JOHN C DOLPH CO BC-346A UL NO E317427	130°C
6	FLUX TF9100	LINAN GUITONG CHEMICAL TECHNICAL CO.,LTD	
7	TIN Sn99.3Cu0.7	HAINING ZHUCHANG METAL FOIL CO;LTD	

LEAD FREE



DESCRIPTION

CHOKE

Customer P/N

EE4215

FERRIWO P/N

FWPTEE42H111J

SPEC. NO.

PS-2023-092

PREPARED



APPROVED

