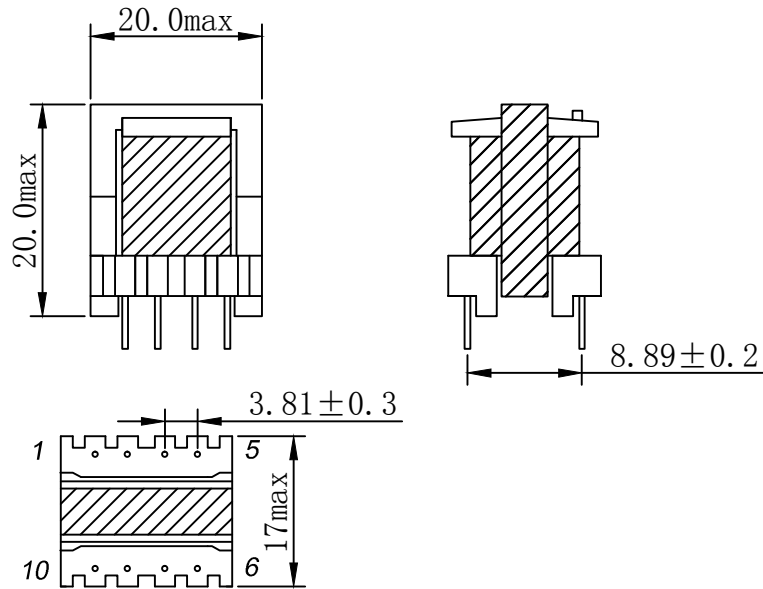


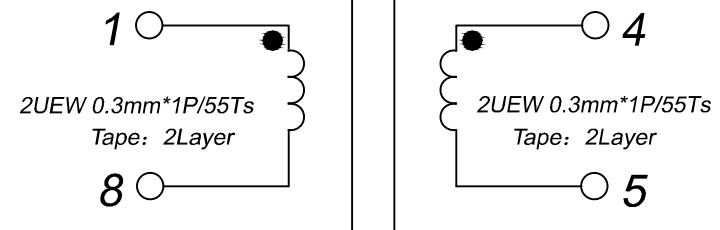
| | | |
|-------------------|------|-----------------|
| CUSTOMER TERMINAL | ROHS | Lead (Pb) -free |
| | YES | YES |



1. Mechanical Dimensions



2. Schematic Diagram



3. Material List

Core:EE16 FW40
 Bobbin:EE16 4+4PIN
 Wire:2UEW 0.30mm 155°C
 Operating Temperature: -30 to 115°C

4. Electrical Specification

Inductance: L (3-1) =45uH±10% 1.0KHZ 1.0V
 Leakage Inductance: Lk (3-1) ≤65uH 100KHZ 1V
 Hi-pot: P to S: AC50HZ1000V 3mA 1S
 coil to core: AC50HZ500V 3mA 1S

| | | | | | | |
|------|-------|--------------------------|------|-------------|---|-----------------|
| REV. | DATE | Convention Placement | DRW. | Xia xiaokai | Drawing Title: TRANSFORMER Customer P/N: | Part No: |
| 0 | 03/21 | | CHK. | Pan yuca | | FWPT-EF16V-451K |
| RoHS | | www.ferriwo.com | APP. | Zhu Kan | Specification Sheet 1 of 1 | |