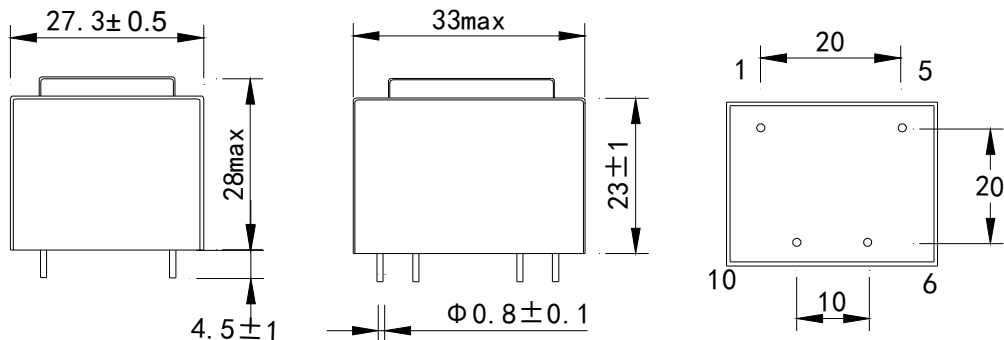


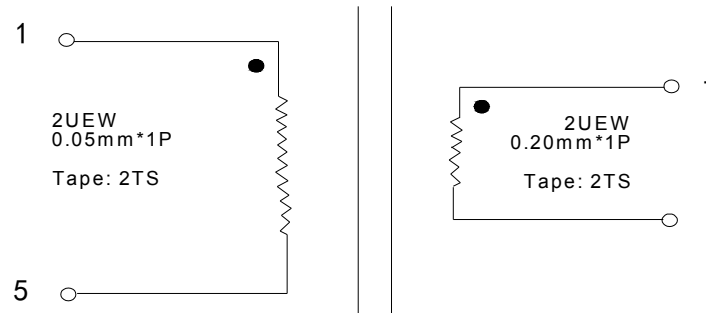
CUSTOMER TERMINAL	ROHS	Lead(Pb)-free
	Yes	Yes



1. Mechanical Dimensions: (mm)



2. Schematic Diagram



PIN2, 3, 4, 6, 8, 10 CUT OFF. Marking Write on the component case: FWE130523

PRI: 230V 50/60Hz 1-5

SEC: 9V 0.222A 7-9

Ta 70/B

3. Material List

Core: EI30- (0.5mm/t)

Bobbin: EI30-15.5-NL 10PIN

Wire: 2UEW-F-Ø0.05mm, Ø0.20mm.

Epoxy resin: A and B(910D)

MALAYER TAPE : W=5.5mm (JY25-A)

4. Electrical Specification

INPUT: (1-5):230VAC,50/60Hz.

OUTPUT: (7-9):9V±5% 2VA.

Insulation Resistance: Between P to S 100MΩ min applied 500V DC

Dielectric Strength: Between P-S No Break-down Applied AC 4000V 5S

Between P,S-C No Break-down Applied AC 1000V 5S

REV.	DATE	<p>Convention placement</p>	DRW.	LI SONG LIN	DRAWING TITLE	Part No:		
0	03/15		CHK.	HE PING JUN			<h1>TRANSFORMER</h1>	FWE130523
			APP.	WANG YUAN ZHI				
RoHS		www.ferriwo.com				SPECIFICATION SHEET 1 OF 1		