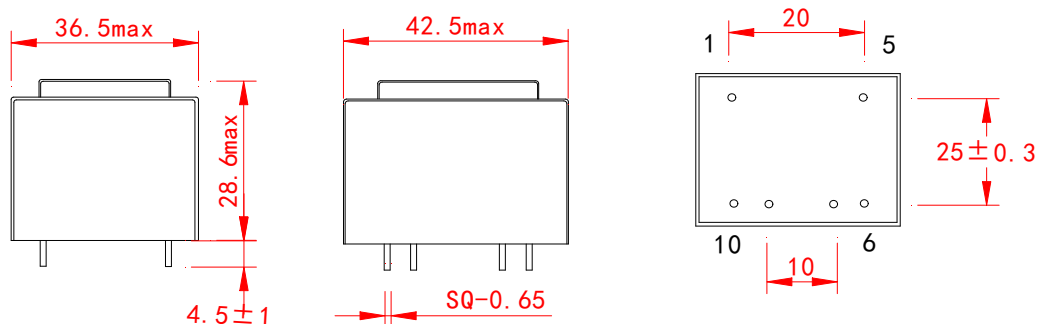


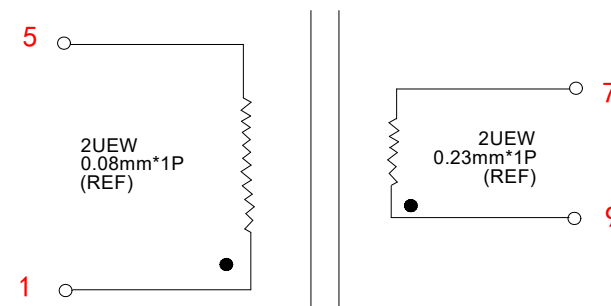
CUSTOMER TERMINAL	ROHS	Lead(Pb)-free
	Yes	Yes



1. Mechanical Dimensions: (mm)



2. Schematic Diagram



PIN2, 3, 4, 8 CUT OFF. Marking Write on the component case: FWE138426B

PRI: 230V 50/60Hz 1-5
 SEC: 18V 4.5VA 7-9
 Ta 70/B

3. Material List

Core: EI38- (0.5mm/t) -(huahuang Co.,Ltd)
 Bobbin: EI38-13.6- 10PIN -(huahuang Co.,Ltd)
 Wire: 2UEW-F-Ø0.08mm, Ø0.23mm. -(Langli Co.,Ltd)
 Epoxy resin: A and B(910D)- (Jiaxing jiagang Co.,Ltd)

4. Electrical Specification

INPUT: (1-5):230VAC,50/60Hz.
 OUTPUT: (7-9): 18V±5% 4.5VA.
 Dielectric Strength: Between P-S No Break-down Applied AC 2000V 2S
 Between P,S-C No Break-down Applied AC 500V 2S

REV.	DATE	 Convention placement	DRW.	LI SONG LIN	DRAWING TITLE TRANSFORMER Customer P/N: EI38-13.6-4.5VA(18V)	Part No:
0	02/23		CHK.	HE PING JUN		FWE138426B
			APP.	WANG YUAN ZHI		SPECIFICATION SHEET 1 OF 1
RoHS		www.ferriwo.com				