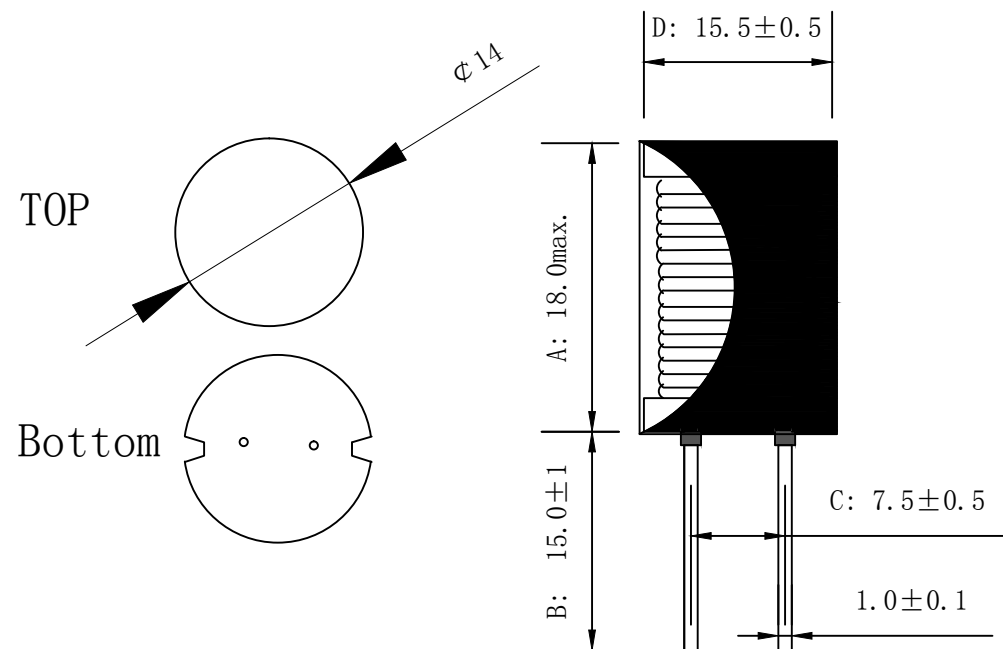


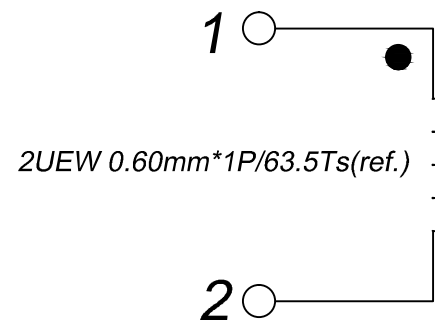
CUSTOMER TERMINAL	ROHS	Lead (Pb) -free
	YES	YES



1. Mechanical Dimensions (Unit: mm)



2. Schematic Diagram



3. Material List

Core:FWDR14*15

Wire:2UEW 0.60mm 155°C

Operating Temperature: -30 to 115°C

4. Electrical Specification

Inductance: $L=220\mu H \pm 10\%$ 10.0KHZ 0.1V

DCR: 0.26Ω max

IDC: 1.85mA

REV.	DATE	 Convention Placement	DRW.	Pan Yucai	Drawing Title: INDUCTOR	Part No:	FWDR1415B-221K
0	03/20		CHK.	Zhu Kan		Customer P/N:	FWDR1415B-221K
RoHS		www.ferriwo.com	APP.	Xia Xiaokai	Specification Sheet 1 of 1		