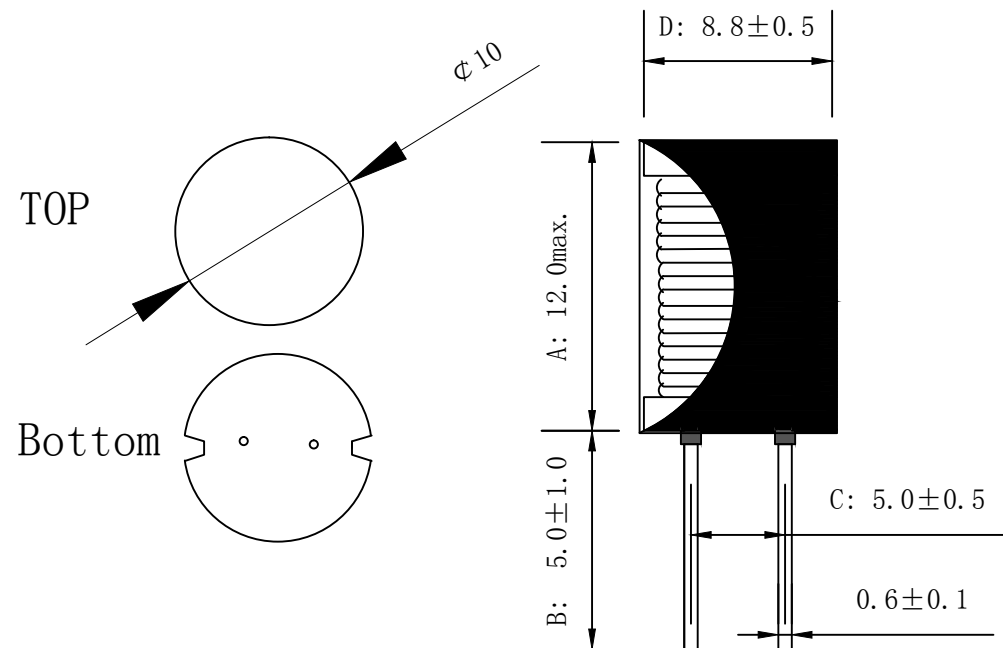


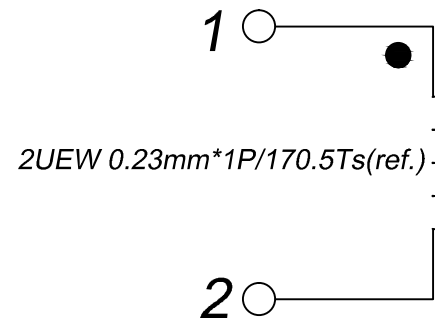
CUSTOMER TERMINAL	ROHS	Lead (Pb) -free
	YES	YES



1. Mechanical Dimensions (Unit: mm)



2. Schematic Diagram



3. Material List

Core: DR8*10
 Wire: 2UEW 0.23mm 155°C
 Operating Temperature: -30 to 115°C

4. Electrical Specification

Inductance: $L=1.0\text{mH}\pm 10\%$ 1.0KHZ 1.0V
 DCR: 4.3Ω max
 IDC: 0.45A

REV.	DATE	 Convention Placement	DRW.	Wang Xiao Lin	Drawing Title: INDUCTOR Customer P/N: RLB0912-102KL	Part No:	FWDRI0810B-102K
0	03/20		CHK.	He Ping		Specification Sheet 1 of 1	
RoHS		www.ferriwo.com	APP.	Zhu Kan			