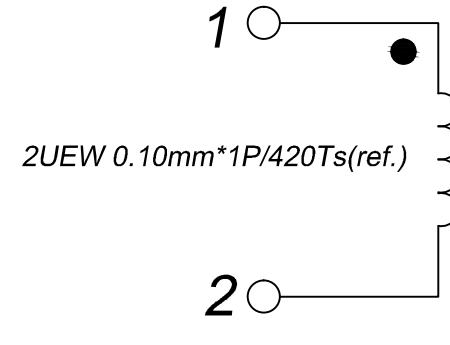
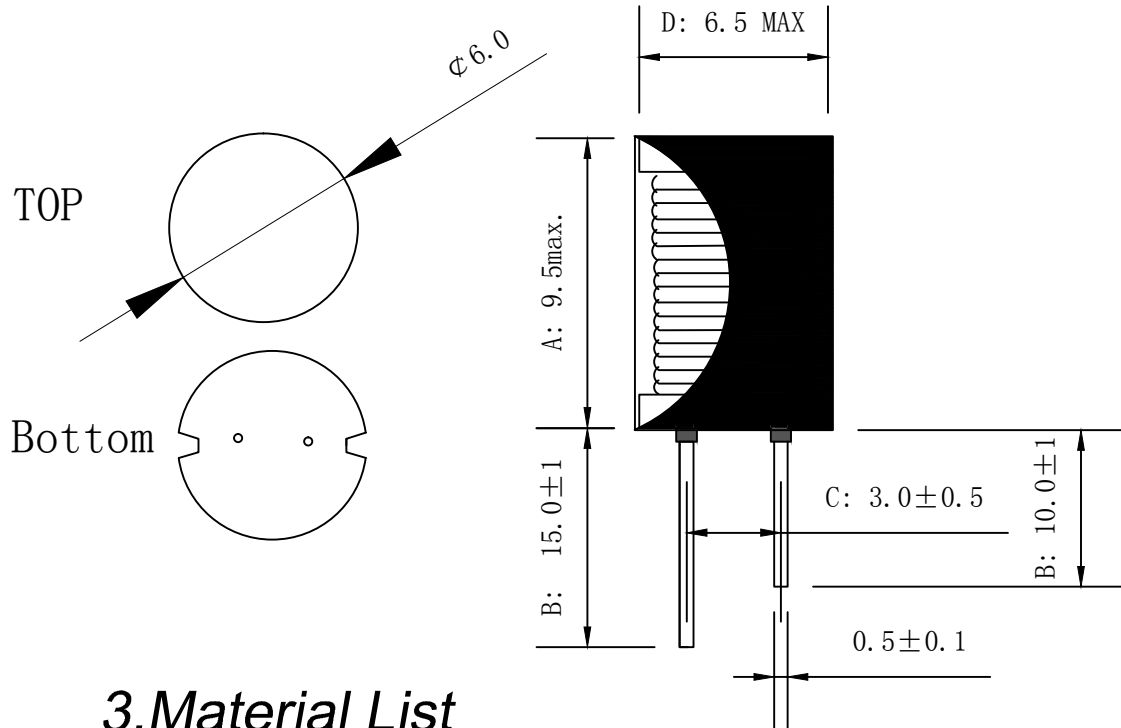


CUSTOMER TERMINAL	ROHS	Lead (Pb) -free
	YES	YES



### 1. Mechanical Dimensions (Unit: mm)

### 2. Schematic Diagram



### 3. Material List

Core: DR6\*8  
 Wire: 2UEW 0.10mm 155°C  
 Operating Temperature: -30 to 115°C

### 4. Electrical Specification

Inductance:  $L=4.7\text{mH}\pm 10\%$  1.0KHZ 0.3V  
 DCR: 17.81Ω max  
 IDC: 85mA

REV.	DATE	 Convention Placement	DRW.		Drawing Title: <b>INDUCTOR</b>	Part No: FWDR10608B-472K
0	08/11		CHK.			
<b>RoHS</b>		<a href="http://www.ferriwo.com">www.ferriwo.com</a>	APP.		Customer P/N: CW68-4700/85 472K	Specification Sheet 1 of 1