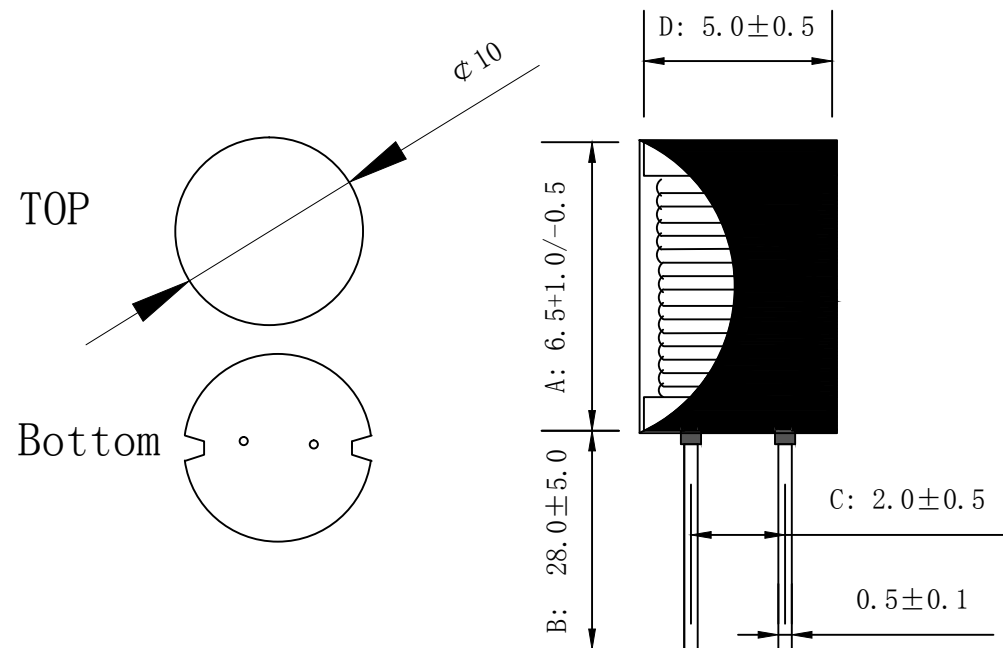


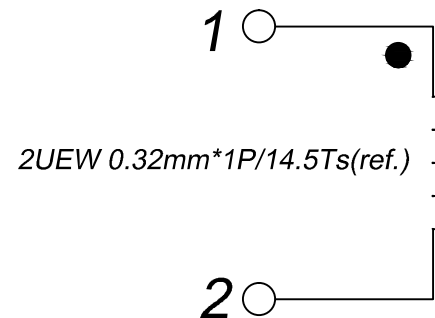
CUSTOMER TERMINAL	ROHS	Lead (Pb) -free
	YES	YES



### 1. Mechanical Dimensions (Unit: mm)



### 2. Schematic Diagram



### 3. Material List

Core: DR4\*6  
 Wire: 2UEW 0.32mm 155°C  
 Operating Temperature: -30 to 115°C

### 4. Electrical Specification

Inductance:  $L=4.7\mu H \pm 20\%$  100KHZ 1.0V  
 DCR: 0.35Ω max  
 IDC: 1.5A

REV.	DATE	 Convention Placement	DRW.	Wang Xiao Lin	Drawing Title: <b>INDUCTOR</b> Customer P/N: RLB0608-4R7ML	Part No:	FWDRI0406B-4R7M
0	03/20		CHK.	He Ping		Specification Sheet 1 of 1	
<b>RoHS</b> <a href="http://www.ferriwo.com">www.ferriwo.com</a>		APP.	Zhu Kan				